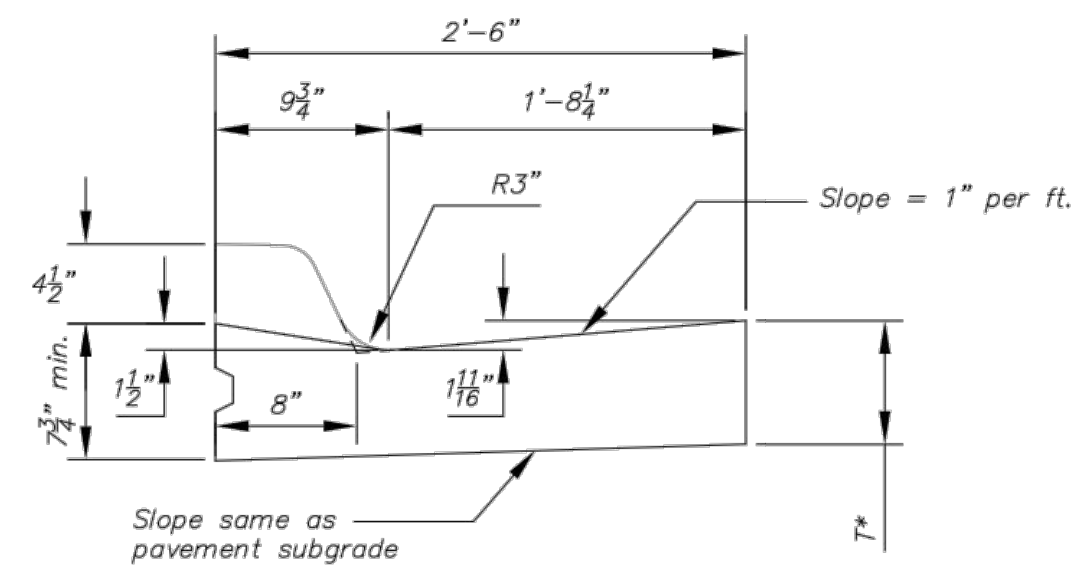
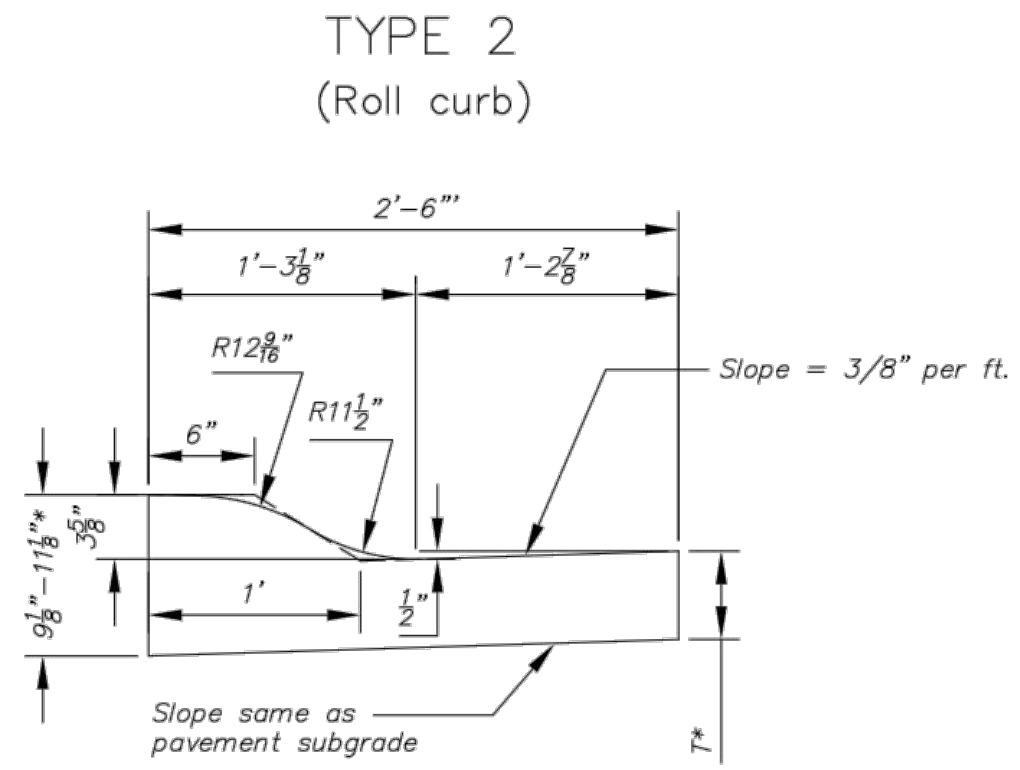


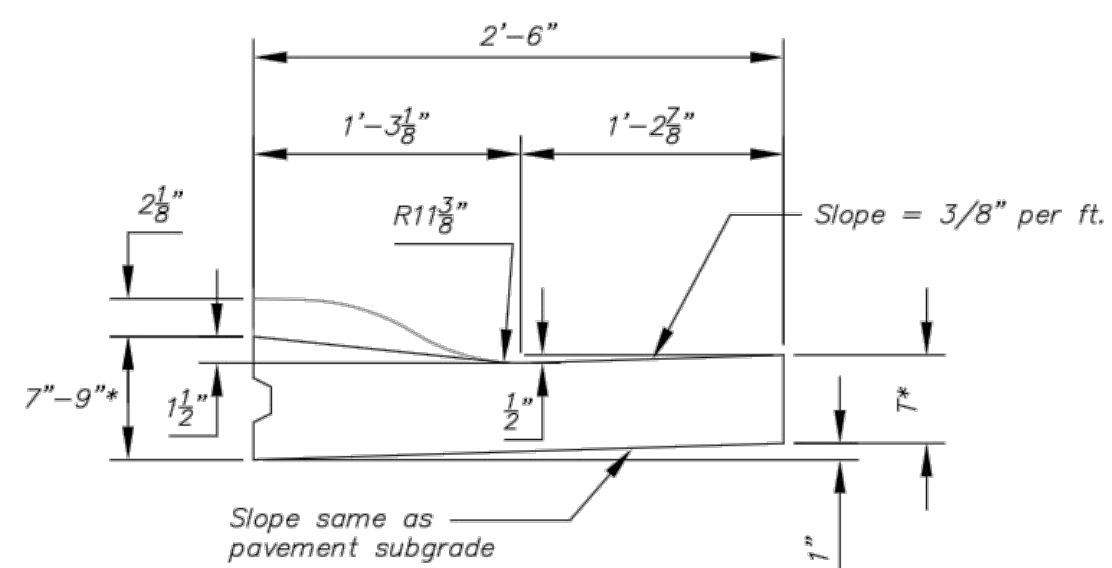
Combined Curb & Gutter (6")



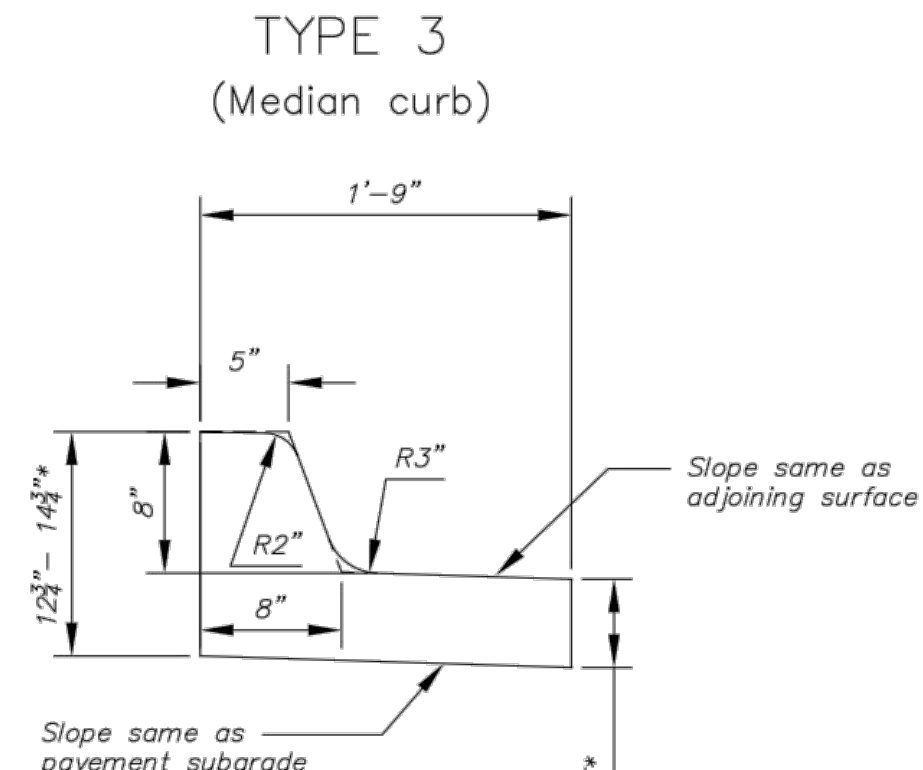
Combined Curb & Gutter (1 1/2")



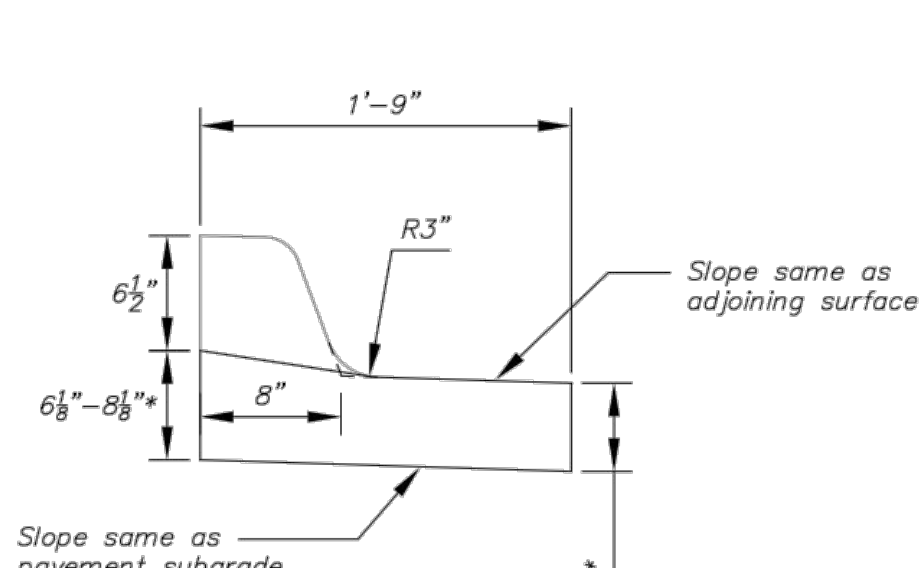
Combined Curb & Gutter (3 5/8")



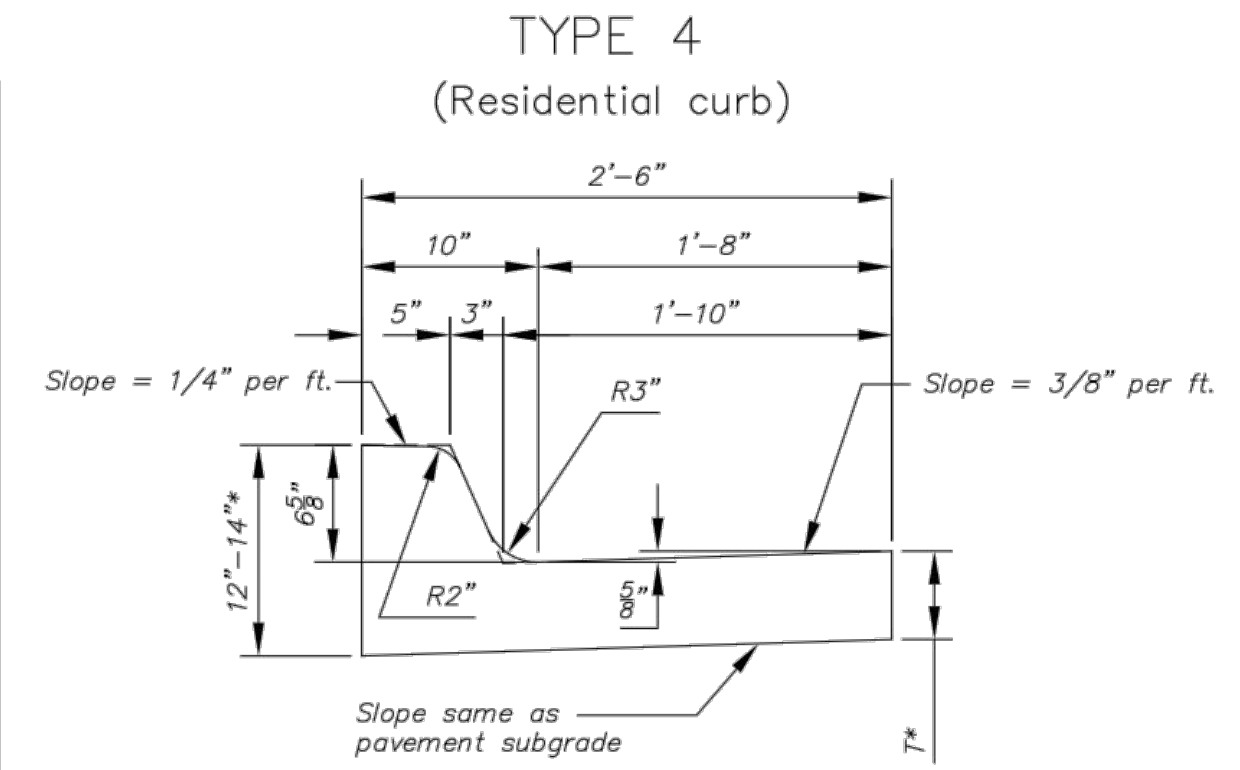
Combined Curb & Gutter (1 1/2")



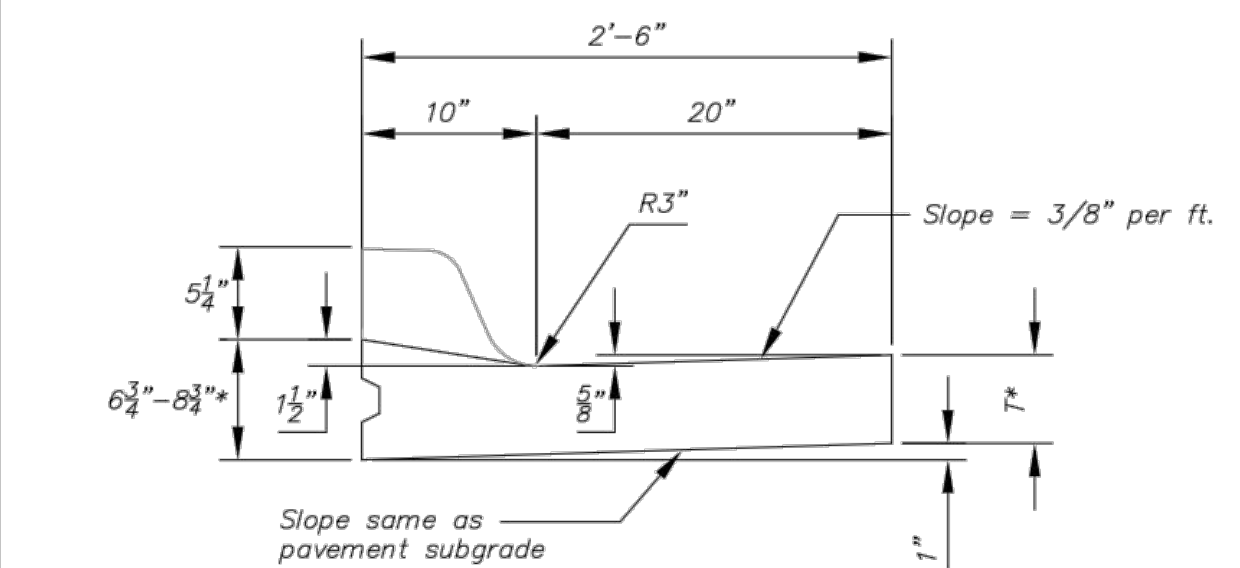
Combined Curb & Gutter (8")



Combined Curb & Gutter (1 1/2")



Combined Curb & Gutter (6 5/8")

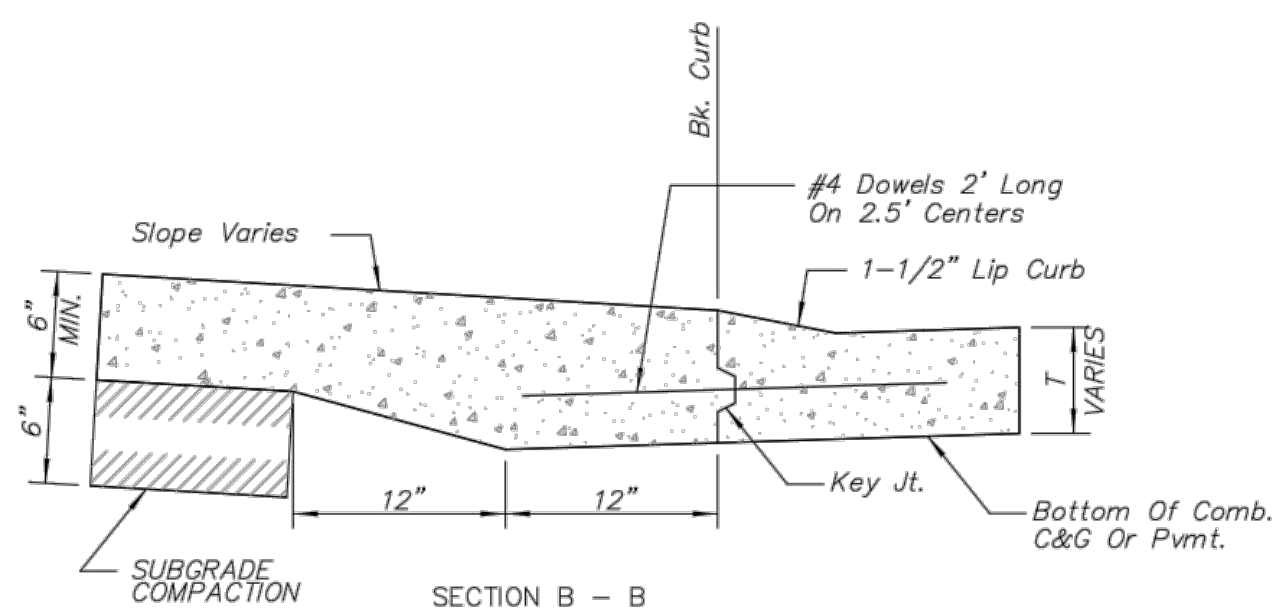


Combined Curb & Gutter (1 1/2")

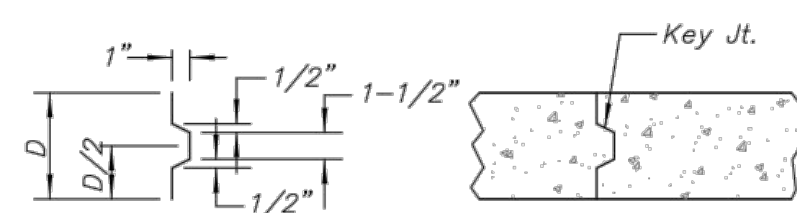
T\* = Thickness of curb to adjust with pavement thickness

GENERAL NOTES

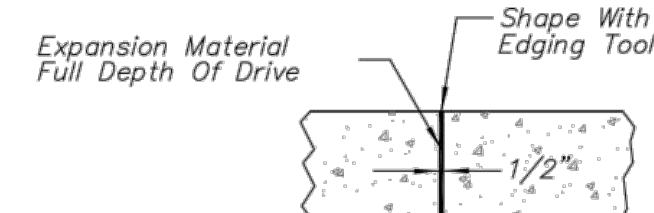
- Expansion (isolation) joints shall be constructed a maximum of 300' apart and at all PIs, PCs, cul-de-sac quadrants, and ends of returns.
- Contraction joints shall be constructed a minimum of 12' apart.
- Joint sealer shall be required at all joints on arterial and industrial streets and at intersections on residential streets.



SECTION B - B  
BACK OF CURB DETAIL



ALT. LONGITUDINAL CONSTRUCTION JOINT



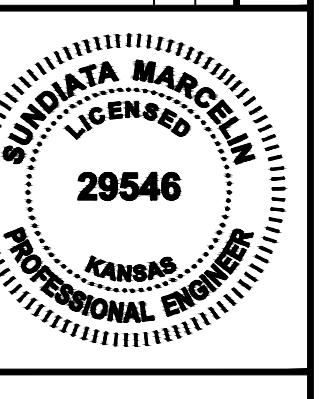
EXPANSION JOINT (E.J.)



<b>CURB &amp; GUTTER DETAILS</b>		
CITY ENGINEER <b>GARY JANZEN, P.E.</b>		
PROJECT NUMBER	OCA NUMBER	DATE 12/2010
CITY ENGINEER'S OFFICE CITY HALL - SEVENTH FLOOR 455 NORTH MAIN STREET WICHITA, KANSAS 67202-1620 (316) 268-4501		SHEET

SMM	CS	SMM
SMM	TDA	SMM
SMM	DSN	CHK

1	04/16/24	RFI & CITY COMMENTS	REV	DATE	DESCRIPTION
0	03/01/24	BIDDING	REV	DATE	DESCRIPTION



SUNDIATA MARCELIN  
ENGINEER  
KS # 29546

9139 E. 37TH STREET, NORTH  
WICHITA, KANSAS 67226  
PH. (316) 440-4304  
www.kaveing.com | www.kveing.com  
**KAW VALLEY ENGINEERING**  
KAW VALLEY ENGINEERING, INC., IS AUTHORIZED TO OFFER ENGINEERING  
SERVICES BY KANSAS STATE CERTIFICATE OF AUTHORIZATION # E-113.  
EXPIRES 12/31/24

**MAC MERIDIAN ADDITION**  
WEST MACARTHUR ROAD  
WICHITA, KANSAS 67217  
**PAVING & INCIDENTAL DRAINAGE IMPROV.**  
**CURB AND GUTTER DETAIL SHEET**

PROJ. NO. G21D1997	DESIGNER SMM	DRAWN BY TDA
CFN 1997ST_DET	SHEET 04	REV 1