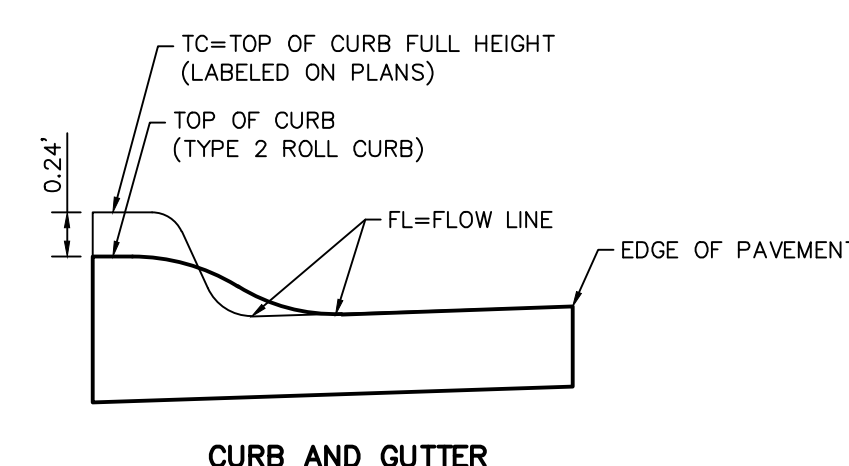
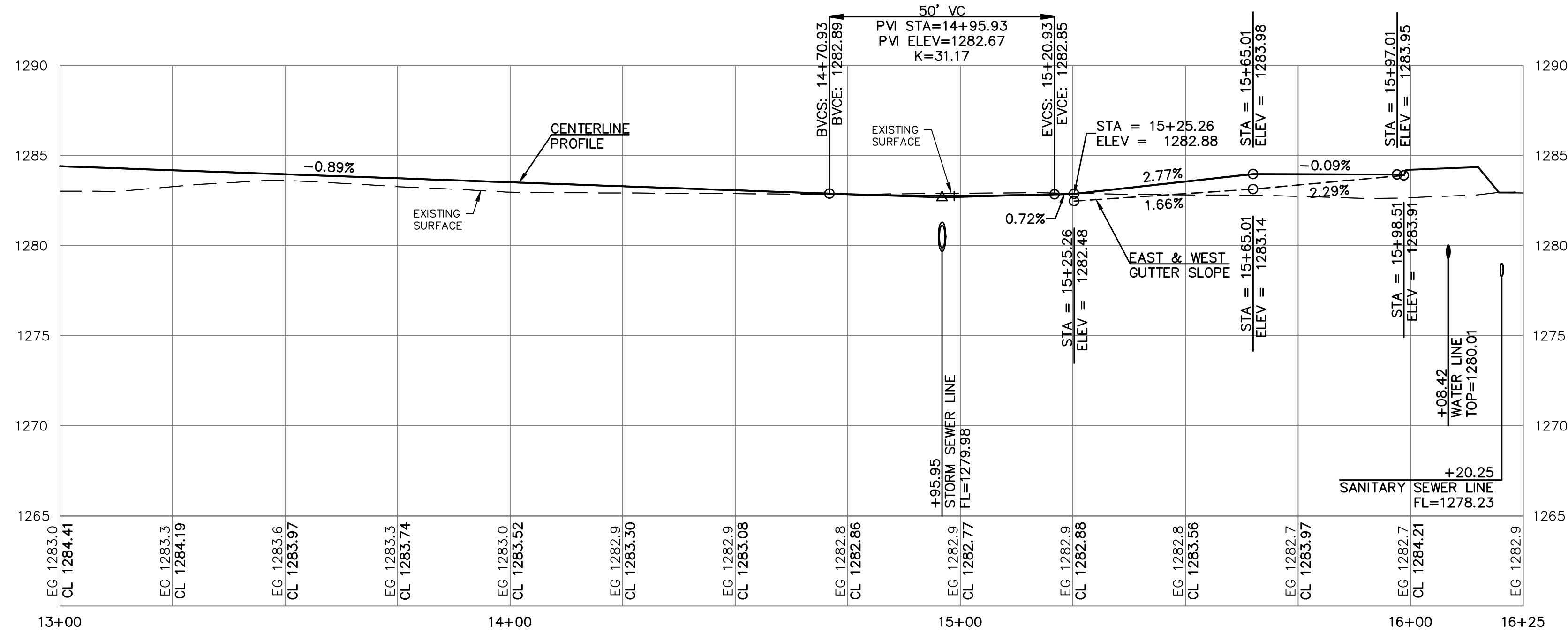


SCALE:
 PLAN: 1"=20'
 PROFILE: 1"=20' HORIZ.
 1"=5' VERT.

NOTE:
 1. STREET STATION AND OFFSET ARE REFERENCED TO CENTER OF STRUCTURE.

MACARTHUR COURT



NOTE:
 ALL TOP OF CURB & FLOW LINE ELEVATIONS ARE SHOWN USING THE TYPE 4 CURB (FULL HEIGHT). TO CALCULATE TOP OF CURB ELEVATION FOR TYPE 2 ROLL CURB SUBTRACT 0.24'. TO CALCULATE FLOW LINE THEN SUBTRACT 0.53' FROM TOP OF CURB ELEVATION. SEE DETAIL ABOVE. SEE CURB TYPE AND CURB STANDARD DETAILS ON SHEET ??.

PROJ. NO.	G21D1997
DESIGNER	SMM
DRAWN BY	TDA
CFN	1997STPP
SHEET	09
REV	1

REV	DATE	DESCRIPTION
1	04/16/24	RFI & CITY COMMENTS
0	03/01/24	BIDDING

SUNDIATA MARCELIN
 LICENSED PROFESSIONAL ENGINEER
 29546
 KANSAS
 ENGINEER
 KS # 29546

MAC MERIDIAN ADDITION
 WEST MACARTHUR ROAD
 WICHITA, KANSAS 67217

PAVING & INCIDENTAL DRAINAGE IMPROV.
 MACARTHUR COURT - PLAN & PROFILE

9139 E. 37TH STREET, NORTH
 WICHITA, KANSAS 67226
 PH. (316) 440-4304
 www.kaveg.com | www.kveing.com
KAW VALLEY ENGINEERING
 KAW VALLEY ENGINEERING, INC. IS AUTHORIZED TO OFFER ENGINEERING SERVICES BY KANSAS STATE CERTIFICATE OF AUTHORIZATION # E-113. EXPIRES 12/31/24