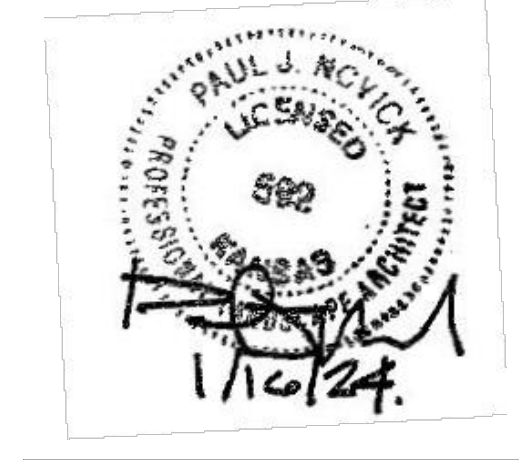


THE LINE SHOWN ABOVE IS EXACTLY ONE INCH LONG IN THIS SCALE UNLESS OTHERWISE NOTED.  
 THE SQUARE SYMBOLS ARE FOR COLOR WITH EACH AND WHITE LETTERS IF PRINTED CORRECTLY.  
 C M Y K  
 PROJECT LOCATION: S:\1-PROJECTS\2019\19305\_LW Clapp Park Master Plan\19305\_WORKING\AUTOCAD\SHEETS\SP403 DETAILS / SAVE DATE: 4/19/2024 9:29 AM BY: andrew hibzium / PLOT DATE: 4/19/2024 9:35 AM BY: andrew hibzium



Revision Schedule

No.	Date	Description



**MAKE:** DUMOR  
**MODEL:** 157-32SH-FTO  
**COLOR:** BLACK  
**PRODUCT:** 32 GALLON WITH SHIELD SIDE DOOR FLAT TOP LID  
**FINISH:** POWDER COAT

11 SP403 TRASH RECEPTACLE N.T.S.



**MAKE:** SUPERIOR RECREATION PRODUCTS  
**MODEL:** T8ULPERF-POLY  
**COLOR:** SEAT TO BE GREEN, FRAME TO BE BLACK.

**PRODUCT:** 8' LENGTH BENCH ON STANDARD TABLE. SEAT AND BACK TO BE 11GA PUNCHED STEEL. EXPANDED METAL IS NOT ACCEPTABLE. ALL HARDWARE TO BE STAINLESS STEEL. CORNERS TO HAVE 3" RADIUS. BACKLESS OPTION ONLY AT PLAYGROUND LOCATION, ALL OTHER LOCATIONS TO HAVE BACK REST.

7 SP403 8' PARK PICNIC TABLES N.T.S.



**NOTES:**  
 1. INSTALL PER MANUFACTURER SPECIFICATIONS  
 2. PRODUCT: 3 POINT SAIL  
 3. COLOR TO BE DETERMINED  
 4. MANUFACTURER: MODERN SHADE (OR APPROVED EQUAL)  
 5. SHADE SAIL TO HAVE 100 WIND LOAD RATING AND 20 PSF SNOW LOAD RATING.  
 6. NO PULLEY SYSTEMS WILL BE ALLOWED.

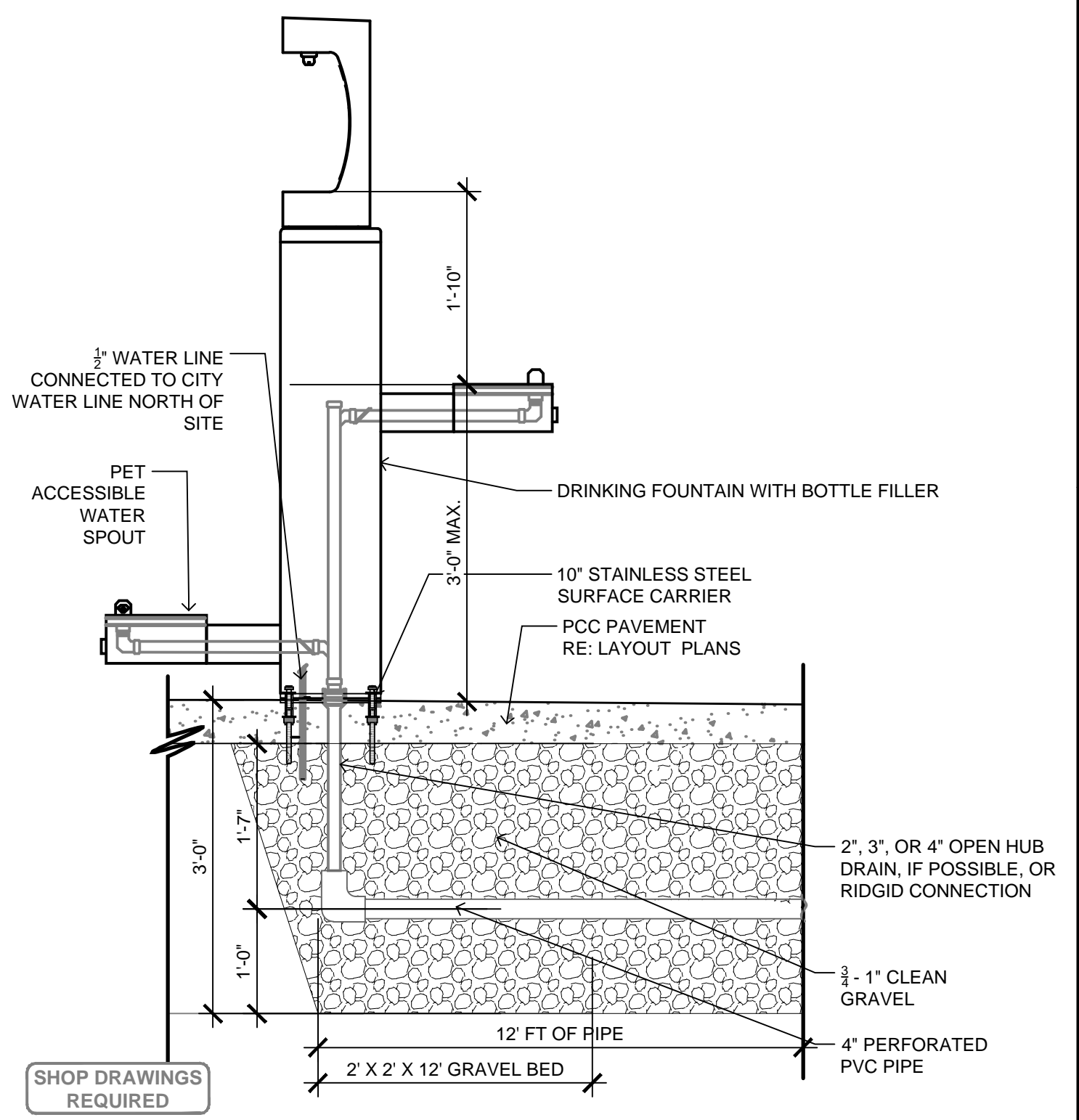
10 SP403 3 POINT SHADE SAIL N.T.S.



**MAKE:** SUPERIOR RECREATION PRODUCTS  
**MODEL:** B6WBULPERFS-POLY  
**COLOR:** SEAT TO BE GREEN, FRAME TO BE BLACK.

**PRODUCT:** 6' LENGTH BENCH, 15" WIDE SEAT. SEAT AND BACK TO BE 11GA PUNCHED STEEL. EXPANDED METAL IS NOT ACCEPTABLE. ALL HARDWARE TO BE STAINLESS STEEL. CORNERS TO HAVE 3" RADIUS. BACKLESS OPTION ONLY AT PLAYGROUND LOCATION, ALL OTHER LOCATIONS TO HAVE BACK REST.

6 SP403 6' PARK BENCH WITH BACK N.T.S.

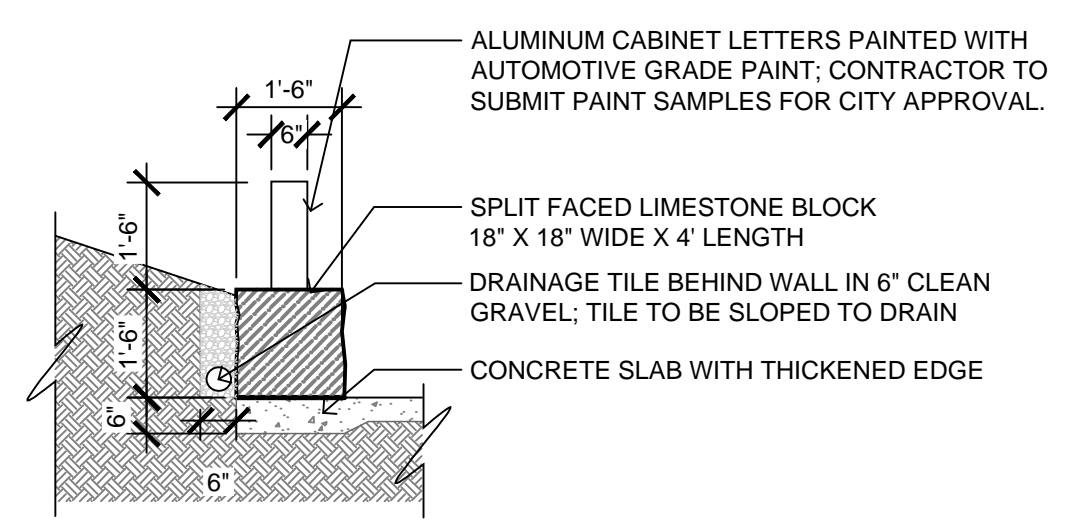


3 SP403 WATER FOUNTAIN/BOTTLE FILLER SCALE: 3/4" = 1'-0"

**MAKE:** SUPERIOR RECREATION PRODUCTS  
**MODEL:** HORSE SHOE BIKE RACK  
**FINISH & COLOR:** FINISH TO BE TEXTURED POLYETHYLENE. CONTRACTOR TO SUBMIT COLOR OPTIONS FOR SELECTION BY CLIENT PRIOR TO PURCHASING.  
**MOUNTING:** SURFACE MOUNT  
**PRODUCT:** 37"x42" FABRICATED 11GA STEEL TUBING BIKE RACK. EXPANDED METAL IS NOT ACCEPTABLE. ALL HARDWARE TO BE STAINLESS STEEL.  
**QUANTITY:** 5



**NOTES:**  
 CONTRACTOR TO SUBMIT SHOP DRAWINGS FOR APPROVAL PRIOR TO PROCUREMENT.  
**MAKE:** US STONE  
**PRODUCT:** DOVER LEDGE, SPLIT FACED AND SAWN TOP AND BOTTOM

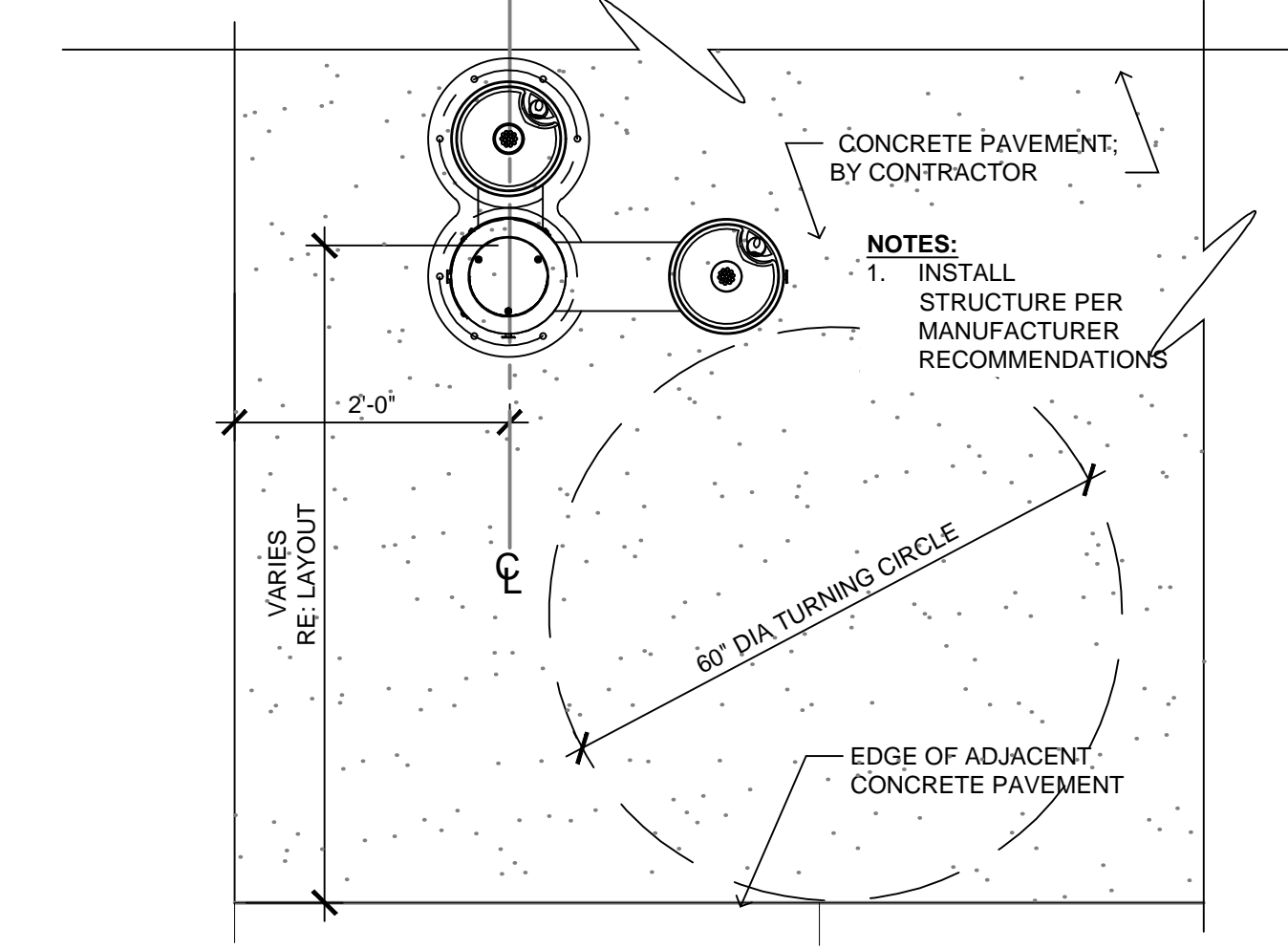


9 SP403 MONUMENT SIGN SECTION (ADD ALT 1) SCALE: 3/8" = 1'-0"



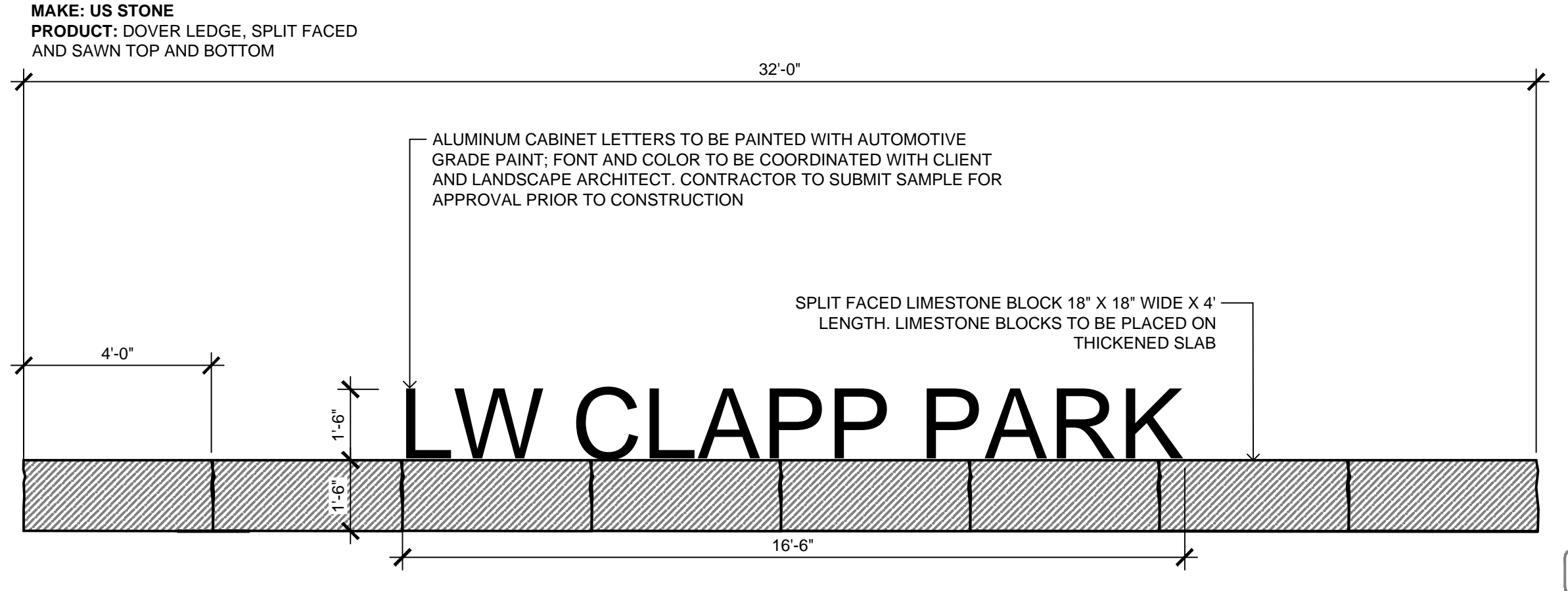
**MAKE:** MUTT MITT  
**MODEL:** ITEM 1000 OR APPROVED EQUAL  
**COLOR:** GREEN  
**PRODUCT:** COMMERCIAL GRADE ALUMINUM DISPENSER WITH LOCKING LID AND RAINWIND GUARD OVER HAND HOLE  
**POST:** 2" SQUARE GALVANIZED STEEL POST, 8' LENGTH WITH PUNCHED HOLES FOR ATTACHING DISPENSER AND SIGN

5 SP403 DOG WASTE BAG DISPENSER STATION N.T.S.

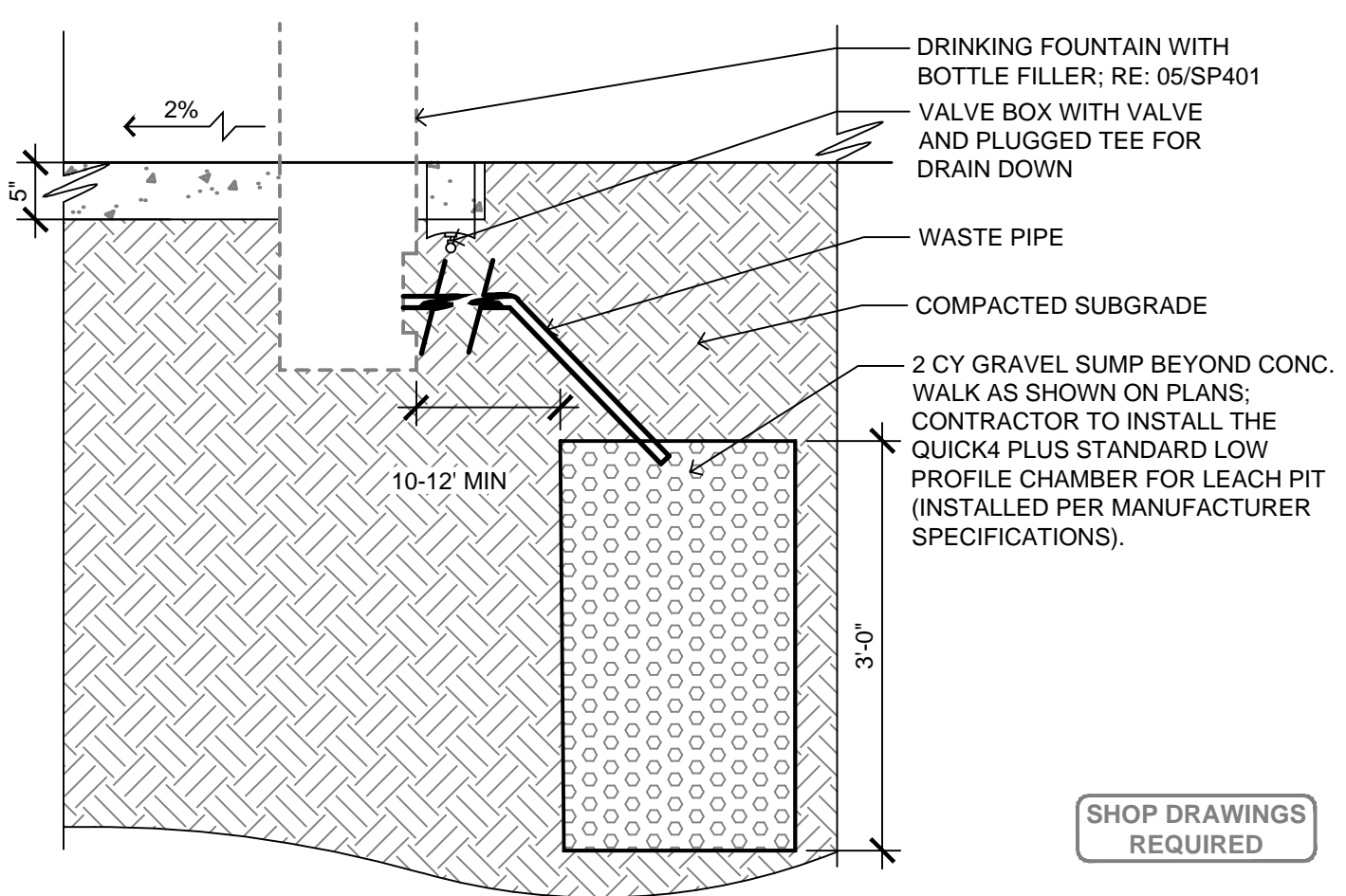


2 SP403 PLAN: WATER FOUNTAIN & BOTTLE FILLER SCALE: 3/4" = 1'-0"

11 SP403 BIKE RACK N.T.S.

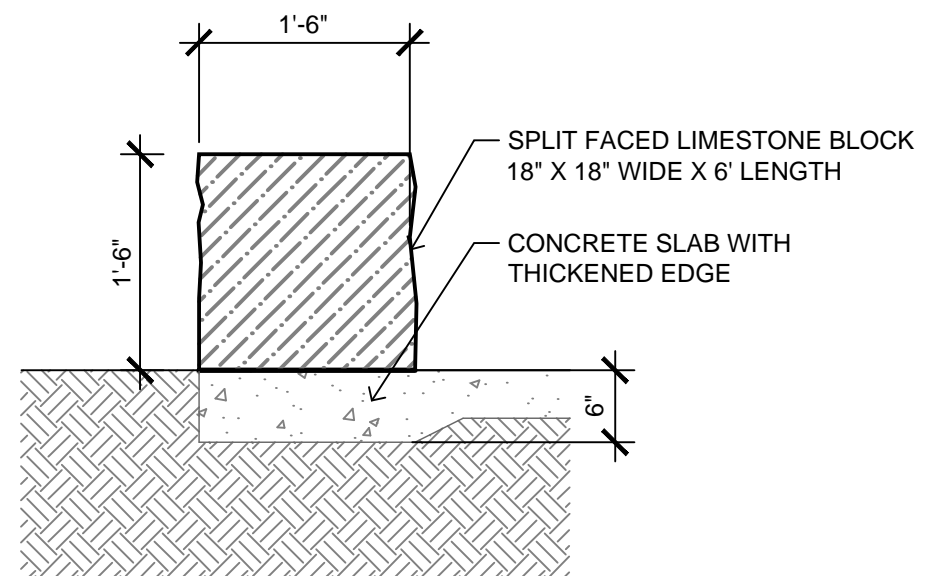


8 SP403 MONUMENT SIGN ELEVATION (ADD ALTERANTE 1) SCALE: 3/8" = 1'-0"



4 SP403 SECTION: DRINKING FOUNTAIN SUMP SCALE: 3/4" = 1'-0"

**MAKE:** FLINT HILLS STONE  
 26576 Fairfield Road, McFarland, KS  
 flinthillstone@gmail.com  
 785-313-4845  
**PRODUCT:** DOVER LEDGE, SPLIT FACED AND SAWN TOP AND BOTTOM



1 SP403 LIMESTONE BLOCK SEATING SCALE: 3/4" = 1'-0"

**L.W. CLAPP PARK**  
 CITY OF WICHITA  
 4611 E HARRY STREET  
 WICHITA, KS 67218

Project Number 19305  
 Issue 100% CONSTRUCTION DOCUMENTS  
 Date 2024-01-26

SITE AMENITIES DETAILS

**SP403**