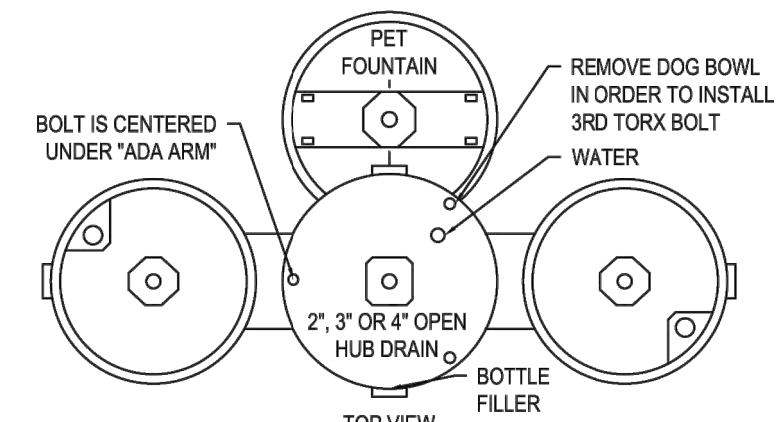
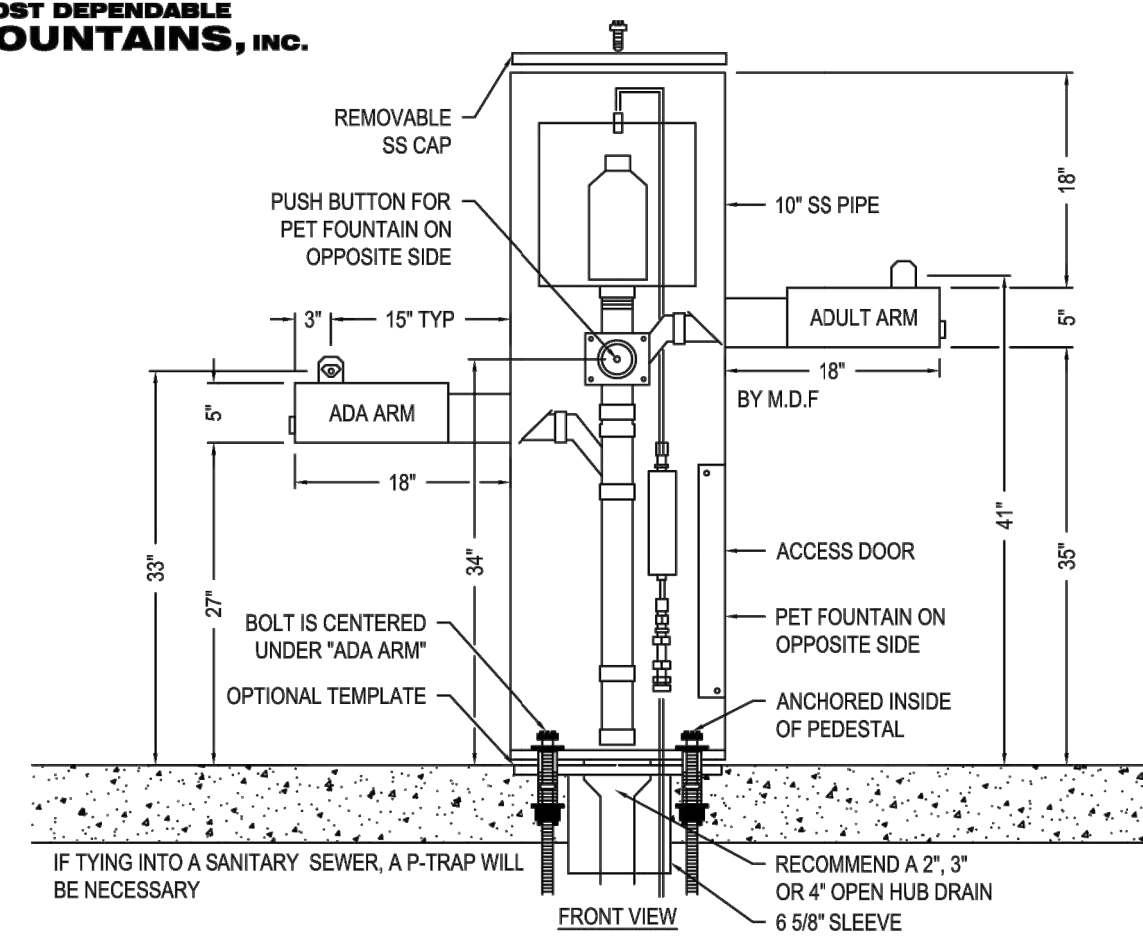




MOST DEPENDABLE FOUNTAINS, INC.
 5705 COMMANDER DR. P.O. BOX 587
 ARLINGTON, TN 38002-0587
 PHONE: (901) 867-0039
 www.mostdependable.com



- NOTES:**
1. INSTALLATION TO BE COMPLETED IN ACCORDANCE WITH MANUFACTURER'S SPECIFICATIONS.
 2. NOTE TO ARCHITECT, SCALE DRAWING IN AUTOCAD MODEL SPACE.
 3. THIS DRAWING IS INTENDED FOR USE BY ARCHITECTS, ENGINEERS, CONTRACTORS, CONSULTANTS AND DESIGN PROFESSIONALS FOR PLANNING PURPOSES ONLY. THIS DRAWING MAY NOT BE USED FOR CONSTRUCTION.
 4. ALL INFORMATION CONTAINED HEREIN WAS CURRENT AT THE TIME OF DEVELOPMENT BUT MUST BE REVIEWED AND APPROVED BY THE PRODUCT MANUFACTURER TO BE CONSIDERED ACCURATE.
 5. CONTRACTOR'S NOTE: FOR PRODUCT AND COMPANY INFORMATION VISIT www.CADdetails.com/info AND ENTER REFERENCE NUMBER 3354-17.52

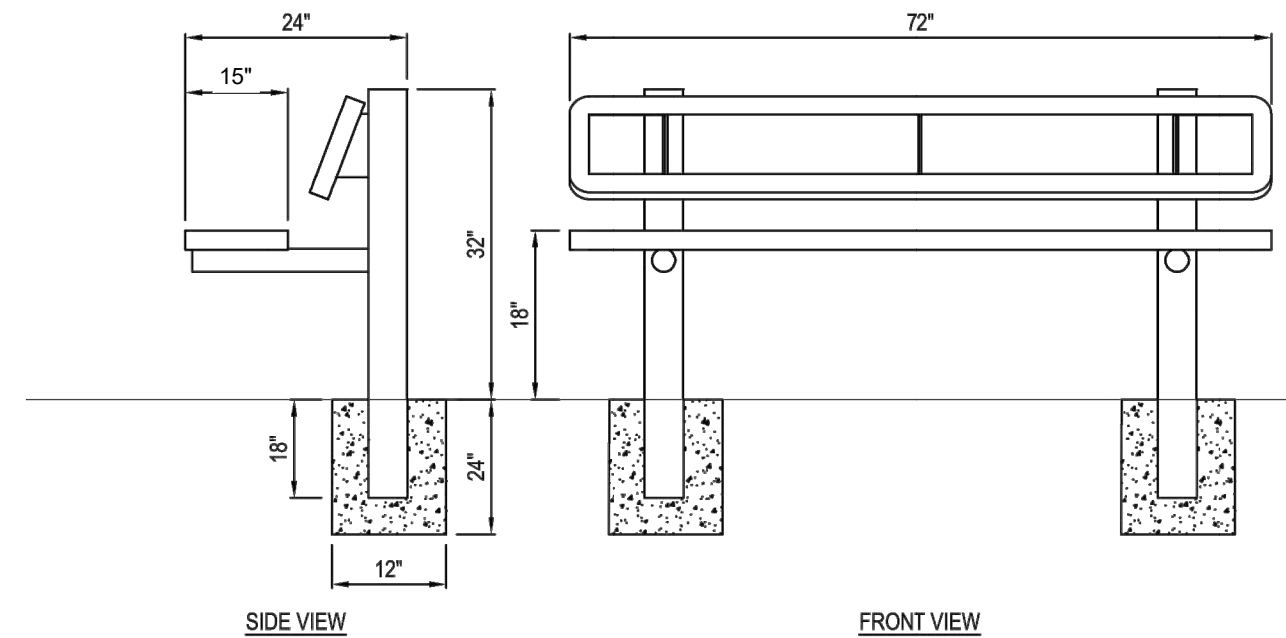
MODEL 10145 SM
 SHOWN W/ OPTIONAL PET FOUNTAIN

3354-17.52 CADdetailsPLUS™ REVISION DATE 22/07/2019
 PROTECTED BY COPYRIGHT ©2019 CADDETAILS.COM LTD. CADdetails.com

1 ACCESSIBLE DRINKING FOUNTAIN
 SCALE: NONE



SUPERIOR RECREATIONAL PRODUCTS
 SHELTER AND SITE AMENITIES
 1050 COLUMBIA DR.
 CARROLLTON, GA 30117
 TOLL FREE: 1-800-327-8774



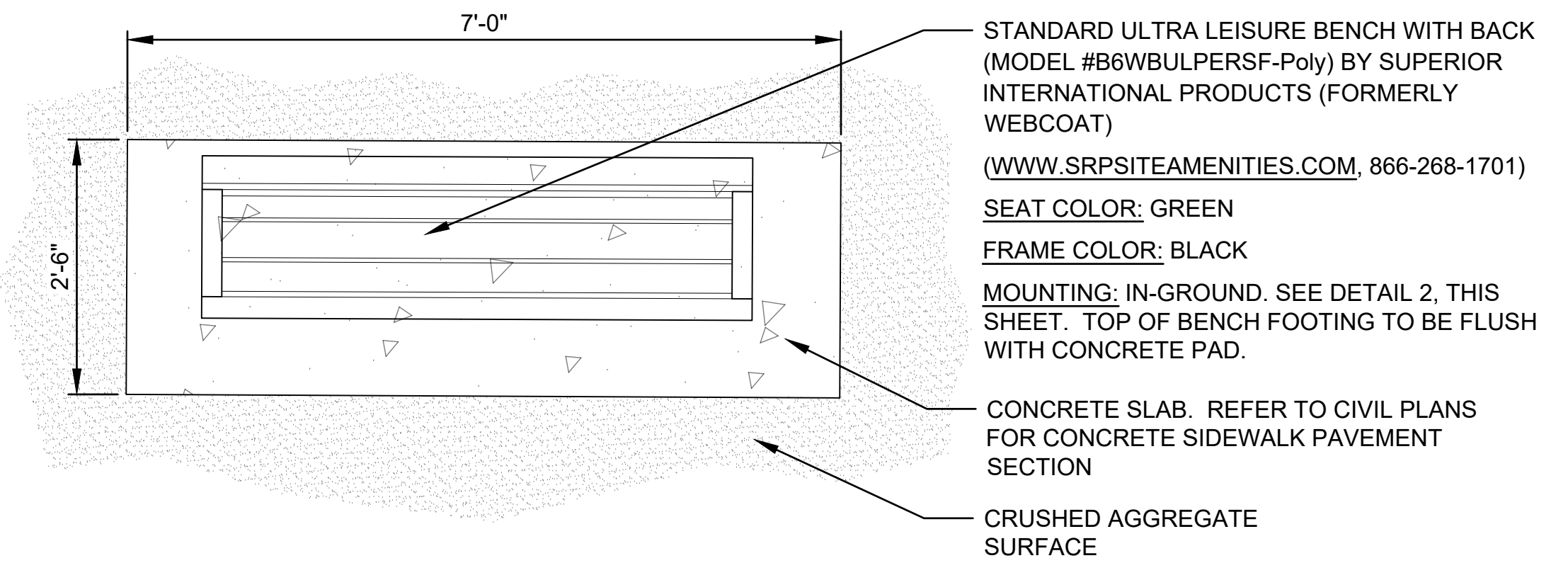
- SPECIFICATIONS:**
- 6\"/>

- NOTES:**
1. ALL DRAWINGS ARE PRELIMINARY ONLY, NOT TO BE USED FOR INSTALLATION OF ANY KIND.
 2. INSTALLATION TO BE COMPLETED IN ACCORDANCE WITH MANUFACTURER'S SPECIFICATIONS.
 3. DO NOT SCALE DRAWING.
 4. THIS DRAWING IS INTENDED FOR USE BY ARCHITECTS, ENGINEERS, CONTRACTORS, CONSULTANTS AND DESIGN PROFESSIONALS FOR PLANNING PURPOSES ONLY. THIS DRAWING MAY NOT BE USED FOR CONSTRUCTION.
 5. ALL INFORMATION CONTAINED HEREIN WAS CURRENT AT THE TIME OF DEVELOPMENT BUT MUST BE REVIEWED AND APPROVED BY THE PRODUCT MANUFACTURER TO BE CONSIDERED ACCURATE.
 6. CONTRACTOR'S NOTE: FOR PRODUCT AND COMPANY INFORMATION VISIT www.CADdetails.com/info AND ENTER REFERENCE NUMBER 175-409.

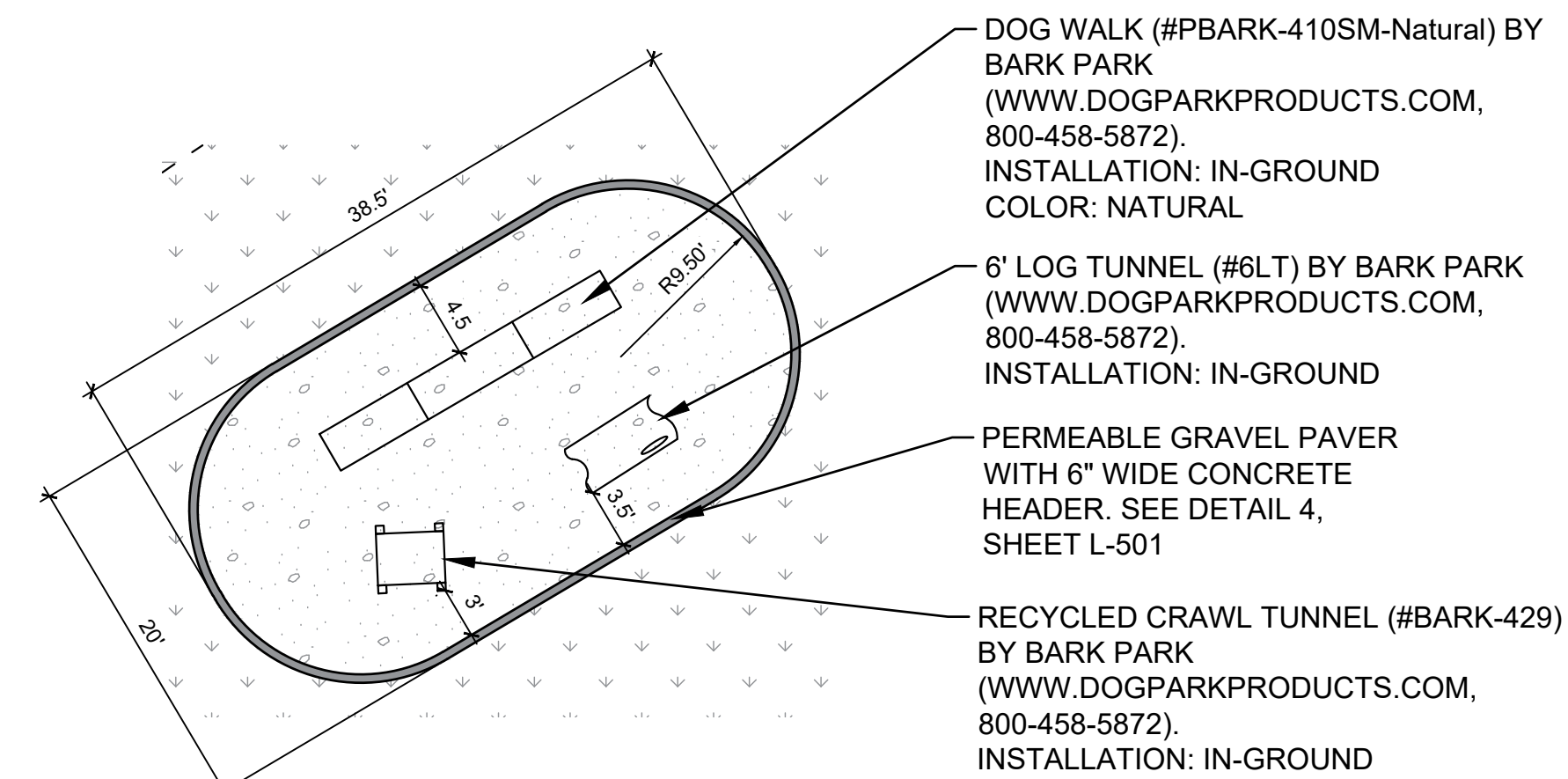
SITE AMENITIES: PERFORATED BENCHES
 6 FT. 4.4 PERFORATED SURFACE MOUNT BENCH (B6WBULPERSF-Poly)

175-409 REVISION DATE 11/02/2021
 PROTECTED BY COPYRIGHT ©2021 CADDETAILS.COM LTD. CADdetails.com

2 BENCH IN-GROUND MOUNTING DETAIL
 SCALE: NONE

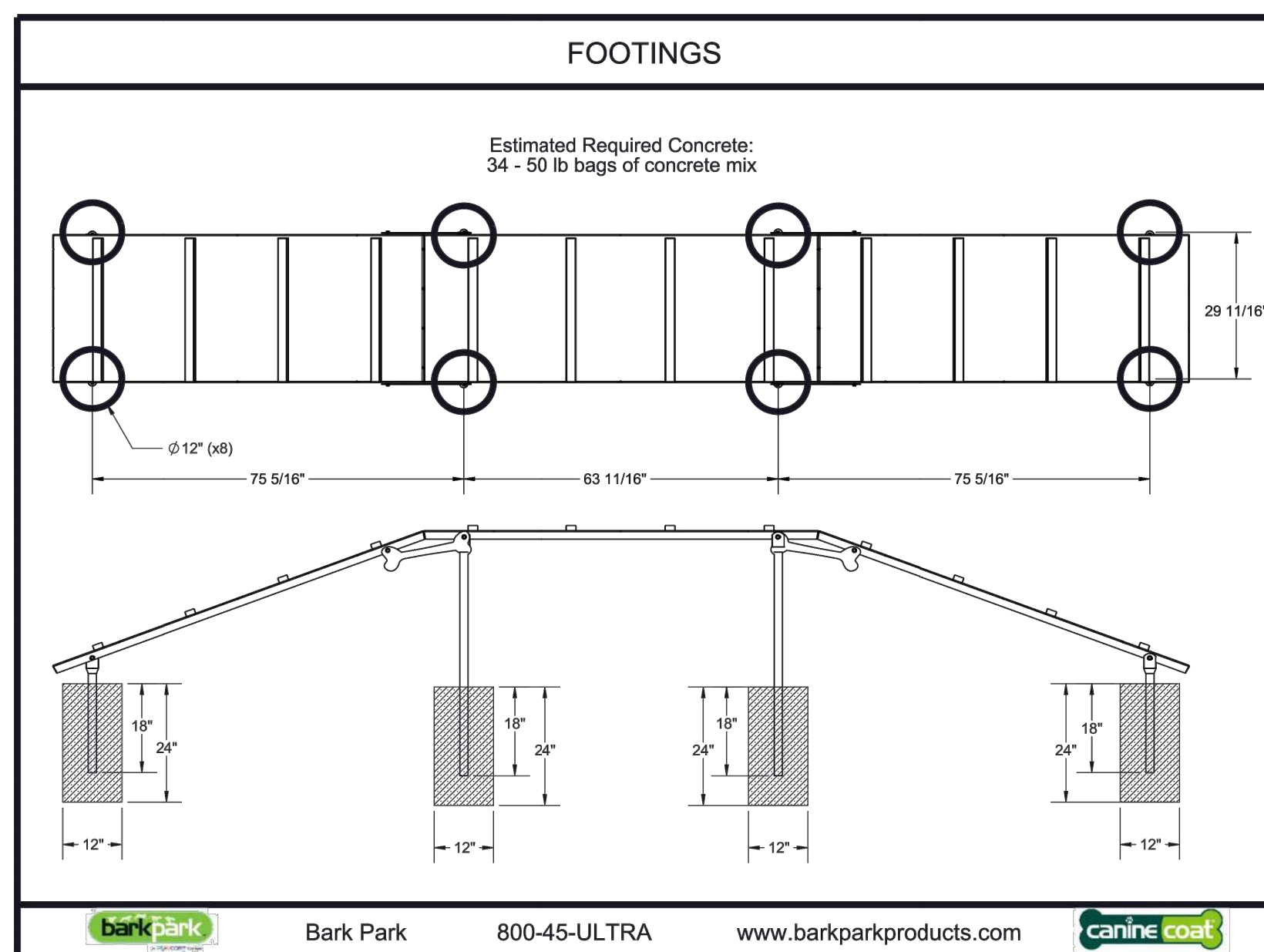


3 CONCRETE PAD FOR BENCH
 SCALE: NONE



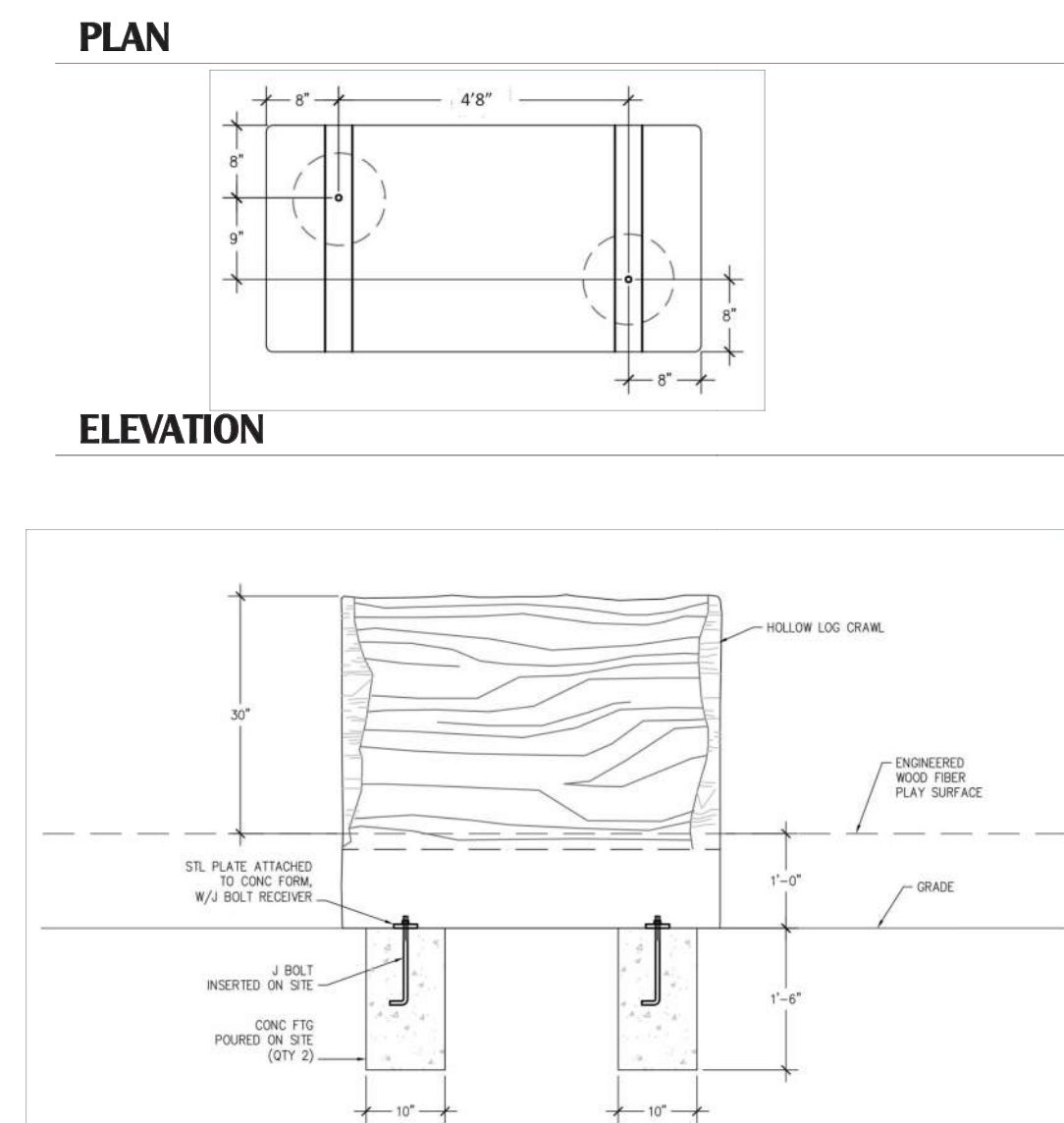
NOTE:
 THIS BID OPTION INCLUDES ALL ALL LABOR AND MATERIALS NECESSARY TO CONSTRUCT OR INSTALL ELEMENTS SHOWN IN LAYOUT. DOG AGILITY PLAY AREAS WOULD BE LOCATED IN NORTH AND SOUTH PENS (2 LOCATIONS TOTAL)

4 DOG AGILITY PLAY AREA LAYOUT (BID ALT. #2)
 SCALE: 1" = 10'



9/26/2019 Page 12 of 13
 bark park Bark Park 800-45-ULTRA www.barkparkproducts.com canine coat

5 DOG AGILITY PLAY AREA- DOG WALK RAMP (BID ALT. #2)
 SCALE: NONE

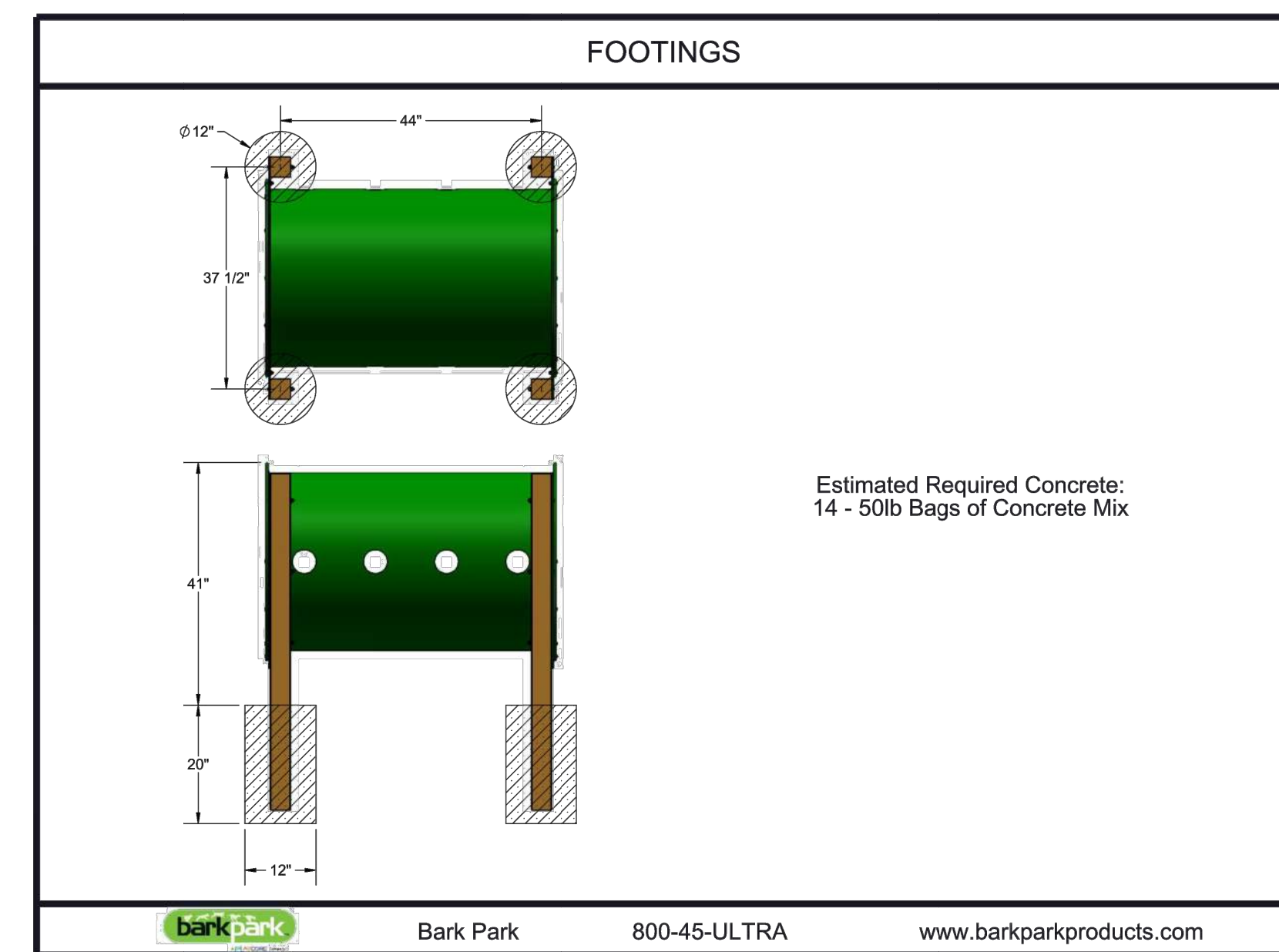


6' Log Tunnel 6LT

NatureROCKS™
 A boulder way to play!™

ultraPLAY
 A PLAINCORE Company

6 DOG AGILITY PLAY AREA- LOG TUNNEL (BID ALT. #2)
 SCALE: NONE



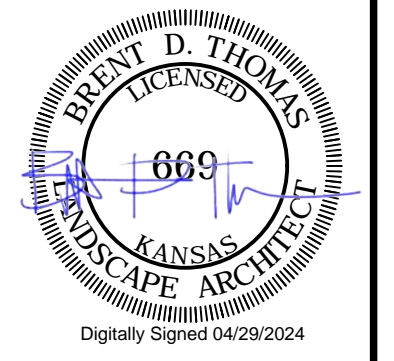
3/20/2017 Page 10 of 11
 bark park Bark Park 800-45-ULTRA www.barkparkproducts.com

6 DOG AGILITY PLAY AREA- RECYCLED CRAWL TUNNEL (BID ALT. #2)
 SCALE: NONE



© 2024 GARVER, LLC
 THIS DOCUMENT, ALONG WITH THE IDEAS AND DESIGNS CONVEYED HEREIN, SHALL BE CONSIDERED INSTRUMENTS OF PROFESSIONAL SERVICE AND ARE PROPERTY OF GARVER, LLC. ANY USE, REPRODUCTION, OR DISTRIBUTION OF THIS DOCUMENT, ALONG WITH THE IDEAS AND DESIGN CONTAINED HEREIN, IS PROHIBITED UNLESS AUTHORIZED IN WRITING BY GARVER, LLC OR EXPLICITLY ALLOWED IN THE GOVERNING PROFESSIONAL SERVICES AGREEMENT FOR THIS WORK.

1995 Midfield Road
 Wichita, KS 67209
 (316) 264-8008



REV.	DATE	DESCRIPTION	BY

CITY OF WICHITA
 DEPT. OF PARK & RECREATION
 WICHITA, KANSAS

2024 PARK FACILITY
 ENHANCEMENTS-
 K9 ROOSTER DOG PARK
 ENHANCEMENTS

LANDSCAPE DETAILS 02

JOB NO.: 2302060
 DATE: MAY 2024
 DESIGNED BY: BDT
 DRAWN BY: HG

BAR IS ONE INCH ON ORIGINAL DRAWING
 0 1" = 1'
 IF NOT ONE INCH ON THIS SHEET, ADJUST SCALES ACCORDINGLY.

DRAWING NUMBER
L-502
 SHEET NUMBER

File: L:\2023\F02-2302060 - Meridian Dog Park Enhancements\Drawings\MER-L501.dwg Last Save: 4/29/2024 11:26 AM Last saved by: BCGillespie
 Last plotted by: Gillespie, Bailey I. Plot Style: AECmonochrome.ctb Plot Date: 4/29/2024 11:41 AM Plotter used: None