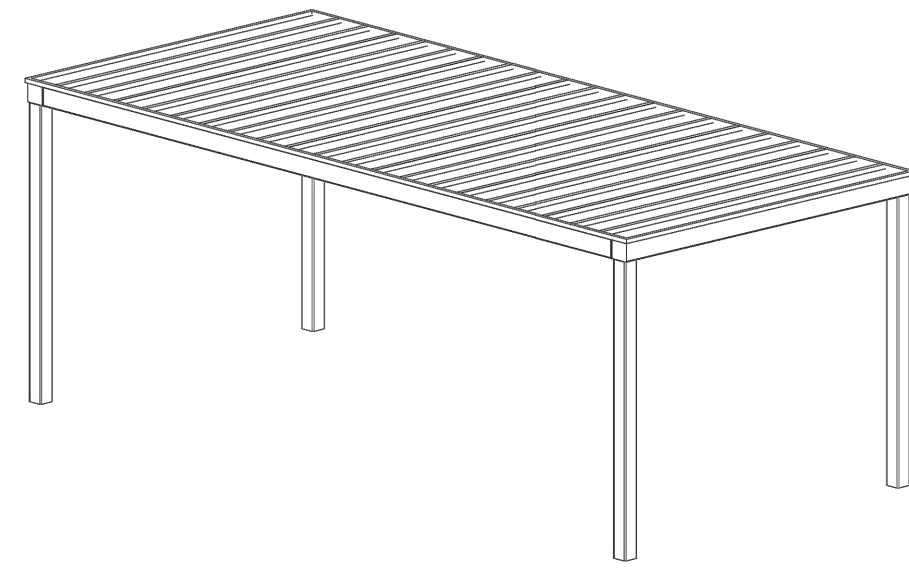


**SUPERIOR**  
RECREATIONAL PRODUCTS

PROJECT: TBD  
LOCATION: TBD  
BUILDING TYPE: MSL1021-AS  
ROOF TYPE: MULTI-RIB

**DRAWING LIST:**

SHEET NUMBER	DRAWING DESCRIPTION
CS	COVER SHEET
1	ARCHITECTURAL ELEVATIONS
2	STRUCTURAL FRAMING PLAN
3	COLUMN LAYOUT



**FABRICATION APPROVALS:**  
CITY OF HOUSTON, TX APPROVED FABRICATION #2024-0012  
CITY OF HOUSTON, TX APPROVED FABRICATION #2024-0013  
CITY OF HOUSTON, TX APPROVED FABRICATION #2024-0014  
STATE OF UTAH APPROVED FABRICATION #2024-14

**CERTIFICATION:**  
INTERNATIONAL CERTIFICATE OF COMPETENCY NO. 13-0813-16  
POLYMER CONCRETE INSTITUTE (PCI) CERTIFIED

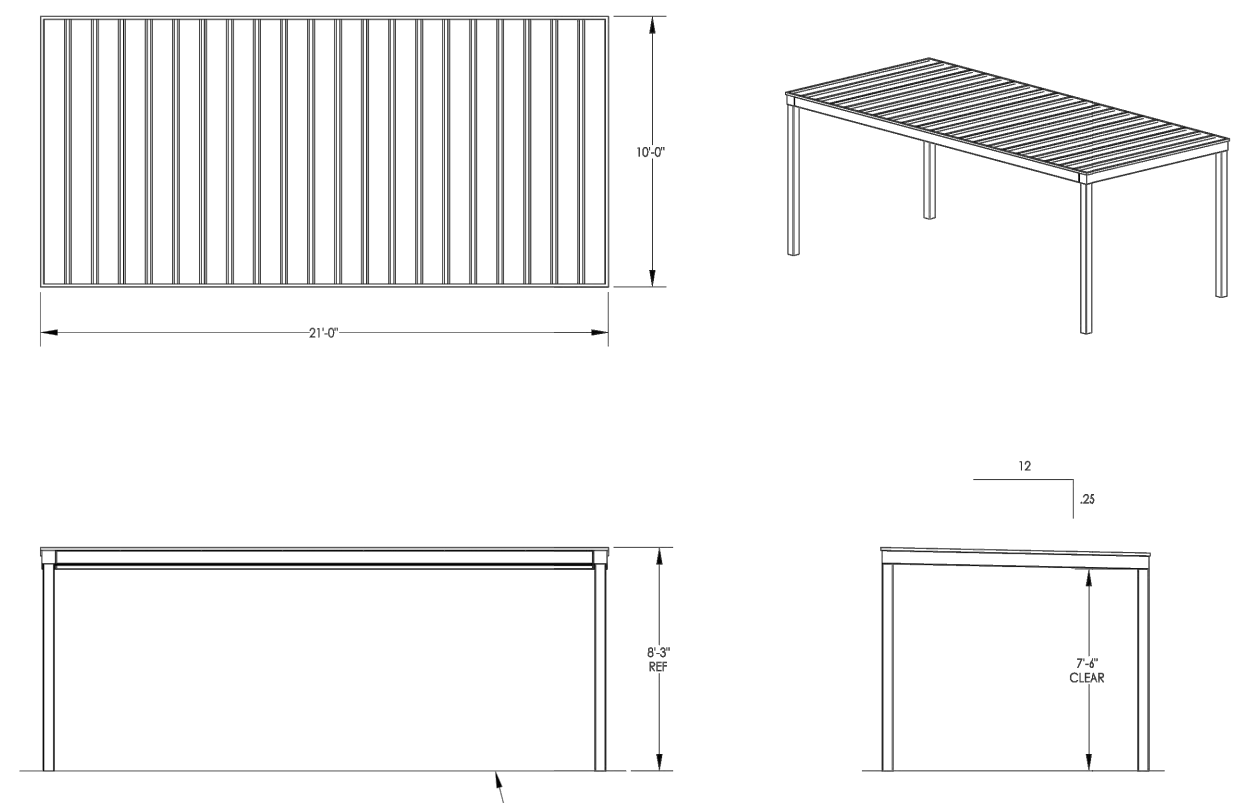
**MATERIALS:**  
SHEATHING: ALUMINUM  
ROOF TYPE: ALUMINUM  
ROOF PANELS (STEEL): ALUMINUM

**GENERAL NOTES:**  
1. THIS STRUCTURE IS DESIGNED TO BE USED AS A SHADE STRUCTURE. IT IS NOT TO BE USED AS A COVER FOR ANY OTHER PURPOSES.  
2. ALL DIMENSIONS ARE TO FACE UNLESS NOTED OTHERWISE.  
3. FINISH GRADE MOUNTING VARIES BASED ON ENGINEERING REQUIREMENTS.

**FOR PROPER FIELD INSTALLATION OF THE BUILDING IT IS RECOMMENDED THAT THE PRIMARY FRAMING BE INSTALLED AND THE ROOF BE INSTALLED THEREAFTER. REFER TO THE SHIPPING BILL OF MATERIALS FOR POSSIBLE SUBSTITUTIONS.**

**STOP!! NOT FOR CONSTRUCTION**  
USE FOR PRELIMINARY PLANNING AND ESTIMATING ONLY

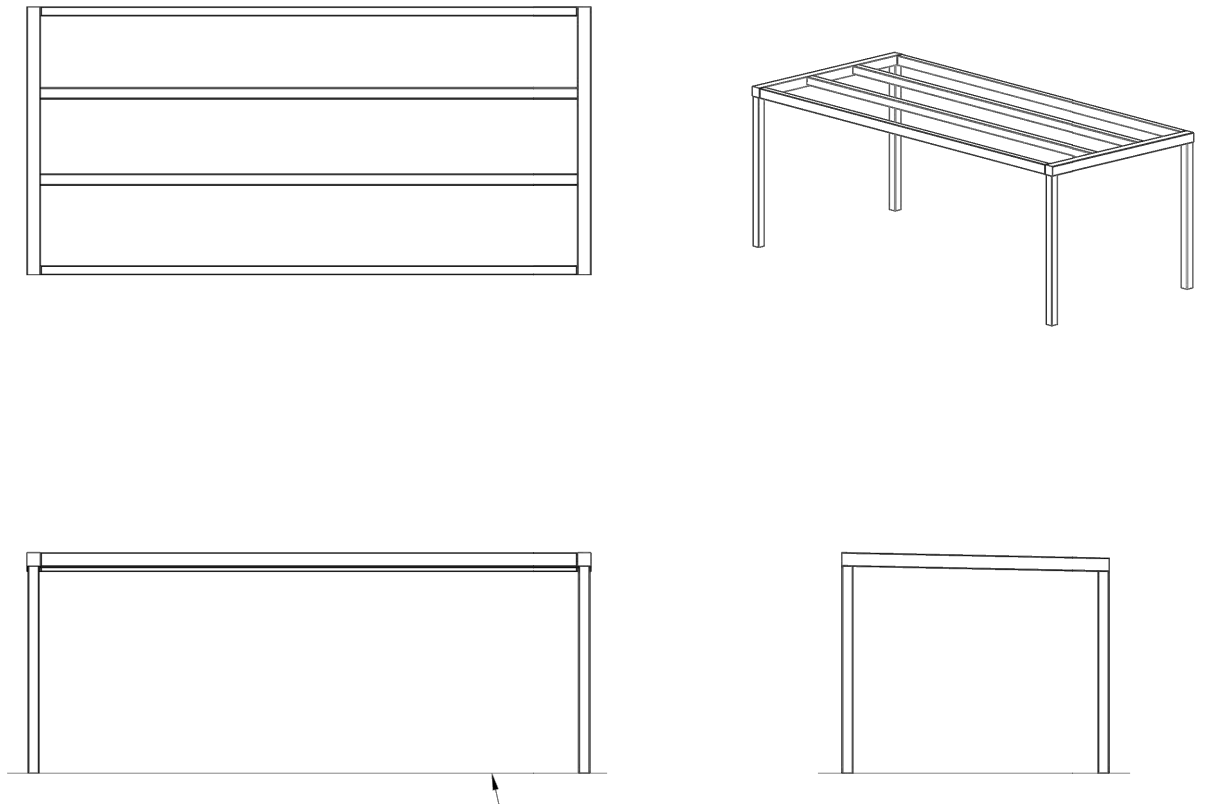
DATE: 04/29/2024  
TIME: 11:41 AM  
DRAWN BY: BDT  
CHECKED BY: BDT  
SUPERIOR RECREATIONAL PRODUCTS  
1865341-4264  
www.superiorrecre.com



**GENERAL ROOF NOTE:**  
1. METAL ROOFING:  
• 24 GAUGE  
• GALVALUME COATED  
• OTHER 300 PAINTED  
• TRIM COLOR MATCHES ROOF  
SEE SUPERIOR.COM FOR COLOR OPTIONS

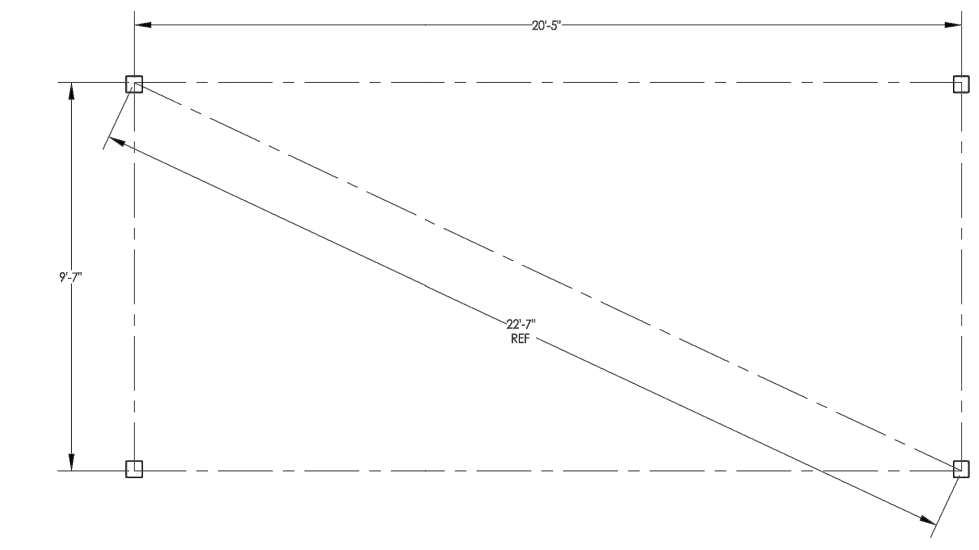
**STOP!! NOT FOR CONSTRUCTION**  
USE FOR PRELIMINARY PLANNING AND ESTIMATING ONLY

DATE: 04/29/2024  
TIME: 11:41 AM  
DRAWN BY: BDT  
CHECKED BY: BDT  
SUPERIOR RECREATIONAL PRODUCTS  
1865341-4264  
www.superiorre.com



**STOP!! NOT FOR CONSTRUCTION**  
USE FOR PRELIMINARY PLANNING AND ESTIMATING ONLY

DATE: 04/29/2024  
TIME: 11:41 AM  
DRAWN BY: BDT  
CHECKED BY: BDT  
SUPERIOR RECREATIONAL PRODUCTS  
1865341-4264  
www.superiorre.com



**BASEPLATE NOTES:**  
1. SSP ENGINEERING WILL DETERMINE REQUIRED BASEPLATE DESIGN AFTER ENGINEERING PACKAGE IS ORDERED.  
2. CUSTOMER MAY SUGGEST PREFERRED BASEPLATE DESIGN.

**STOP!! NOT FOR CONSTRUCTION**  
USE FOR PRELIMINARY PLANNING AND ESTIMATING ONLY

DATE: 04/29/2024  
TIME: 11:41 AM  
DRAWN BY: BDT  
CHECKED BY: BDT  
SUPERIOR RECREATIONAL PRODUCTS  
1865341-4264  
www.superiorre.com

**SUPERIOR**  
RECREATIONAL PRODUCTS



FRAME COLOR: ICED COFFEE  
ROOF COLOR: EVERGREEN  
COLORS SHOWN ARE FOR REFERENCE ONLY.  
CONTACT: 1.800.426.4264  
TO REQUEST ACTUAL COLOR SAMPLES.

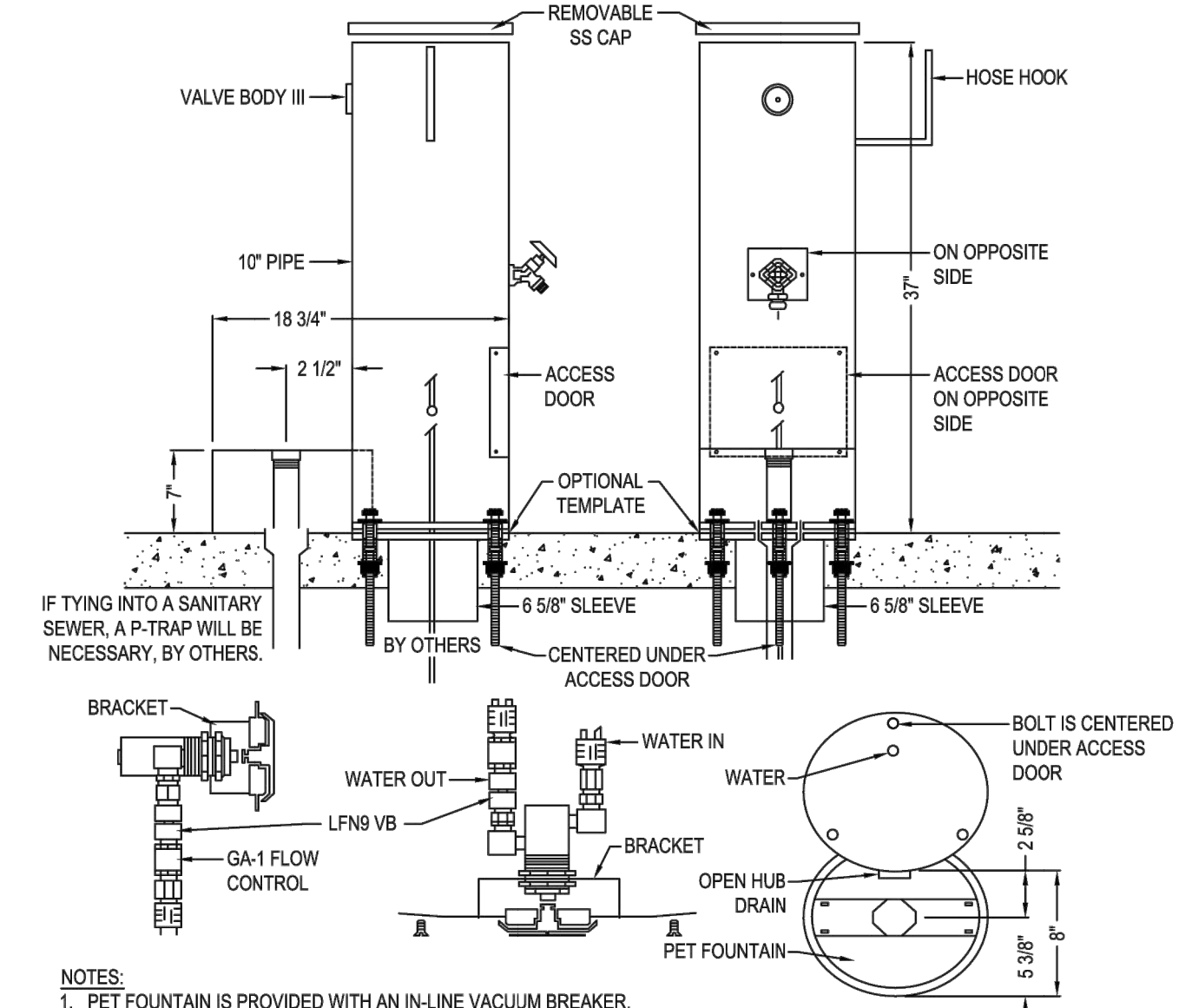
MSL1021-AS

**NOTE:**  
ANY REQUIRED PERMITTING BY MABCD IS THE RESPONSIBILITY OF THE CONTRACTOR.

**1 SHADE STRUCTURE**  
SCALE: NONE



**MOST DEPENDABLE FOUNTAINS, INC.**  
5705 COMMANDER DR. P.O. BOX 587  
ARLINGTON, TN 38002-0587  
PHONE: (901) 867-0039  
www.mostdependable.com



**NOTES:**  
1. PET FOUNTAIN IS PROVIDED WITH AN IN-LINE VACUUM BREAKER.  
2. OPTIONAL STAINLESS STEEL SURFACE CARRIER RECOMMENDED.  
3. SHOWN WITH STAINLESS STEEL SURFACE CARRIER TEMPLATE 10.  
4. INSTALLATION TO BE COMPLETED IN ACCORDANCE WITH MANUFACTURER'S SPECIFICATIONS.  
5. DO NOT SCALE DRAWING.  
6. THIS DRAWING IS INTENDED FOR USE BY ARCHITECTS, ENGINEERS, CONTRACTORS, CONSULTANTS AND DESIGN PROFESSIONALS FOR PLANNING PURPOSES ONLY. THIS DRAWING MAY NOT BE USED FOR CONSTRUCTION.  
7. ALL INFORMATION CONTAINED HEREIN WAS CURRENT AT THE TIME OF DEVELOPMENT BUT MUST BE REVIEWED AND APPROVED BY THE PRODUCT MANUFACTURER TO BE CONSIDERED ACCURATE.  
8. CONTRACTOR'S NOTE: FOR PRODUCT AND COMPANY INFORMATION VISIT [www.CADdetails.com/info](http://www.CADdetails.com/info) AND ENTER REFERENCE NUMBER 3354-9.93.

**MODEL 370 SM**  
SHOWN OPTIONAL 10 SS SURFACE CARRIER, HOSE BIBB, HOSE HOOK

3354-9.93  
PROTECTED BY COPYRIGHT ©2019 CADDDETAILS.COM LTD.

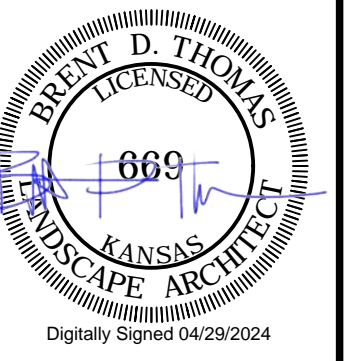
REVISION DATE 07/03/2019  
CADdetails.com

**2 DOG WASH FOUNTAIN**  
SCALE: NONE



© 2024 GARVER, LLC  
THIS DOCUMENT, ALONG WITH THE IDEAS AND DESIGNS CONVEYED HEREIN, SHALL BE CONSIDERED INSTRUMENTS OF PROFESSIONAL SERVICE AND ARE PROPERTY OF GARVER, LLC. ANY USE, REPRODUCTION, OR DISTRIBUTION OF THIS DOCUMENT, ALONG WITH THE IDEAS AND DESIGN CONTAINED HEREIN, IS PROHIBITED UNLESS AUTHORIZED IN WRITING BY GARVER, LLC OR EXPLICITLY ALLOWED IN THE GOVERNING PROFESSIONAL SERVICES AGREEMENT FOR THIS WORK.

1995 Midfield Road  
Wichita, KS 67209  
(316) 264-8008



REV.	DATE	DESCRIPTION	BY

**CITY OF WICHITA**  
**DEPT. OF PARK & RECREATION**  
WICHITA, KANSAS

**2024 PARK FACILITY**  
**ENHANCEMENTS-**  
**K9 ROOSTER DOG PARK**  
**ENHANCEMENTS**

LANDSCAPE DETAILS 04

JOB NO.: 2302060  
DATE: MAY 2024  
DESIGNED BY: BDT  
DRAWN BY: HG

BAR IS ONE INCH ON ORIGINAL DRAWING  
IF NOT ONE INCH ON THIS SHEET, ADJUST SCALES ACCORDINGLY.

**DRAWING NUMBER**  
**L-504**

**SHEET NUMBER**

File: L:\2023\F02-2302060 - Meridian Dog Park Enhancements\Drawings\MER-L501.dwg Last Save: 4/29/2024 11:26 AM Last saved by: BCGillespie Last plotted by: Gillespie, Bailey I. Plot Style: AECMonochrome.ctb Plot Scale: 1:2.5649 Plot Date: 4/29/2024 11:41 AM Plotter used: None