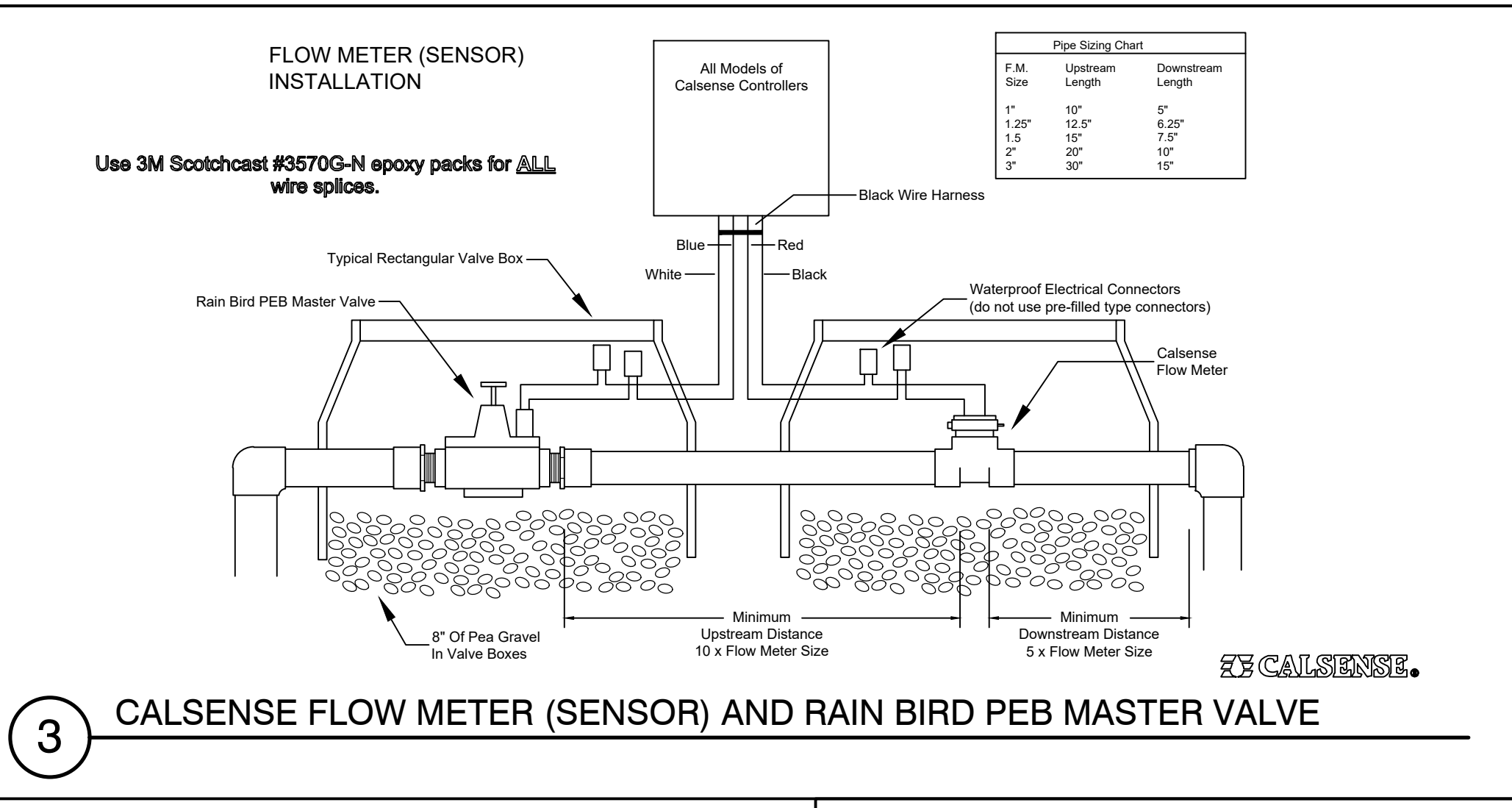
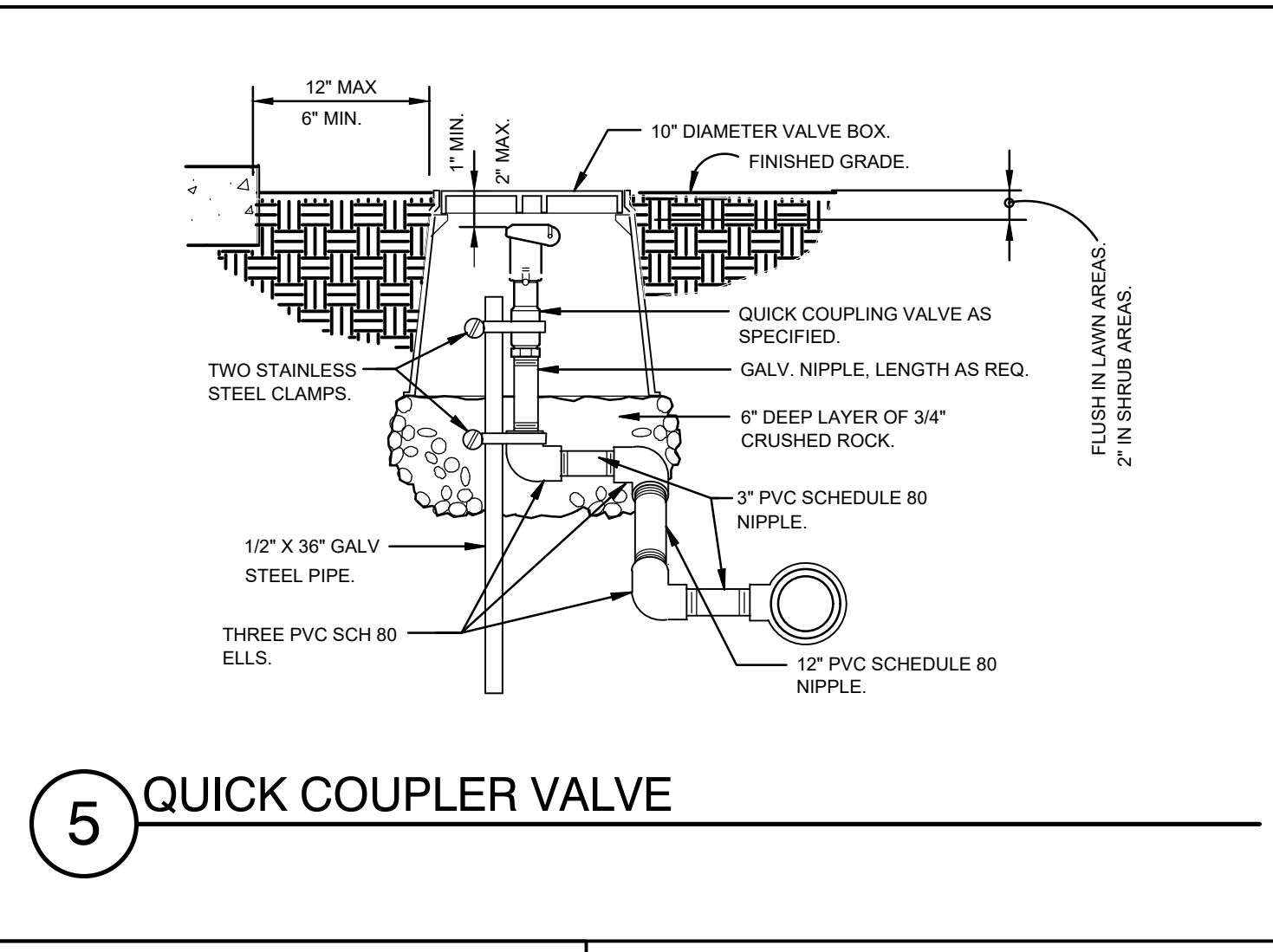


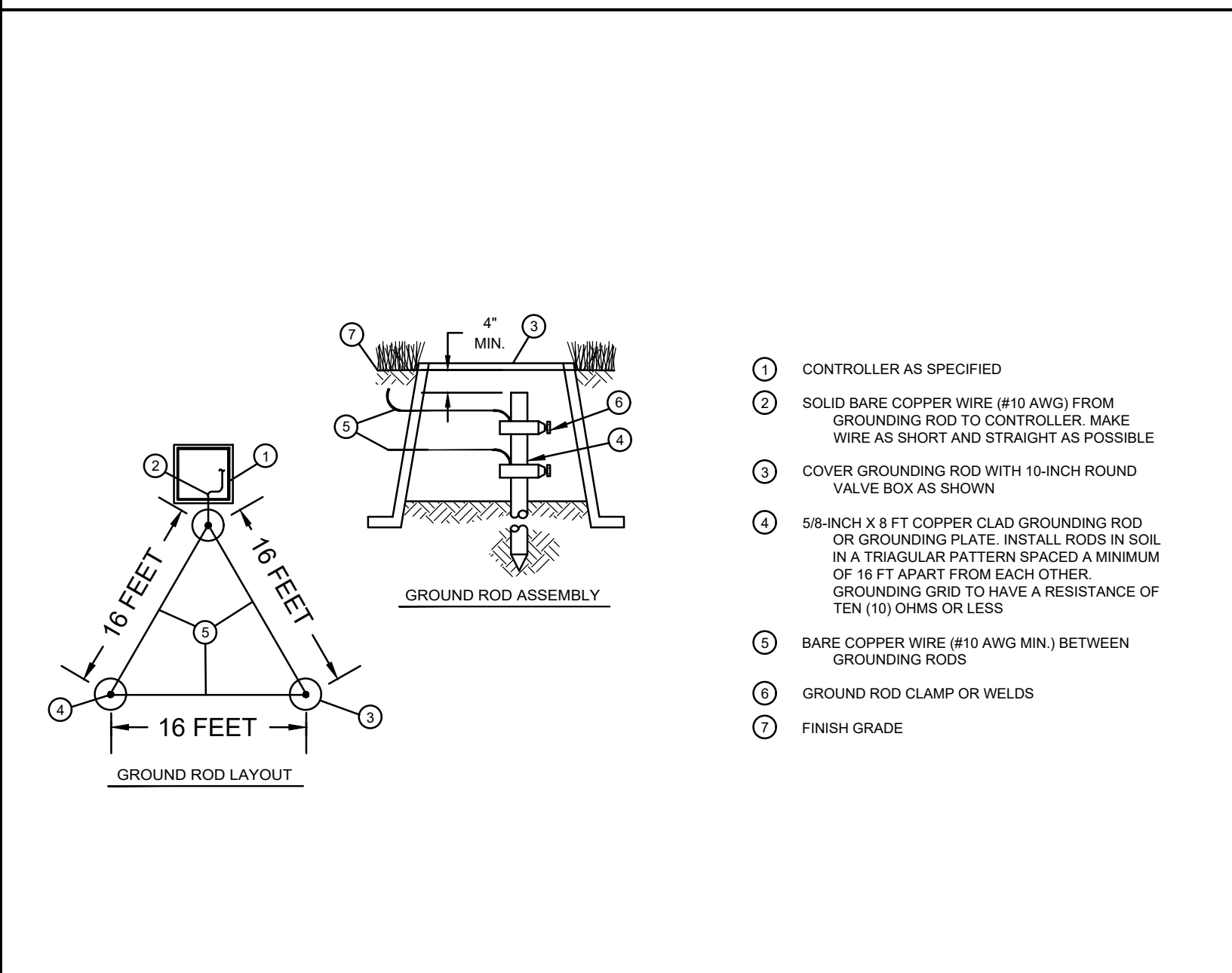
1 CALSENSE CONTROLLER AND SS PEDESTAL



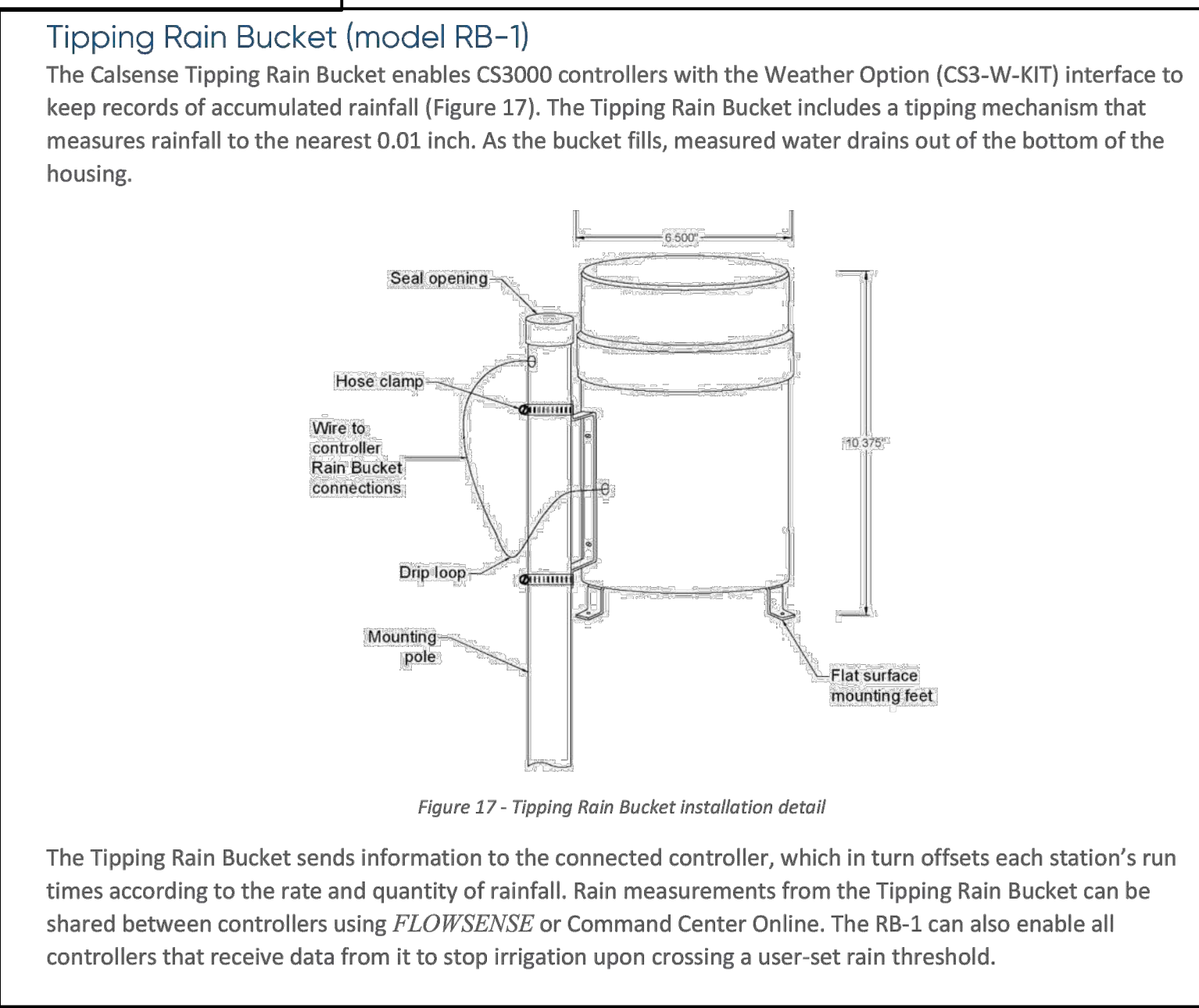
3 CALSENSE FLOW METER (SENSOR) AND RAIN BIRD PEB MASTER VALVE



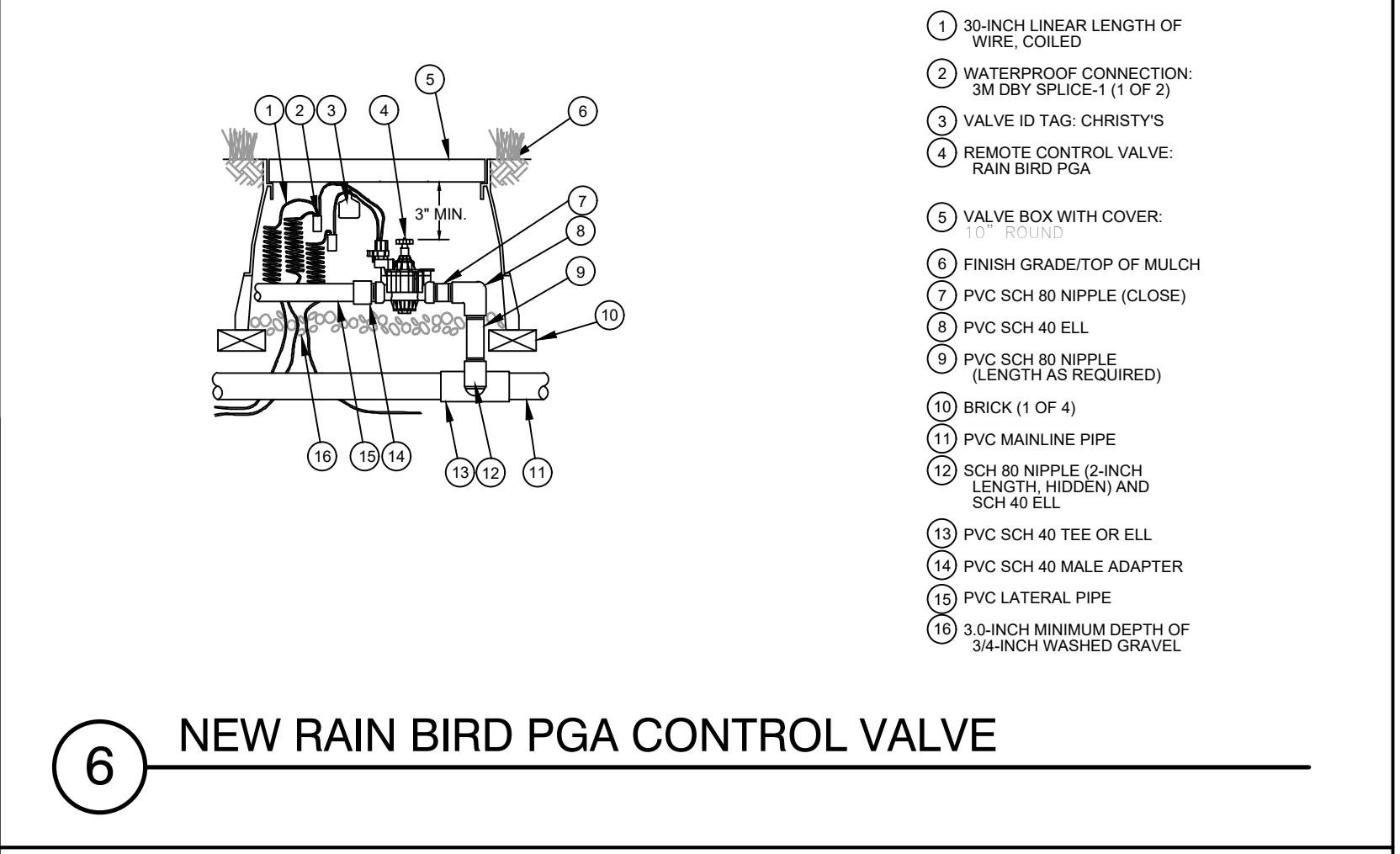
5 QUICK COUPLER VALVE



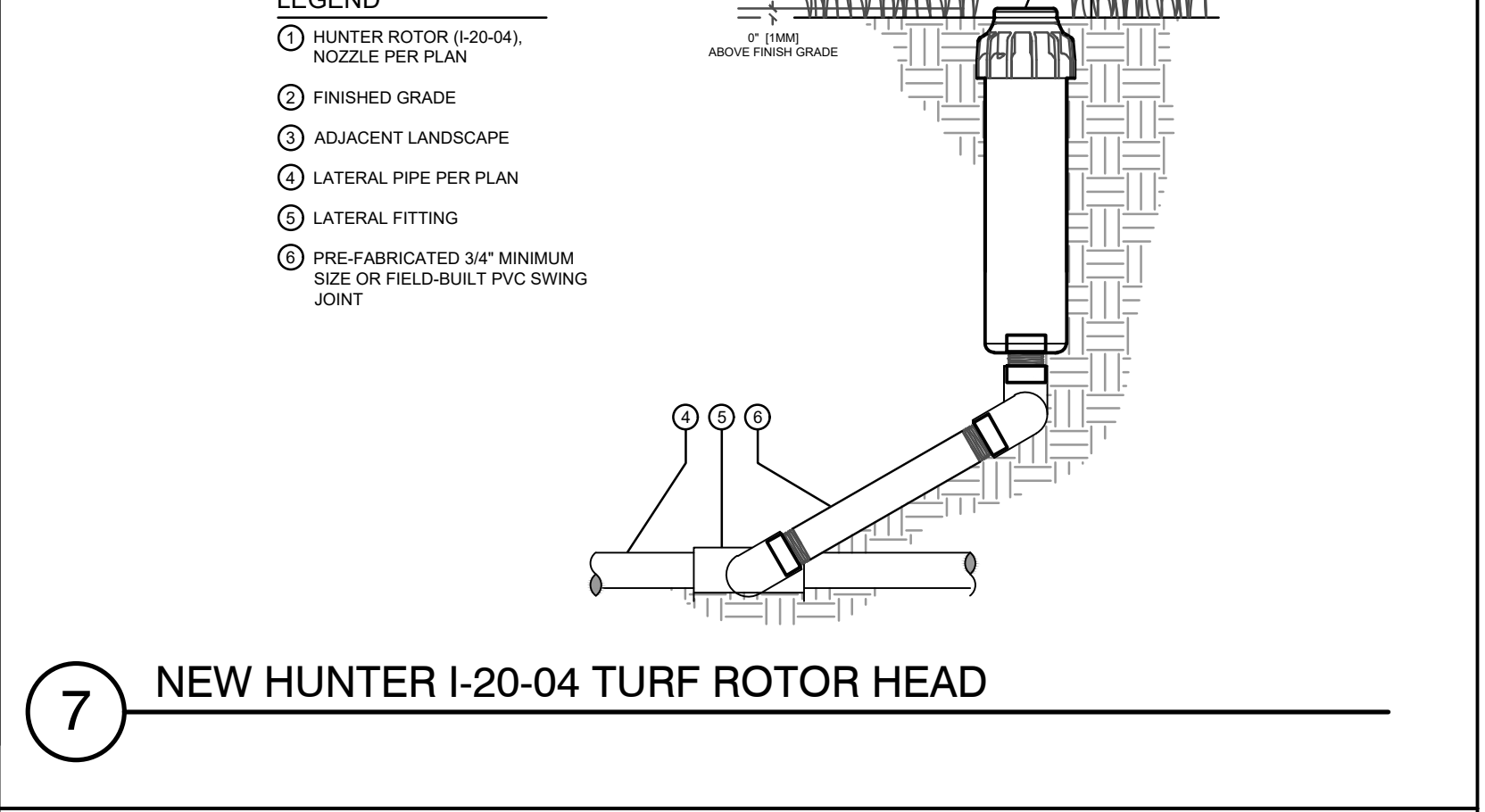
2 CONTROLLER GROUNDING



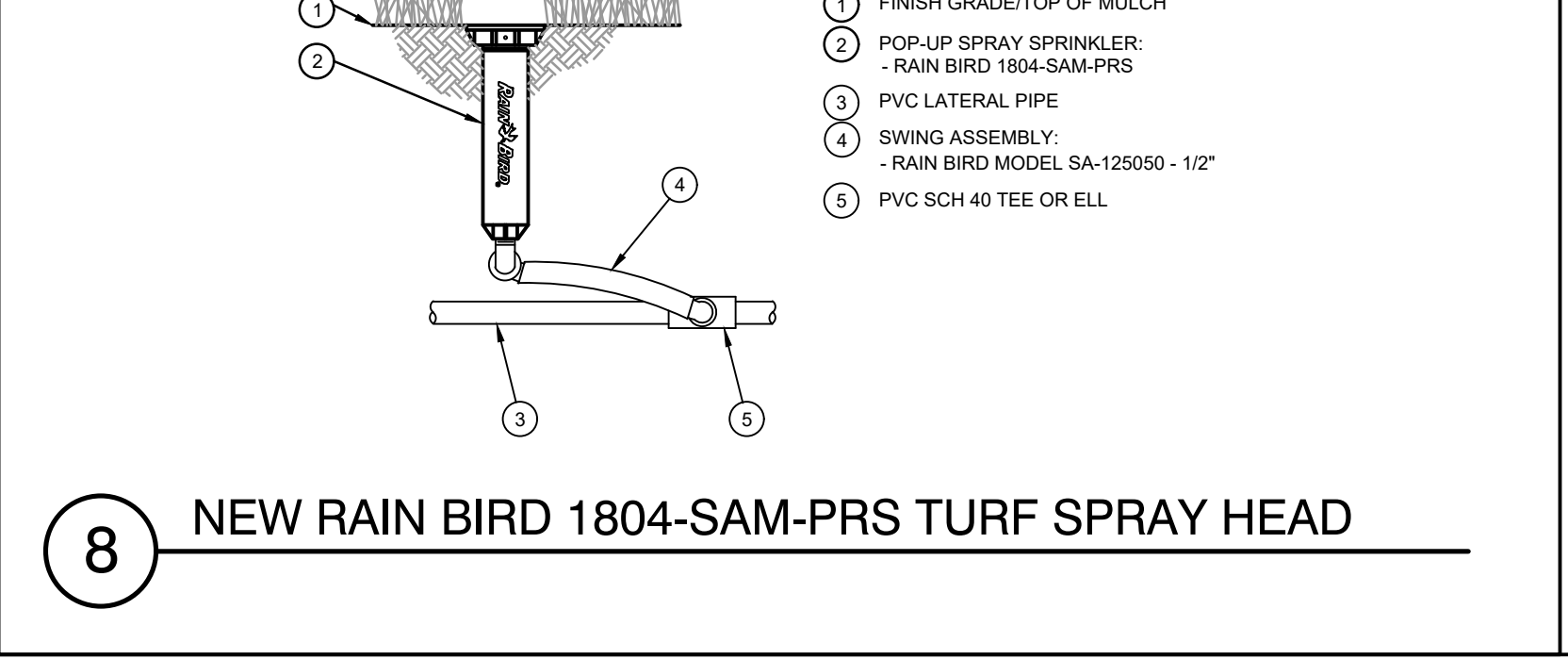
4 TIPPING RAIN BUCKET RAIN SENSOR



6 NEW RAIN BIRD PGA CONTROL VALVE



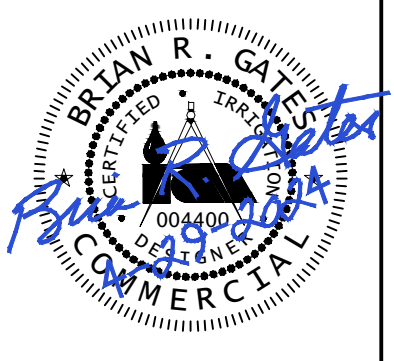
7 NEW HUNTER I-20-04 TURF ROTOR HEAD



8 NEW RAIN BIRD 1804-SAM-PRS TURF SPRAY HEAD

GARVER
 © 2024 GARVER, LLC
 THIS DOCUMENT, ALONG WITH THE IDEAS AND DESIGNS CONVEYED HEREIN, SHALL BE CONSIDERED INSTRUMENTS OF PROFESSIONAL SERVICE AND ARE PROPERTY OF GARVER, LLC. ANY USE, REPRODUCTION, OR DISTRIBUTION OF THIS DOCUMENT, ALONG WITH THE IDEAS AND DESIGN CONTAINED HEREIN, IS PROHIBITED UNLESS AUTHORIZED IN WRITING BY GARVER, LLC OR EXPLICITLY ALLOWED IN THE GOVERNING PROFESSIONAL SERVICES AGREEMENT FOR THIS WORK.

1995 Midfield Road
 Wichita, KS 67209
 (316) 264-8008



REV.	DATE	DESCRIPTION	BY

CITY OF WICHITA
 DEPT. OF PARK & RECREATION
 WICHITA, KANSAS
 2024 PARK FACILITY
 ENHANCEMENTS-
 K9 ROOSTER DOG PARK
 ENHANCEMENTS

IRRIGATION PLAN
 - NEW SYSTEM
 INSTALLATION
 DETAILS

JOB NO.: 2302060
 DATE: MAY 2024
 DESIGNED BY: BRG
 DRAWN BY: BRG

BAR IS ONE INCH ON ORIGINAL DRAWING
 0 1" IF NOT ONE INCH ON THIS SHEET, ADJUST SCALES ACCORDINGLY.
 DRAWING NUMBER
IR-105
 SHEET NUMBER



File: E:\ecosystems\dwgs\3-16-2020\Rooster Canine Dog Park\Rooster Canine Dog Park - Irrigation Plan - 4-29-2024.dwg Last Save: 4/29/2024 7:10 AM Last saved by: Brian Gates
 Last plotted by: Brian Gates Plot Style: LFX.ctb Plot Date: 4/29/2024 7:11 AM Plotter used: AutoCAD PDF (Smallest File).pc3