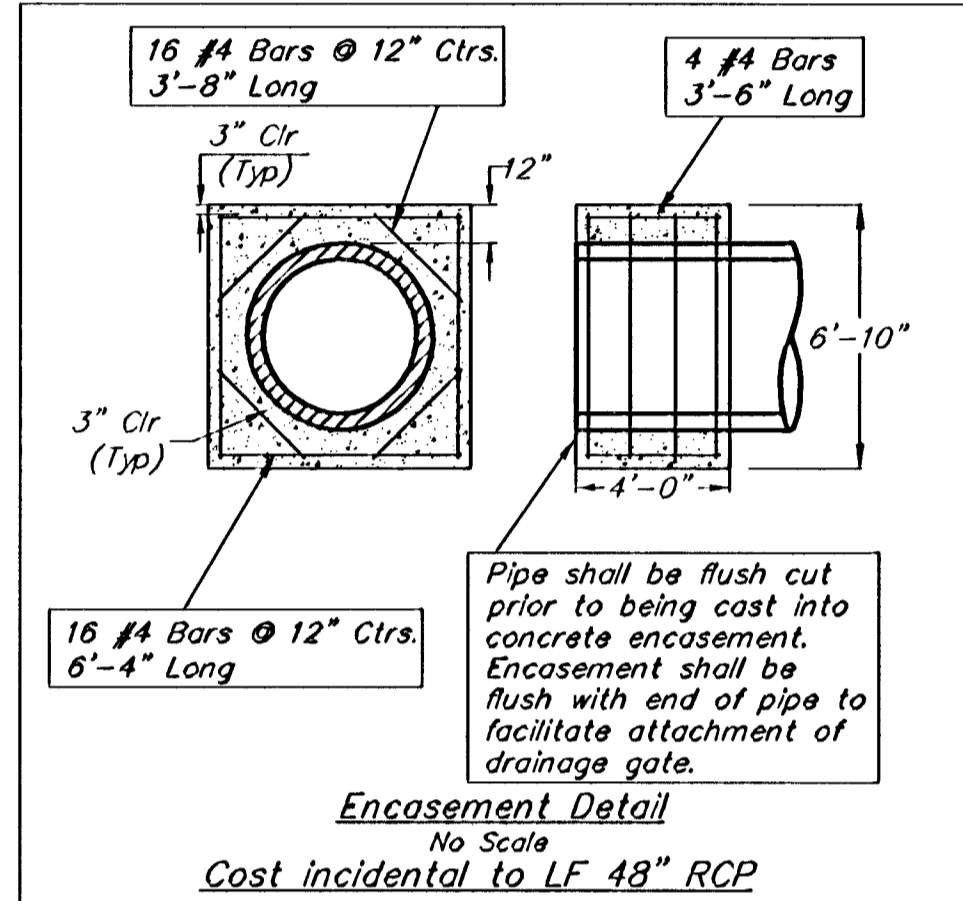
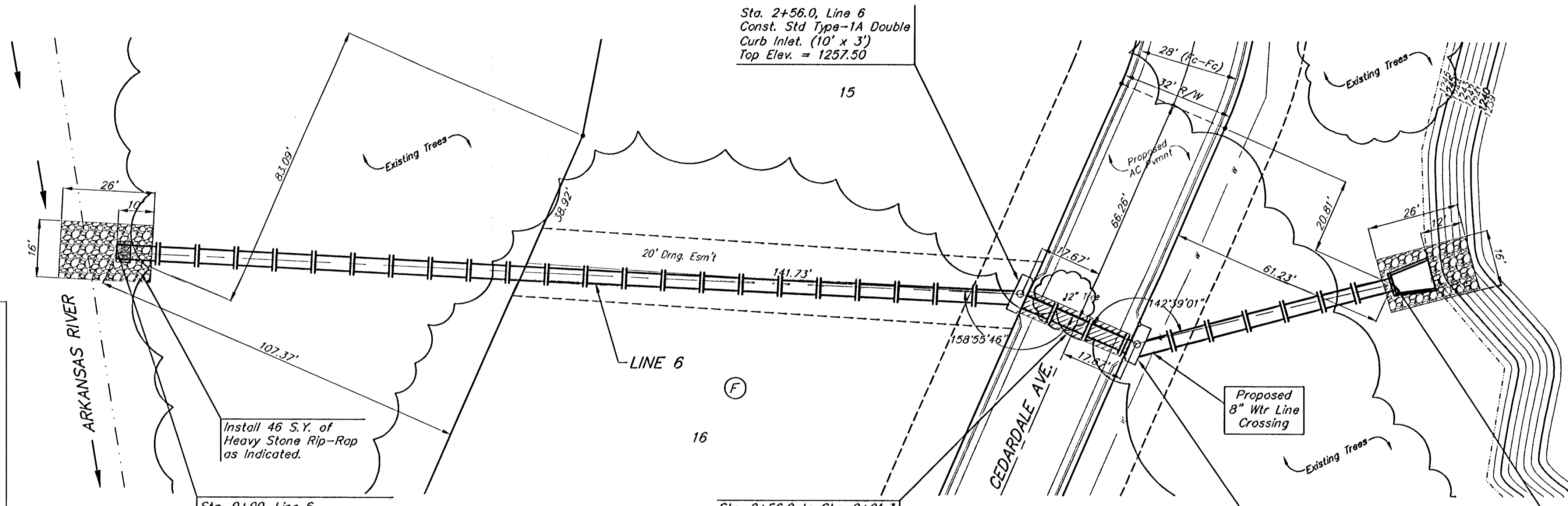


BENCHMARK:
 Arkansas River bridge & 63rd St. S. City of
 Wichita Benchmark Disc. SW Cor. of bridge,
 top of hubguard. 500'± E. of Grove.
 Elev. = 1269.95 NGVD29 (per City record)

Brass plate on the NE wingwall of Arkansas
 River bridge & 63rd St. S.
 Elev. = 1267.48 NGVD29 (per County record)

SCALE:
 1" = 20' HORIZONTAL
 1" = 5' VERTICAL
 • = IRON

POND DATA:
 STATIC POOL ELEVATION: 1246.6 NGVD29
 100 YEAR DWS: 1256.0 NGVD29



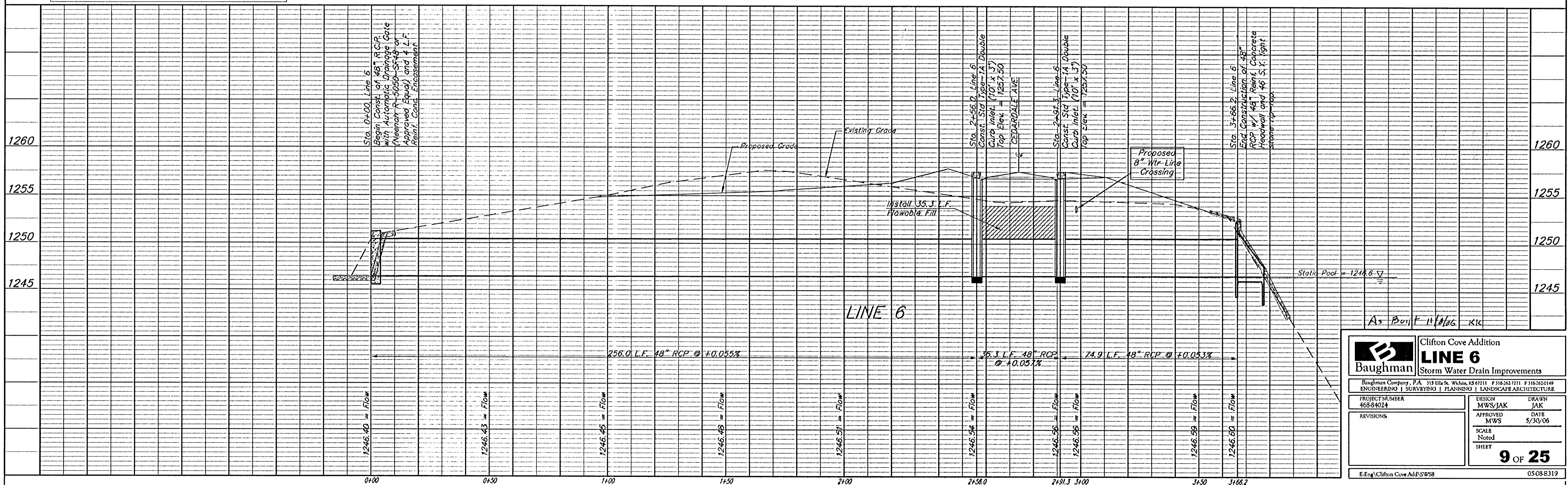
Sta. 0+00, Line 6
 Begin Const. of 48" R.C.P.
 with Automatic Drainage Gate
 (Neenah R-5050-SF48 or
 Approved Equal) and 4 L.F.
 Reinf. Conc. Encasement

Remove Existing Trees Only as **ABSOLUTELY**
 Necessary For Construction. Trees Not In
 Direct Conflict With Proposed New
 Construction Shall Remain And Be Protected
 From Damage. Cost to be Included in Bid
 Item "Site Clearing & Restoration"

Sta. 2+56.0 to Sta. 2+91.3
 Install 35.3 L.F. Flowable Fill
 Per City Specifications.
 Fill to Elev. 1253.90

Sta. 2+91.3, Line 6
 Const. Std Type-1A Double
 Curb Inlet. (10' x 3')
 Top Elev. = 1257.50

Sta. 3+66.2, Line 6
 End Construction of 48"
 RCP w/ 48" Reinf. Concrete
 Headwall and 46 S.Y. light
 stone rip-rap.



	Clifton Cove Addition	
	LINE 6	
Storm Water Drain Improvements		
<small>Baughman Company, P.A. 115 E. 11th St. Wichita, KS 67211 P 316-263-7171 F 316-263-0149 ENGINEERING SURVEYING PLANNING LANDSCAPE ARCHITECTURE</small>		
PROJECT NUMBER 468-84024	DESIGN MWS/JAK	DRAWN JAK
REVISIONS	APPROVED MWS	DATE 5/30/06
	SCALE Noted	SHEET
		9 OF 25
E:\Eng\Clifton Cove Add\SW8		05-08-E319