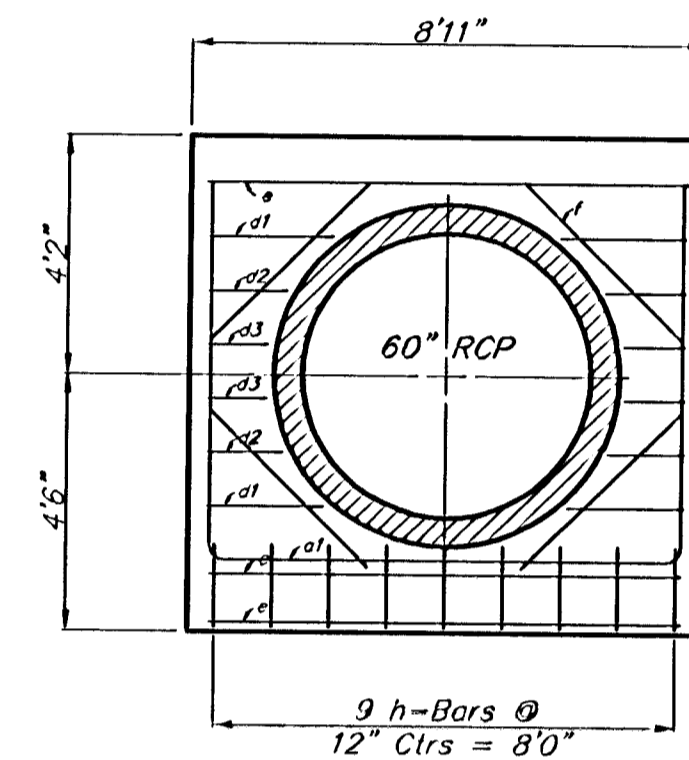
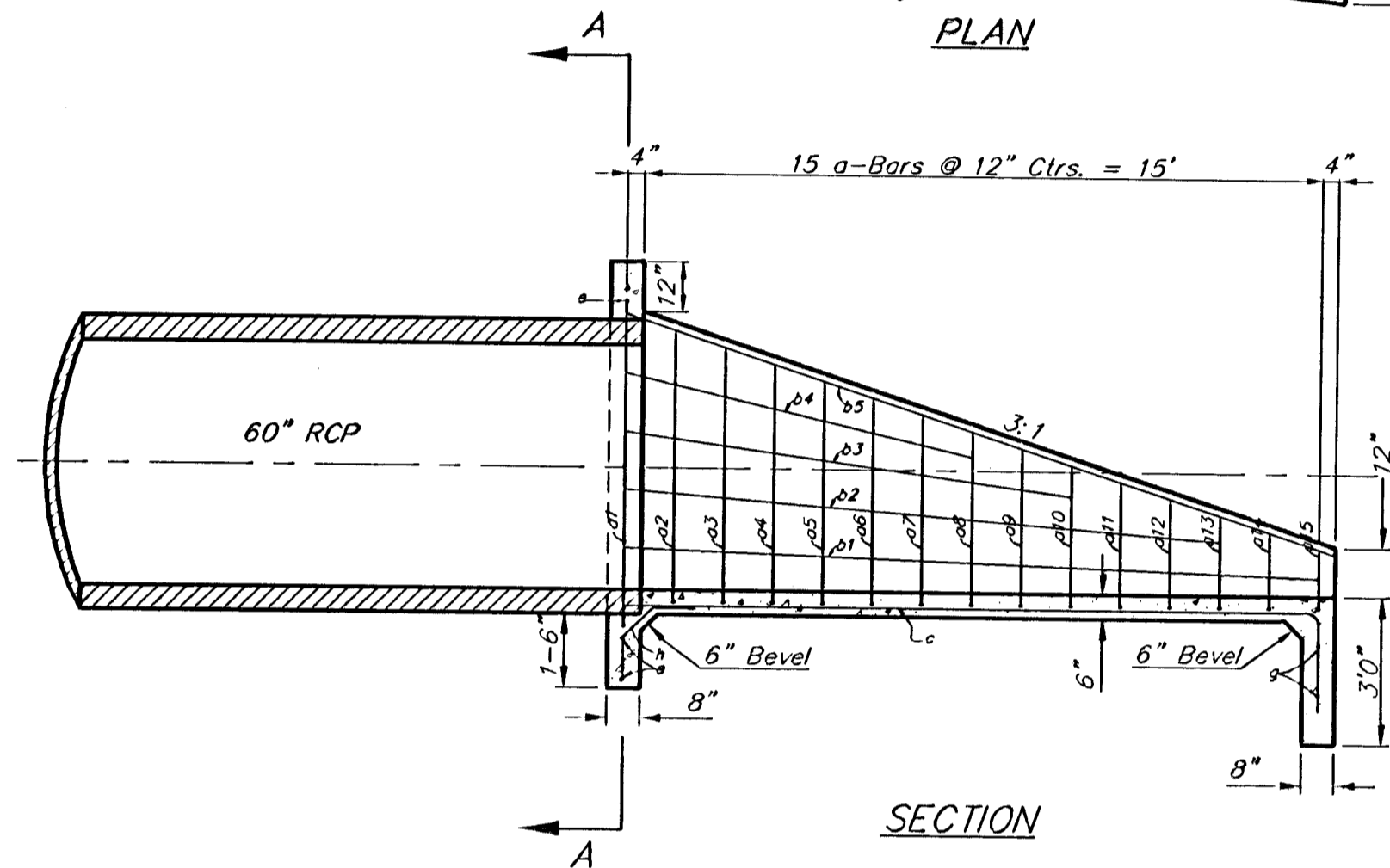


PLAN



SECTION A-A



SECTION

| a-Bars | | | | |
|--------|-------|-----|-------|---|
| a1 | 8'2" | a1 | 6'8" | 1 |
| a2 | 8'5" | a2 | 5'6" | 1 |
| a3 | 8'7" | a3 | 5'2" | 1 |
| a4 | 8'10" | a4 | 4'10" | 1 |
| a5 | 9'1" | a5 | 4'6" | 1 |
| a6 | 9'4" | a6 | 4'2" | 1 |
| a7 | 9'7" | a7 | 3'10" | 1 |
| a8 | 9'10" | a8 | 3'6" | 1 |
| a9 | 10'1" | a9 | 3'2" | 1 |
| a10 | 10'3" | a10 | 2'10" | 1 |
| a11 | 10'6" | a11 | 2'6" | 1 |
| a12 | 10'9" | a12 | 2'2" | 1 |
| a13 | 11'0" | a13 | 1'10" | 1 |
| a14 | 11'2" | a14 | 1'6" | 1 |
| a15 | 11'5" | a15 | 1'2" | 1 |

REBAR SCHEDULE

| Bar | Shape | No. | Length | Weight | Bar | Shape | No. | Length | Weight | | | | | |
|-------------|-------|-----|--------|--------|-------------|-------|-----|--------|--------|------------|--|--|--|--|
| a1 | | 1 | 21'6" | 14.36 | b1 | | 2 | 14'0" | 18.70 | | | | | |
| a2 | | 1 | 19'5" | 12.97 | b2 | | 2 | 12'0" | 16.04 | | | | | |
| a3 | | 1 | 18'11" | 12.64 | b3 | | 2 | 9'1" | 12.14 | | | | | |
| a4 | | 1 | 18'6" | 12.36 | b4 | | 2 | 7'2" | 9.58 | | | | | |
| a5 | | 1 | 18'1" | 12.08 | b5 | | 2 | 15'1" | 20.15 | | | | | |
| a6 | | 1 | 17'8" | 11.81 | c | | 10 | 16'0" | 106.88 | | | | | |
| a7 | | 1 | 17'3" | 11.52 | d1 | | 4 | 2'1" | 5.57 | | | | | |
| a8 | | 1 | 16'10" | 11.24 | d2 | | 4 | 1'4" | 3.56 | | | | | |
| a9 | | 1 | 16'5" | 10.97 | d3 | | 4 | 1'0" | 2.67 | | | | | |
| a10 | | 1 | 15'11" | 10.63 | e | | 3 | 8'5" | 16.87 | | | | | |
| a11 | | 1 | 15'6" | 10.35 | f | | 4 | 3'11" | 10.47 | | | | | |
| a12 | | 1 | 15'1" | 10.08 | g | | 2 | 11'0" | 7.35 | | | | | |
| a13 | | 1 | 14'9" | 9.80 | h | | 9 | 2'6" | 15.03 | | | | | |
| a14 | | 1 | 14'2" | 9.46 | | | | | | | | | | |
| a15 | | 1 | 13'9" | 9.19 | | | | | | | | | | |
| Total Rebar | | | | | 414.47 Lbs. | | | | | | | | | |
| | | | | | Concrete | | | | | 14.46 C.Y. | | | | |

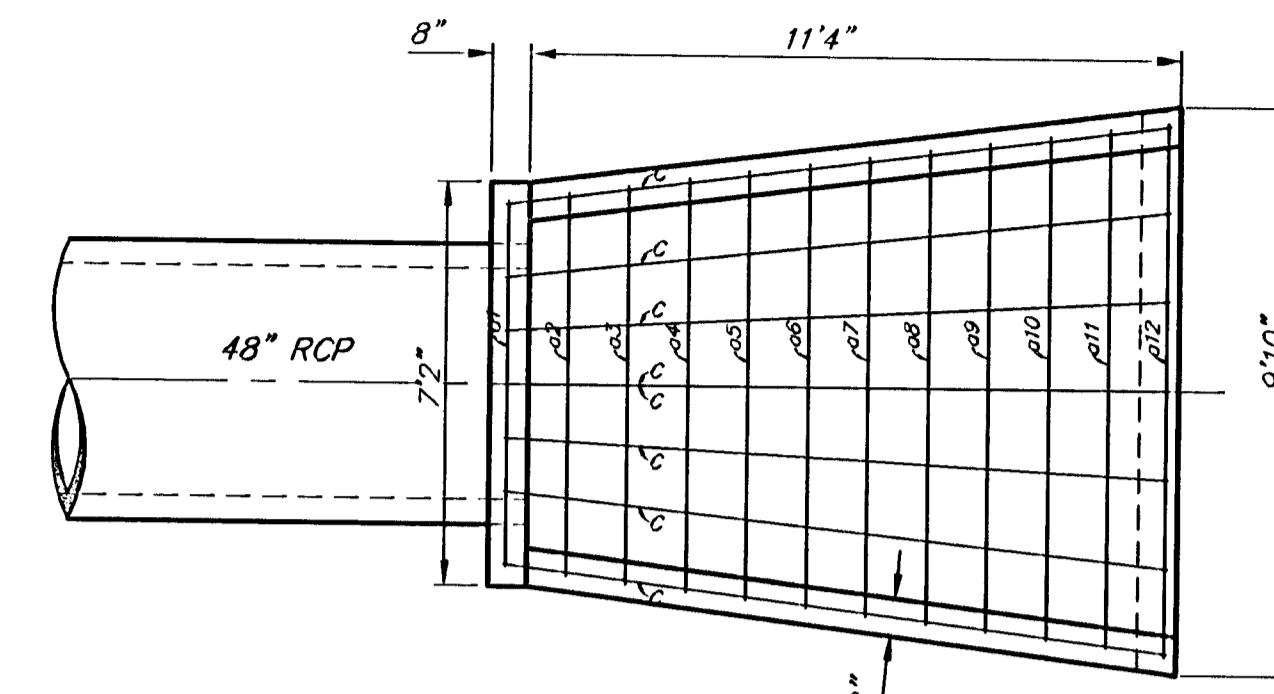
h-Bars

A Deduction in Concrete Quantities Has Been Made for Pipe Openings Through the Headwall
 * Field Bend or Cut Reinforcing as Required for Clearance.
 All Concrete Reinforcement to be #4 Rebar
 All Rebar to Have Min. of 1 1/2" Conc. Cover

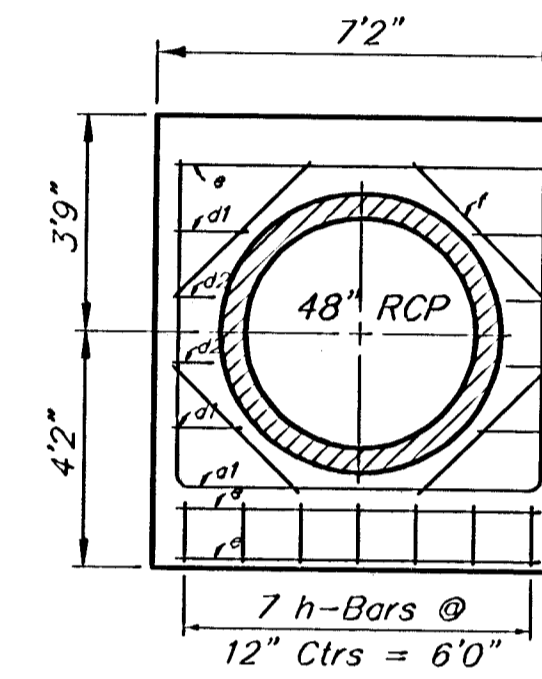
GENERAL NOTES

- All pipes shall be flush cut prior to being cast into concrete headwall.
- Concrete used in headwall construction shall be same as per city standard paving mix except that it shall have a minimum 28 day compressive strength of 4000 psi.
- All exposed edges shall be beveled 1/2".
- Reinforcing steel shall comply to a.s.t.m.
- The "Rein. Conc. Headwall" shall be paid for at the unit price bid per each in place which shall include all labor, materials, excavation, concrete, reinforcing steel and all other incidental items necessary to complete the work. Material quantities shown are for information only.
- A deduction in concrete quantities has been made for pipe openings through the headwall.
- All concrete reinforcement to be #4 Rebar.
- All rebar to have min. of 1 1/2" conc. cover.

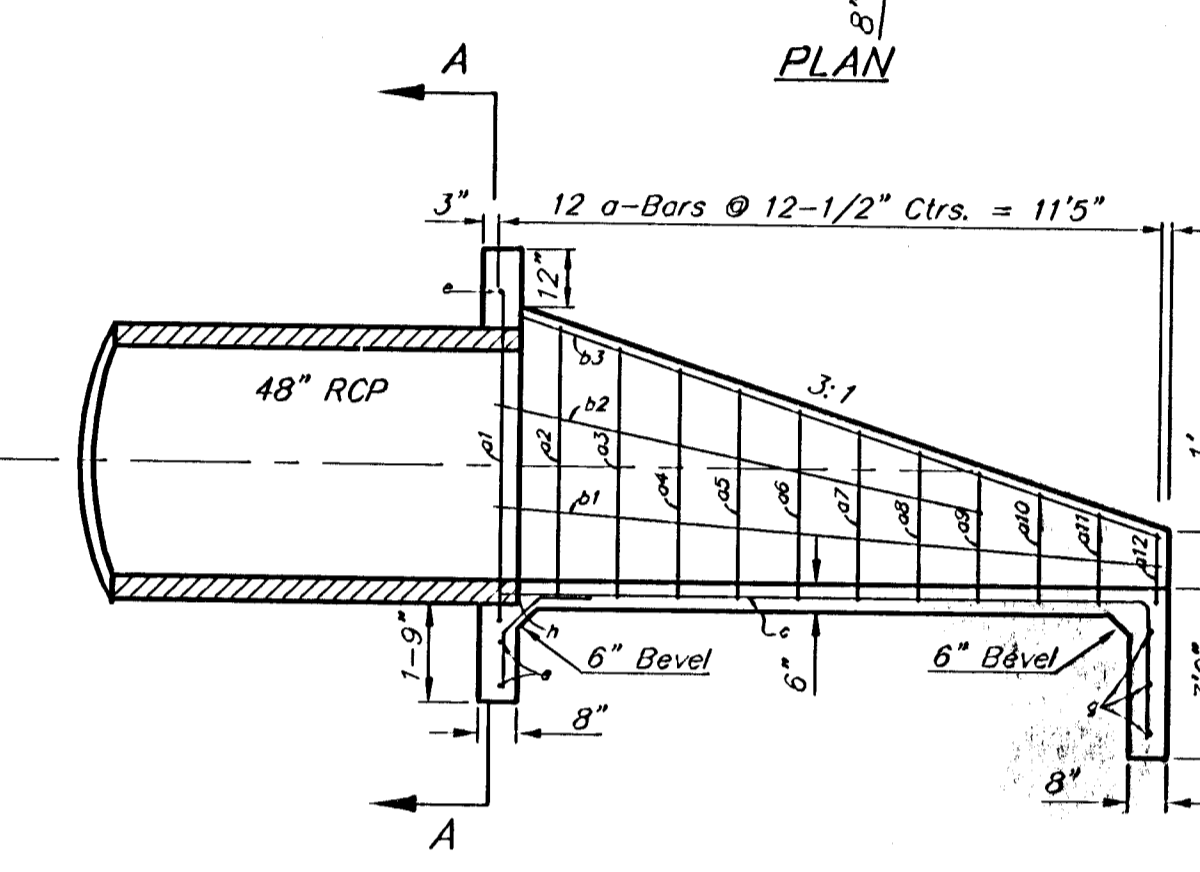
HEADWALL FOR 60" RCP



PLAN

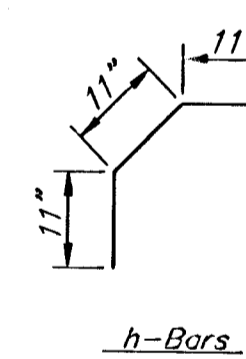


SECTION A-A

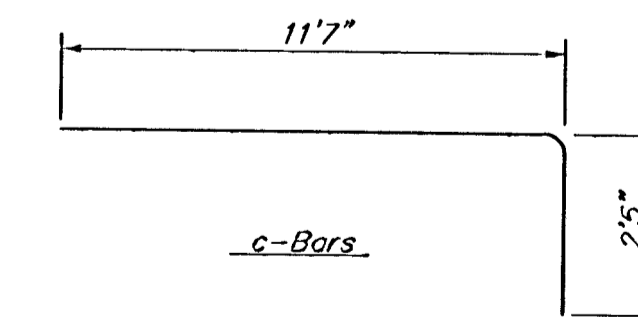


SECTION

| a-Bars | |
|--------|-------|
| a1 | 5'9" |
| a2 | 4'8" |
| a3 | 4'4" |
| a4 | 4'0" |
| a5 | 3'8" |
| a6 | 3'4" |
| a7 | 3'0" |
| a8 | 2'7" |
| a9 | 2'3" |
| a10 | 1'11" |
| a11 | 1'7" |
| a12 | 1'3" |



h-Bars



c-Bars

REBAR SCHEDULE

| Bar | Shops | No. | Length | Weight |
|-------------|-------|-----|--------|-------------|
| a1 | | 1 | 17'10" | 11.91 |
| a2 | | 1 | 16'0" | 10.69 |
| a3 | | 1 | 15'7" | 10.41 |
| a4 | | 1 | 15'2" | 10.13 |
| a5 | | 1 | 14'9" | 9.82 |
| a6 | | 1 | 14'4" | 9.57 |
| a7 | | 1 | 13'11" | 9.30 |
| a8 | | 1 | 13'5" | 8.96 |
| a9 | | 1 | 13'0" | 8.68 |
| a10 | | 1 | 12'7" | 8.41 |
| a11 | | 1 | 12'2" | 8.13 |
| a12 | | 1 | 11'9" | 7.85 |
| b1 | | 2 | 11'8" | 15.59 |
| b2 | | 2 | 8'8" | 11.58 |
| b3 | | 2 | 11'10" | 15.81 |
| c | | 7 | 14'0" | 65.46 |
| d1 | | 4 | 1'2" | 3.12 |
| d2 | | 4 | 8" | 1.78 |
| e | | 3 | 6'8" | 13.03 |
| f | | 4 | 3'4" | 8.91 |
| g | | 3 | 9'3" | 18.54 |
| h | | 7 | 2'9" | 12.86 |
| Total Rebar | | | | 280.54 Lbs. |
| Concrete | | | | 4.91 C.Y. |

A Deduction in Concrete Quantities Has Been Made for Pipe Openings Through the Headwall
 * Field Bend or Cut Reinforcing as Required for Clearance.
 All Concrete Reinforcement to be #4 Rebar
 All Rebar to Have Min. of 1 1/2" Conc. Cover

HEADWALL FOR 48" RCP

Clifton Cove Addition
HEADWALL DETAIL
 STORM WATER DRAIN #269

Baughman
 ENGINEERING | SURVEYING | PLANNING | LANDSCAPE ARCHITECTURE

PROJECT NUMBER
 468-84024

DESIGN
 Staff

DRAWN
 Staff

APPROVED
 DATE
 5/30/06

SCALE
 Noted

SHEET
15 OF 25

Clifton Cove Add/Hdwall