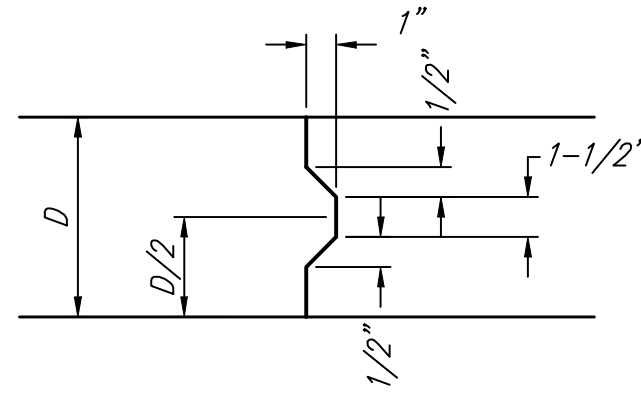
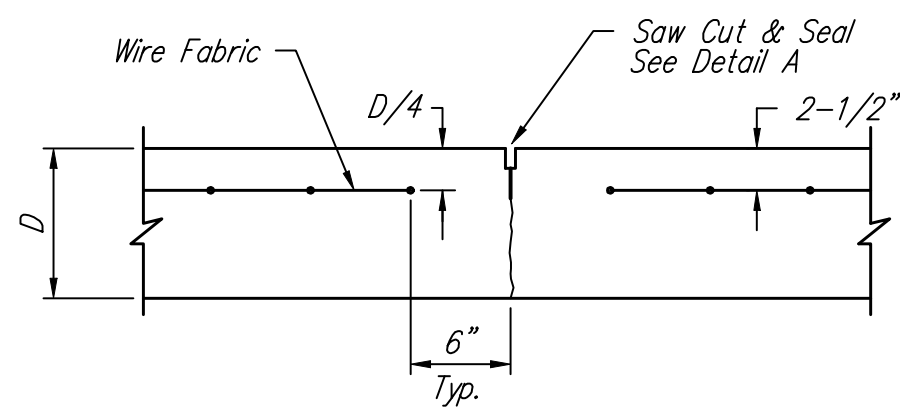


EXPANSION JOINT

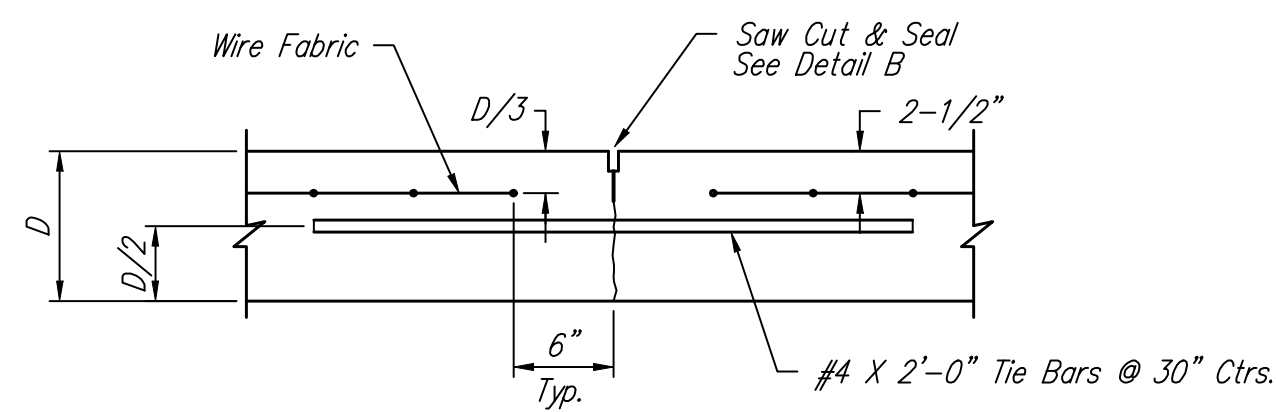
NOTE: Extra Thickness to be Subsidiary to Price of Square Yards Pavement



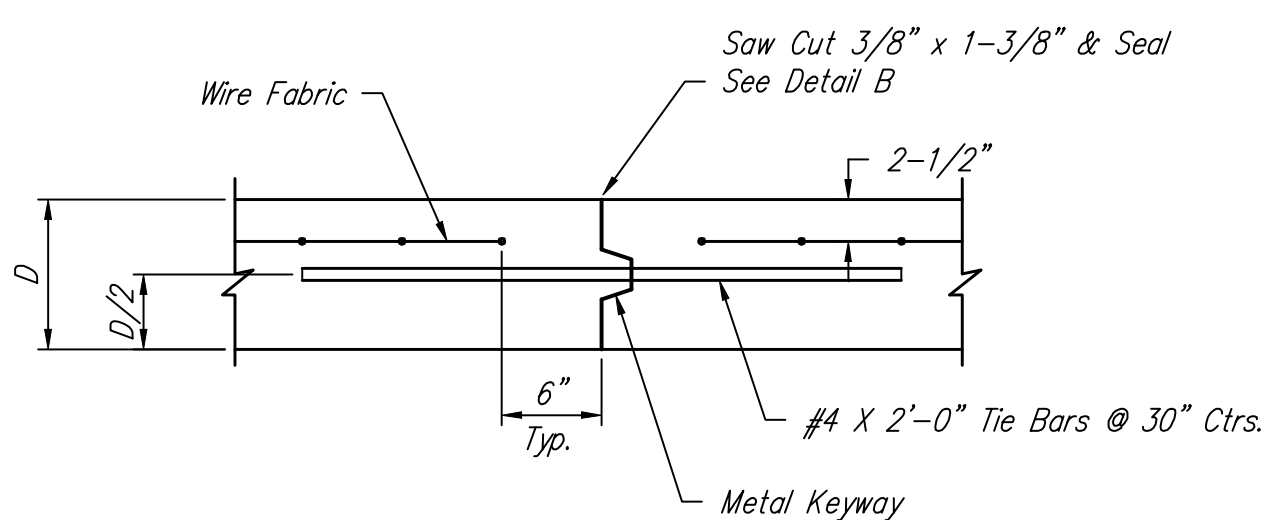
KEYWAY DETAIL



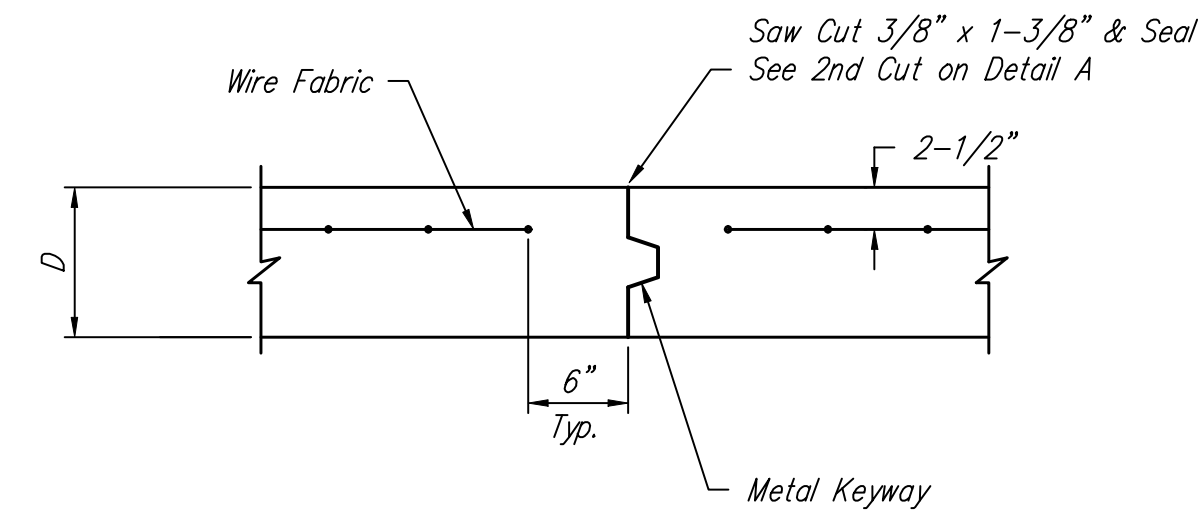
CONTRACTION JOINT DETAIL (C.J.)



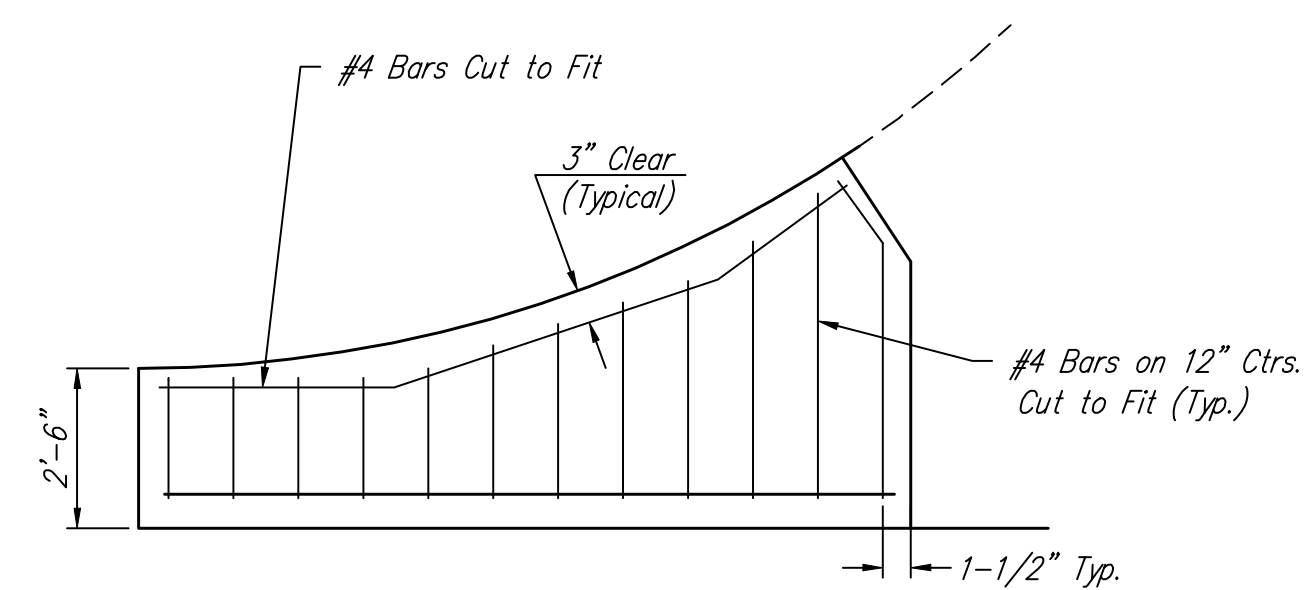
LONGITUDINAL JOINT DETAIL (L.J.)



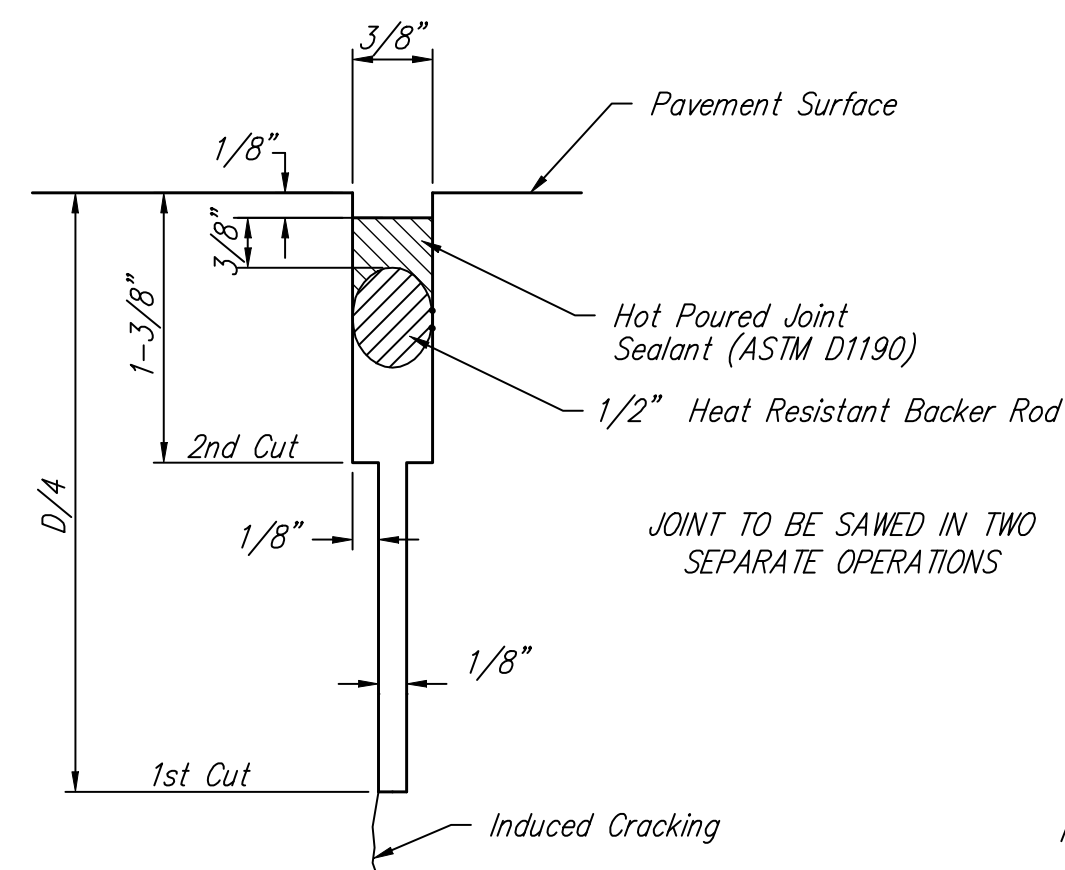
OPTIONAL LONGITUDINAL JOINT DETAIL (L.J.) (CONSTRUCTION JOINT)



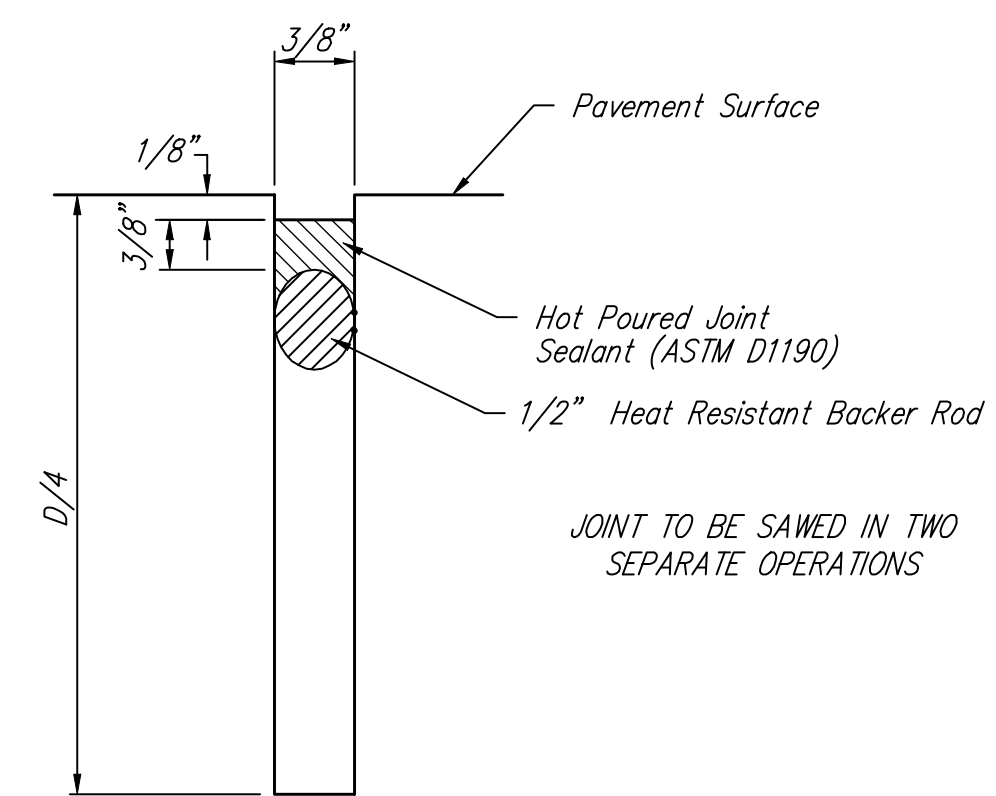
OPTIONAL CONTRACTION JOINT (CONSTRUCTION JOINT)



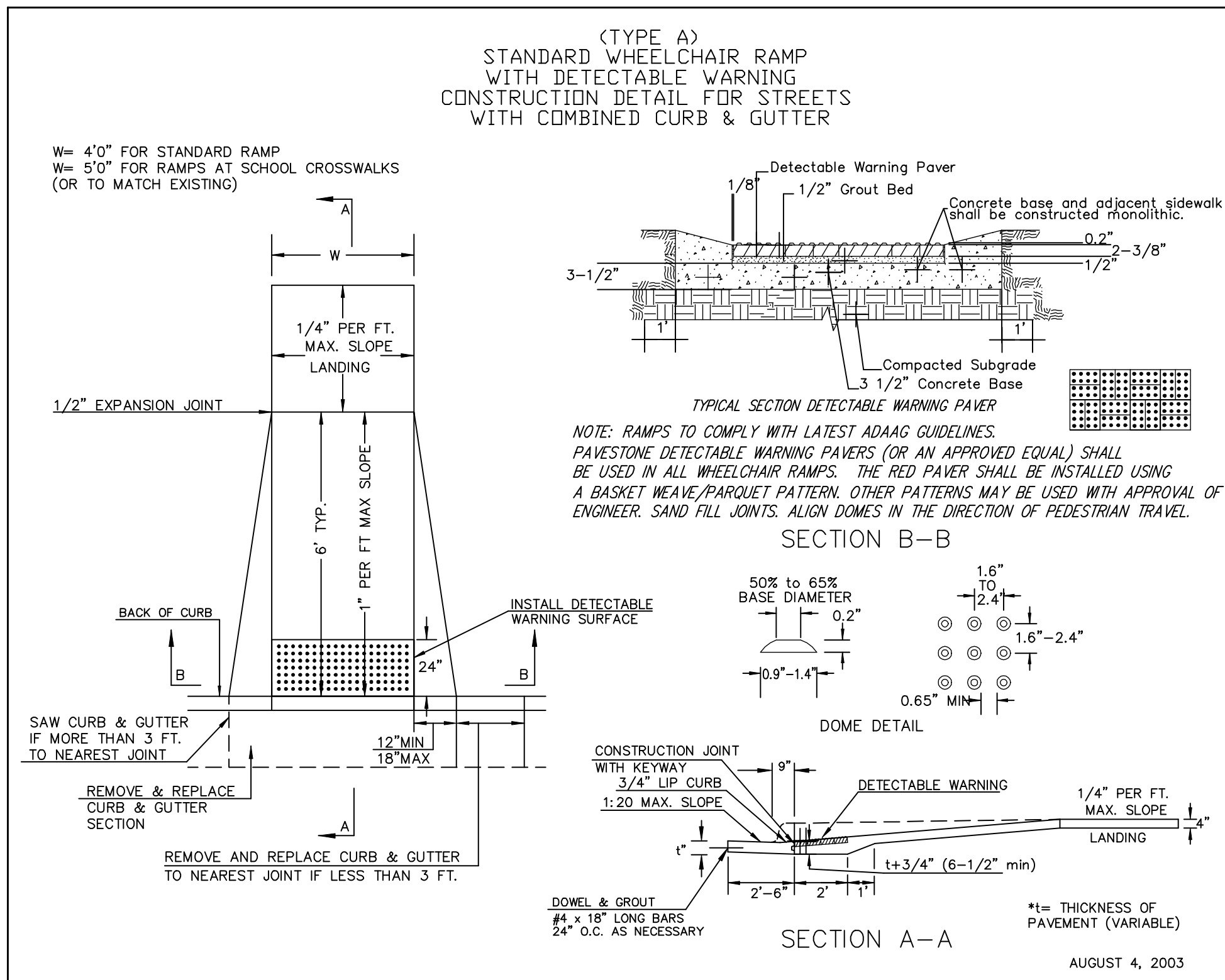
WING REINFORCING DETAIL



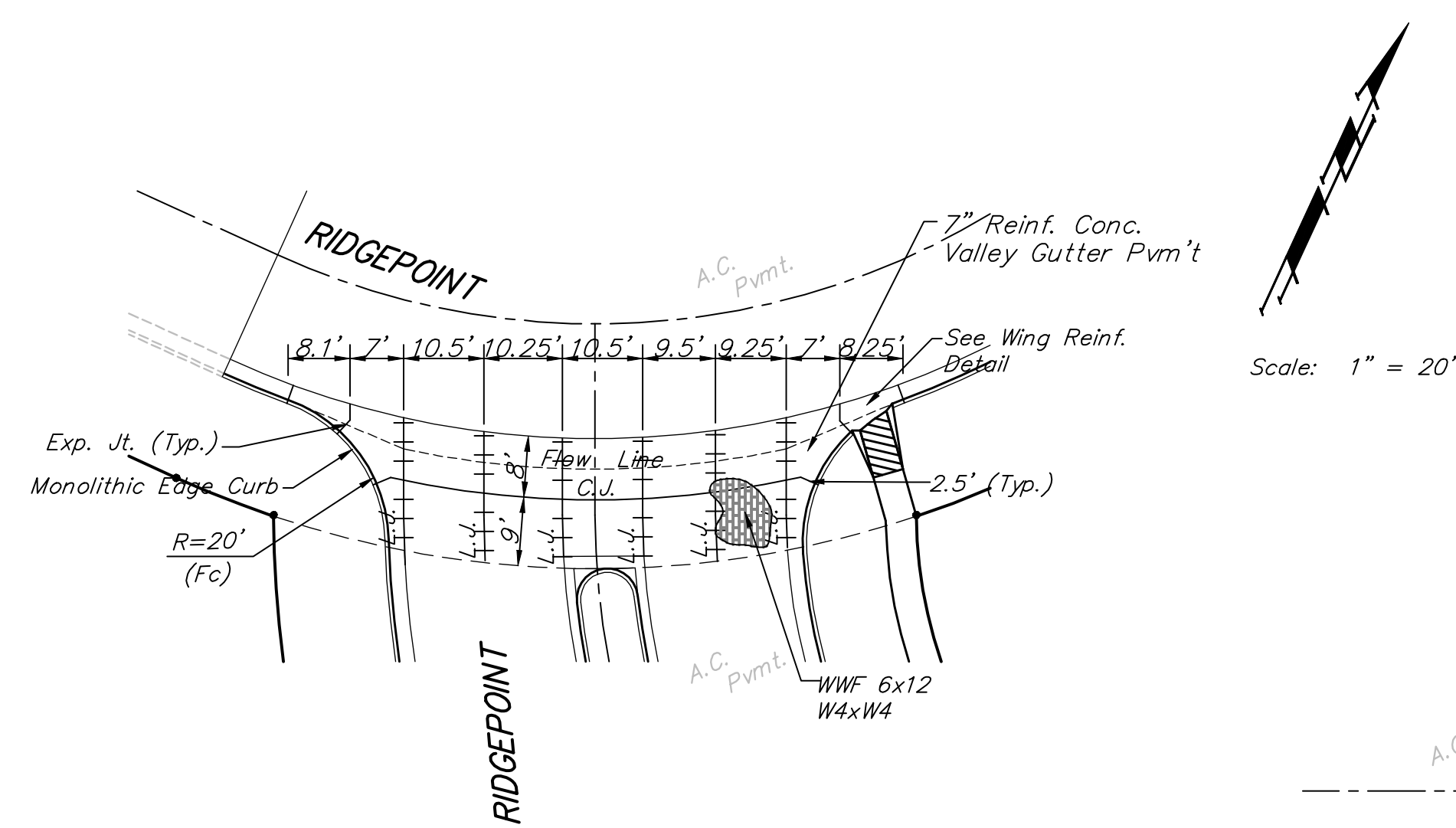
SAW JOINT DETAIL "A"



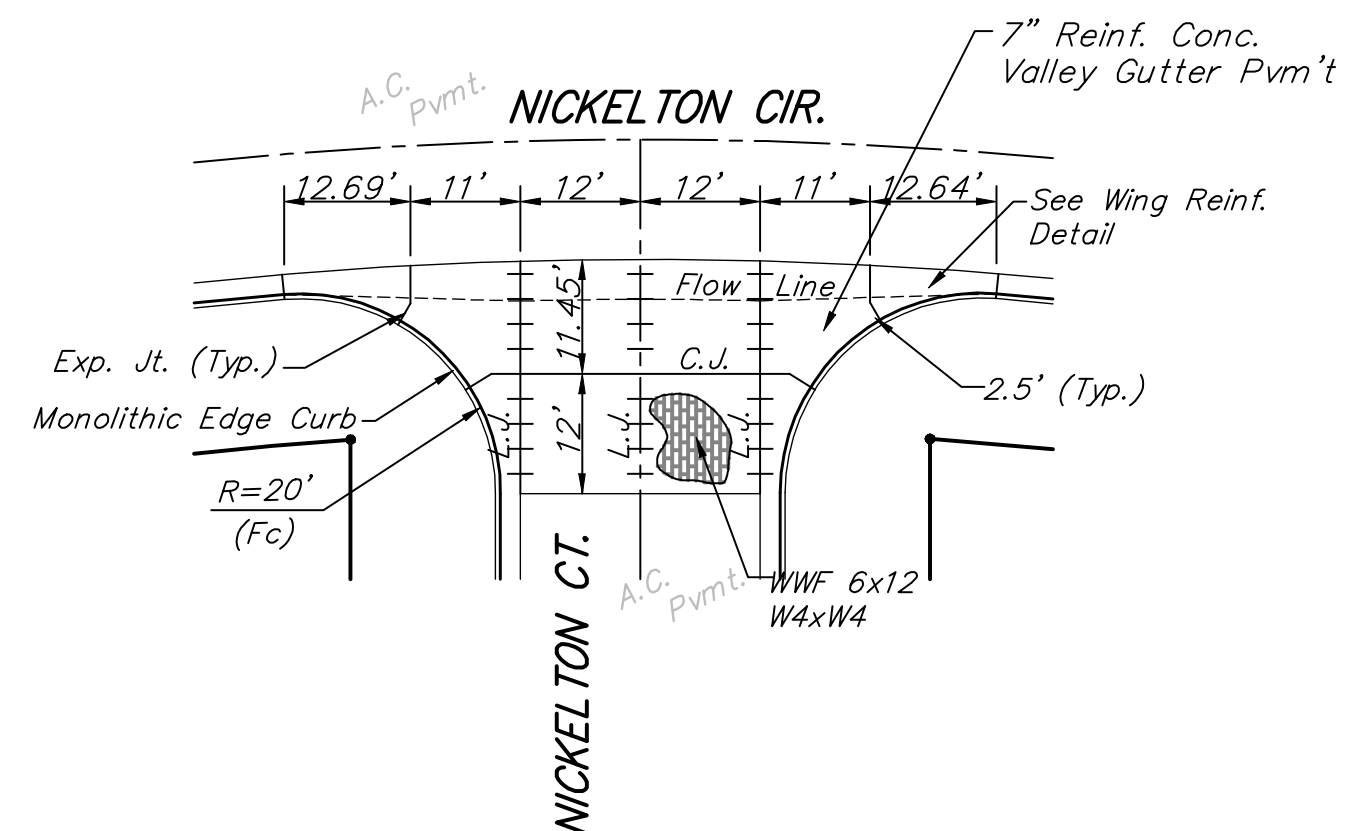
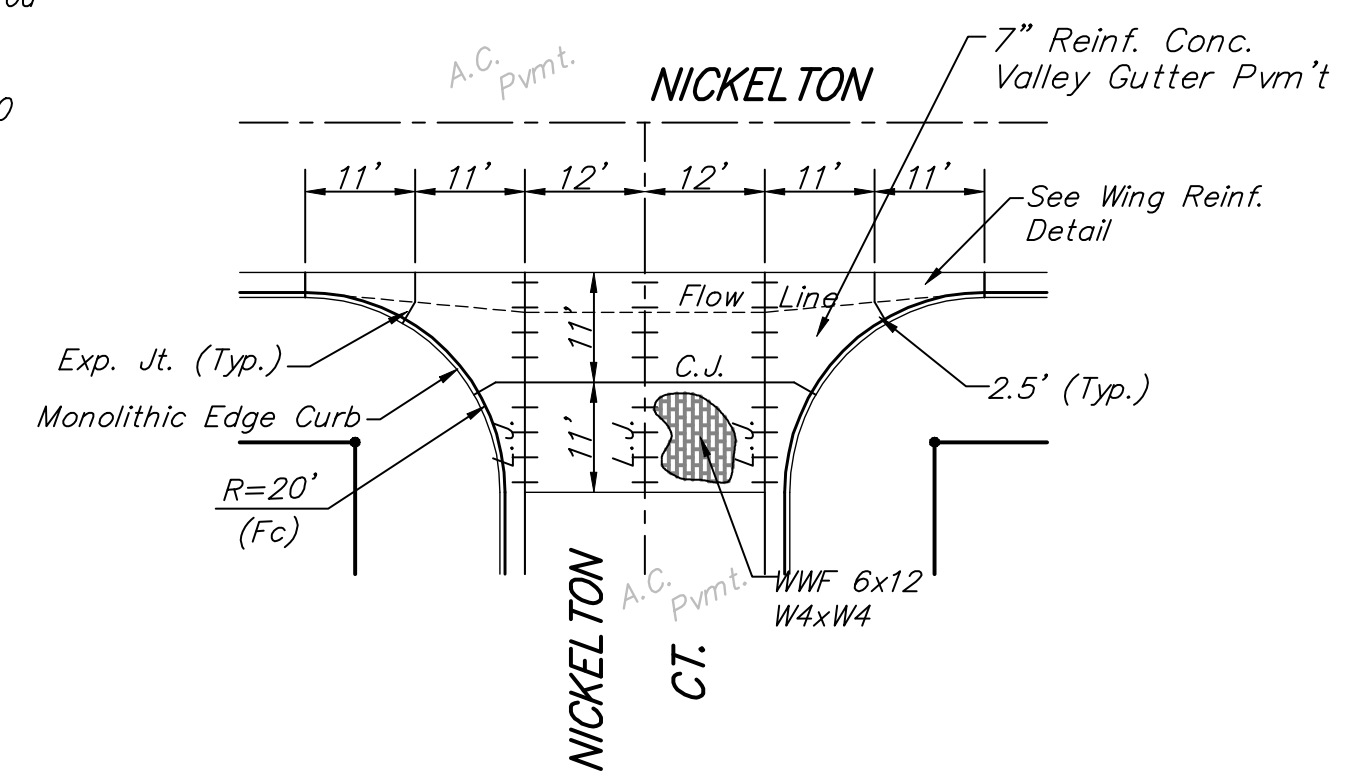
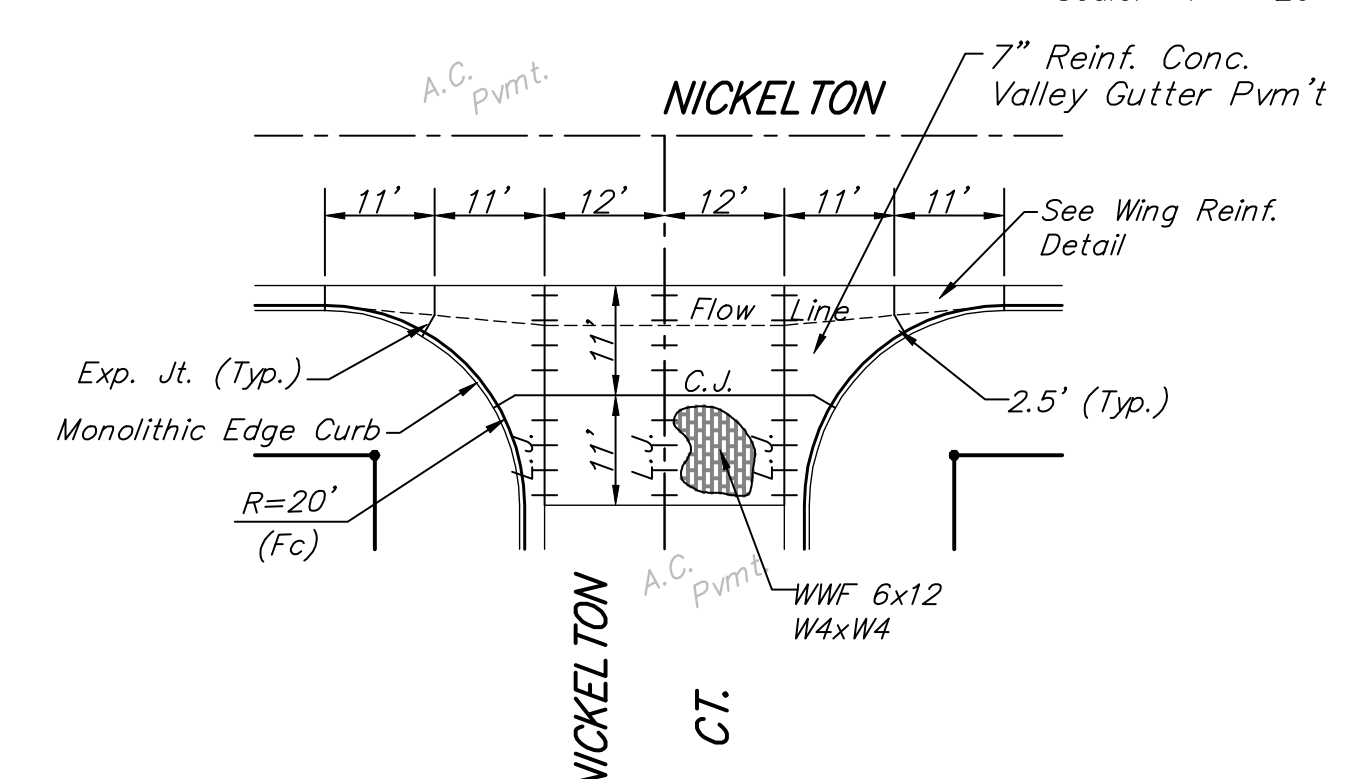
SAW JOINT DETAIL "B"



WHEELCHAIR RAMP DETAIL



NICKEL TON



NOTE: 6" X 12" W4XW4 Wire Fabric Reinforcing Shall Be Placed So That The Wires With The 6" Spacing Will Run Parallel With The Longitudinal Joints.

VALLEY GUTTER DETAILS			
		<small>Baughman Company, P.A. 315 Ellis St. Wichita, KS 67211 P 316-262-7271 F 316-262-0149 ENGINEERING SURVEYING PLANNING LANDSCAPE ARCHITECTURE</small>	
PROJECT NUMBER 472-84459	DESIGN STAFF 	DRAWN STAFF 	DATE 7/18/07
REVISIONS:	SCALE NONE SHEET 5 OF 44		