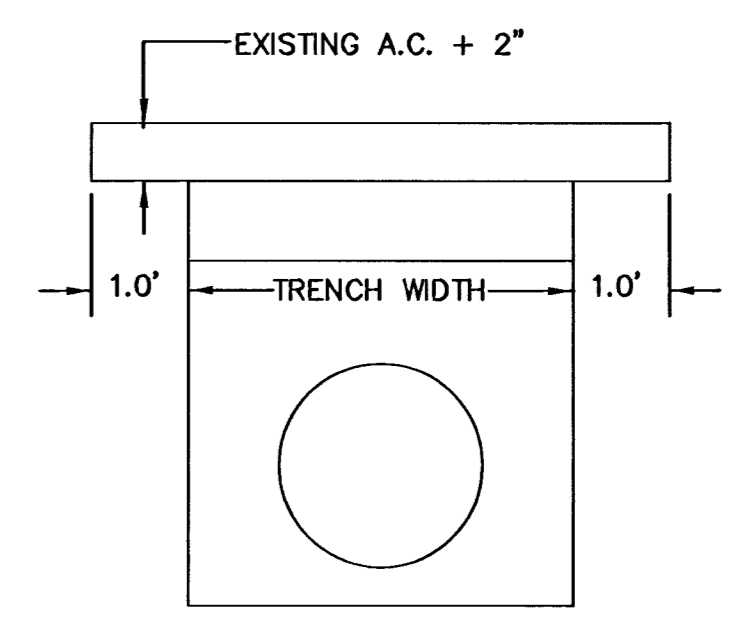




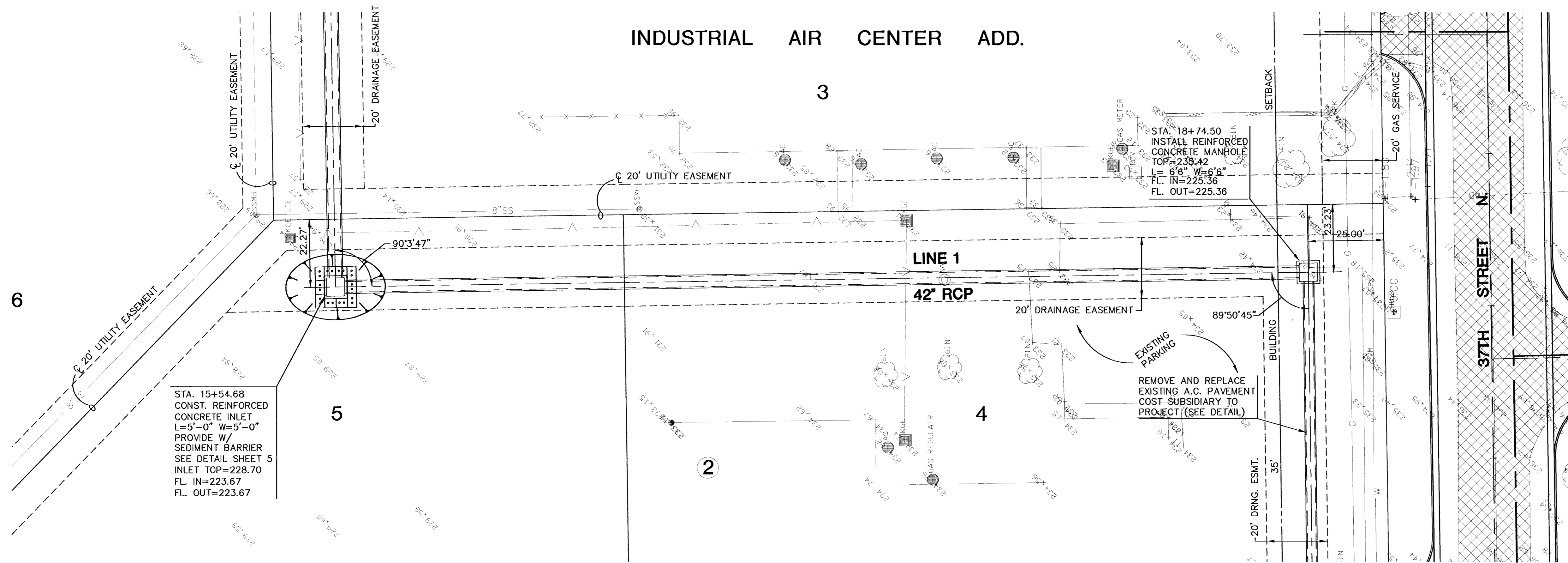
COMOTARA INDUSTRIAL
PARK 4TH ADD.



PAVEMENT DETAIL
ABOVE TRENCH
NO SCALE

REVISED 12/31/96

INDUSTRIAL AIR CENTER ADD.



PLAN - LINE 1

SCALE: 1"=20'

PROFILE - LINE 1

SCALE: HORIZ. 1"=20'
SCALE: VERT. 1"=5'

