

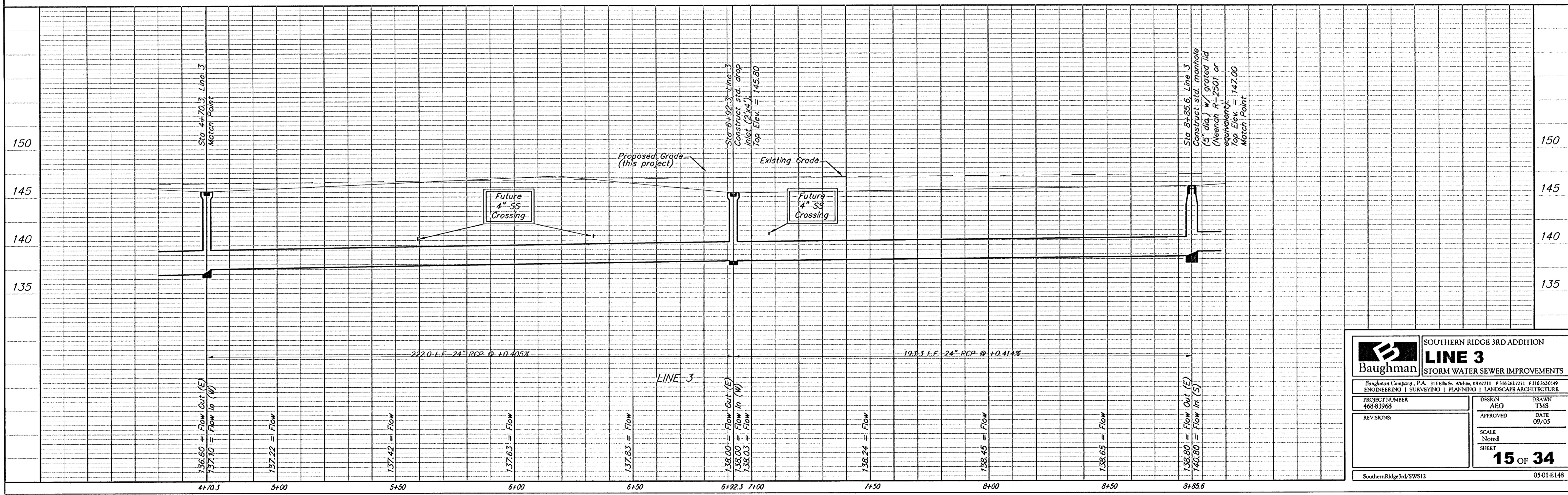
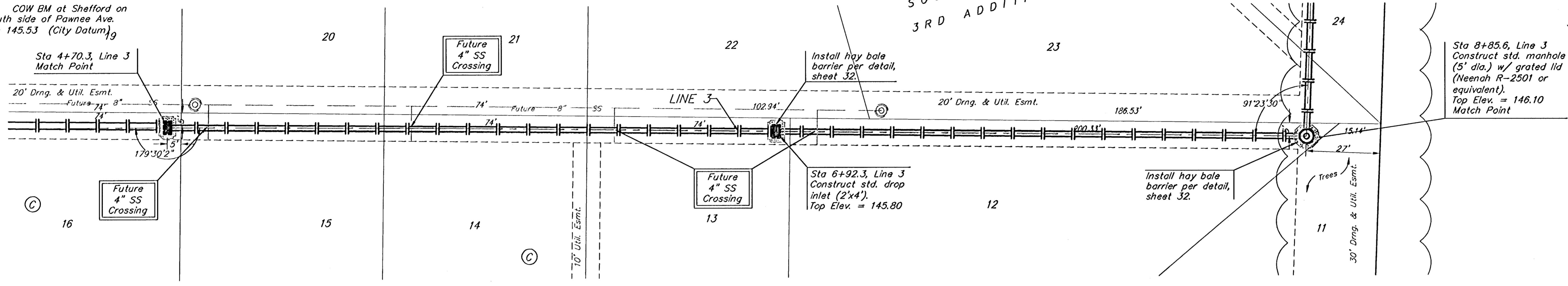
BENCHMARKS:
 BM #1: COW Disc at South West Corner of the Intersection of Lark & Atlanta.
 Elev. = 145.20 (City Datum)

BM #2: COW Disc at North West side of Westgate at South End of Lot 13 Block "B" Southern Ridge Addition.
 Elev. = 144.10 (City Datum)

BM #3: COW BM at Shefford on the south side of Pawnee Ave.
 Elev. = 145.53 (City Datum)

SOUTHERN RIDGE
 3RD ADDITION

Scale: 1" = 20' Horizontal
 1" = 5' Vertical
 • = Iron



	SOUTHERN RIDGE 3RD ADDITION	
	LINE 3	
STORM WATER SEWER IMPROVEMENTS		
<small>Baughman Company, P.A. 319 8th St. W. Suite 403 01111 F 316-524-0149 ENGINEERING SURVEYING PLANNING LANDSCAPE ARCHITECTURE</small>		
PROJECT NUMBER 468-83968	DESIGN AEG	DRAWN TMS
REVISIONS:	APPROVED	DATE 09/05
	SCALE Noted	SHEET 15 OF 34
SouthernRidge3rd/SWS12		05-01-E148