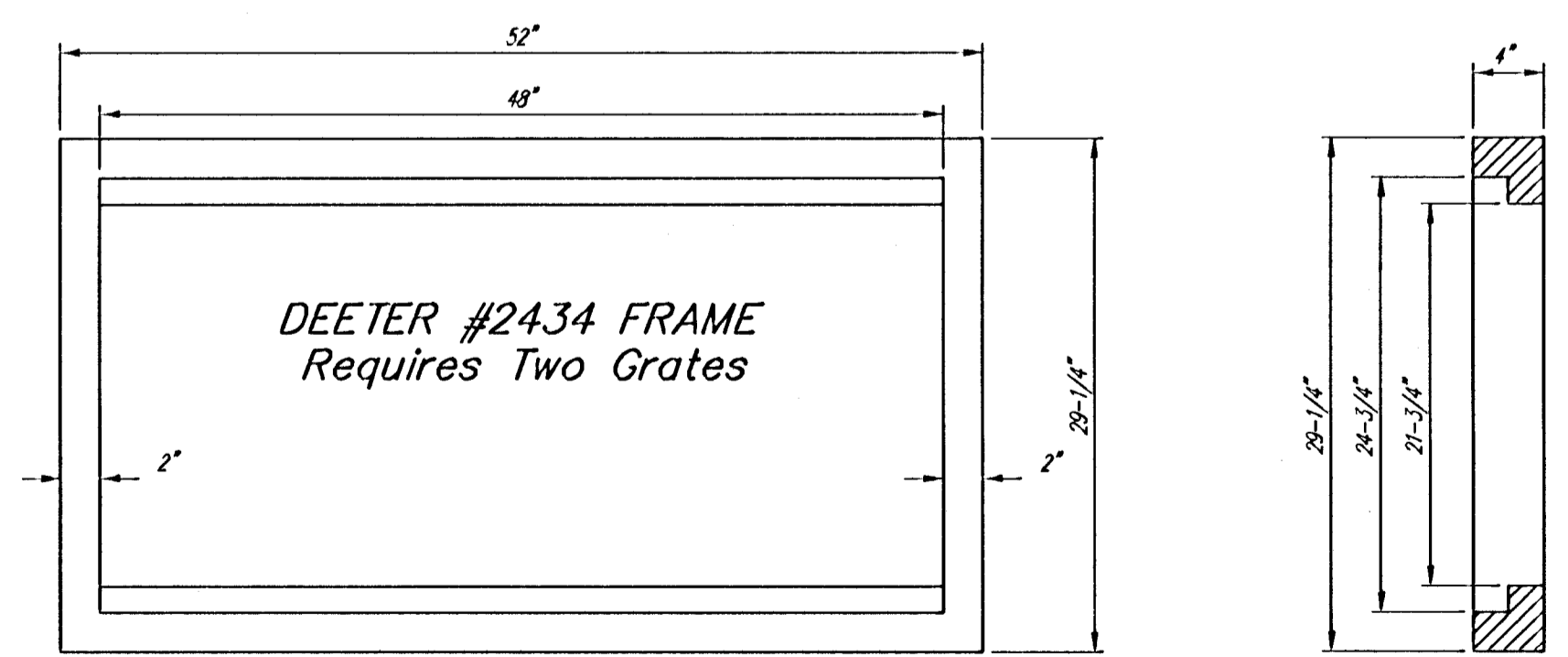


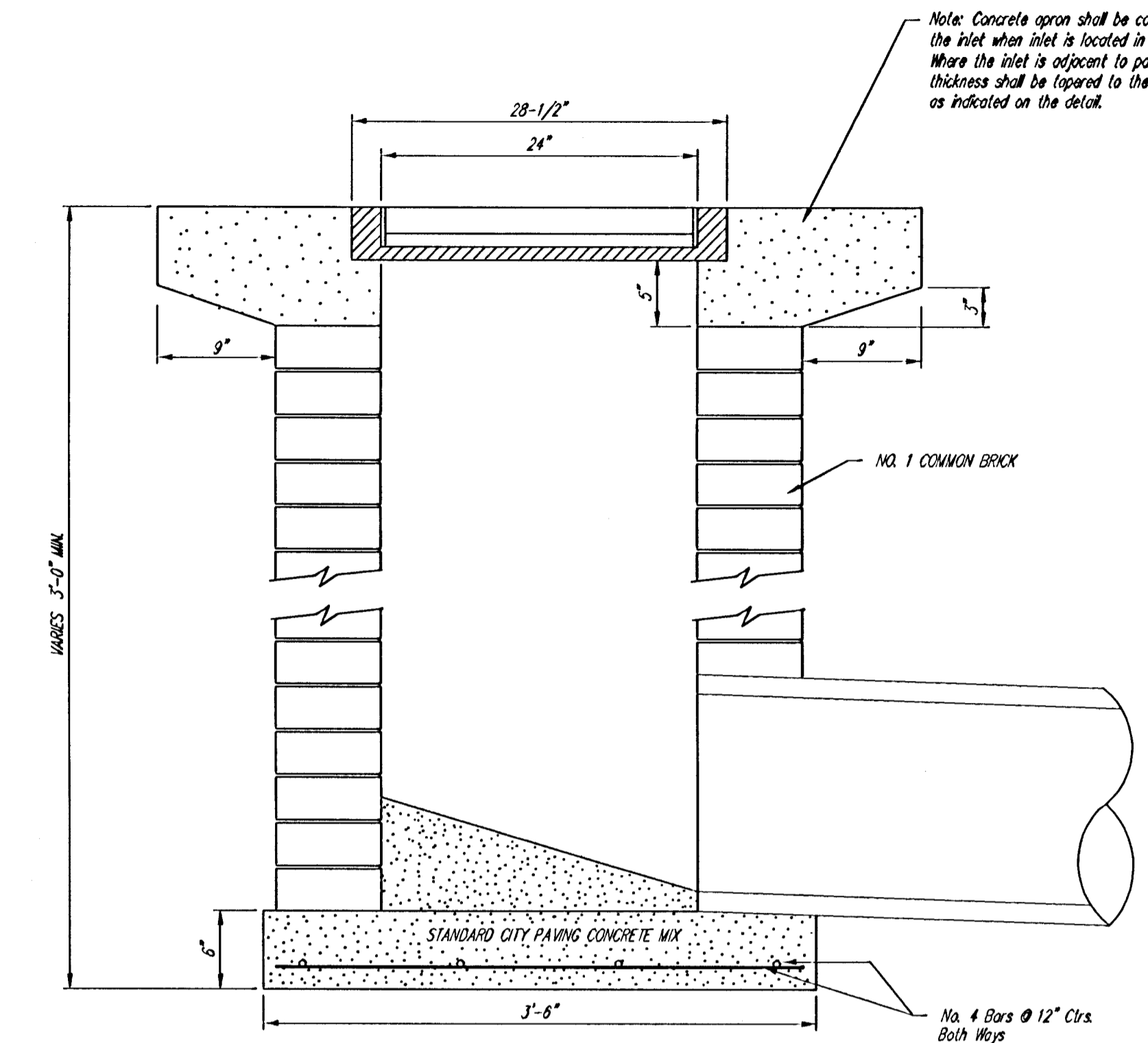
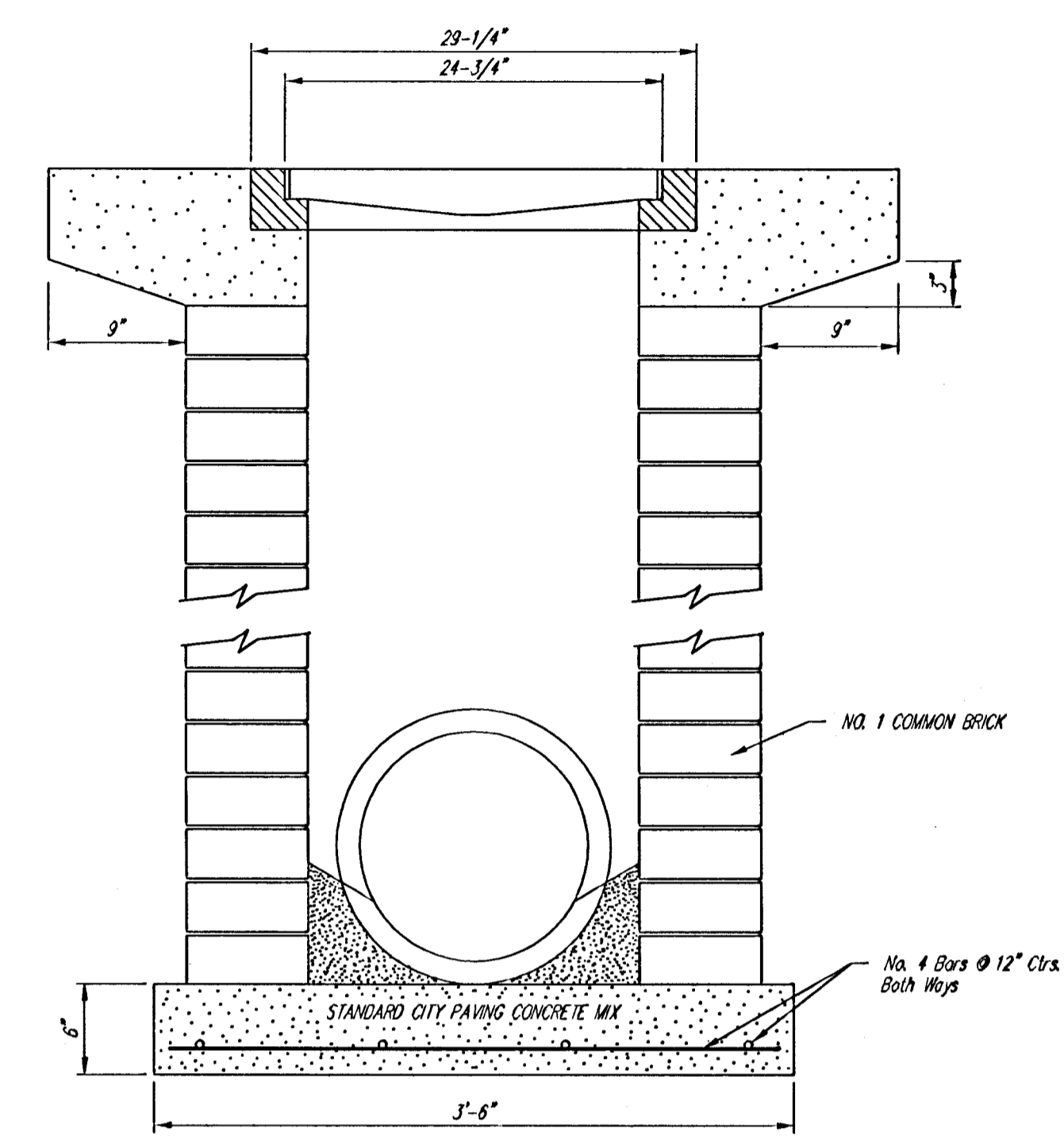
DEETER #2433 GRATE

24" x 24" Frame and Grate Detail

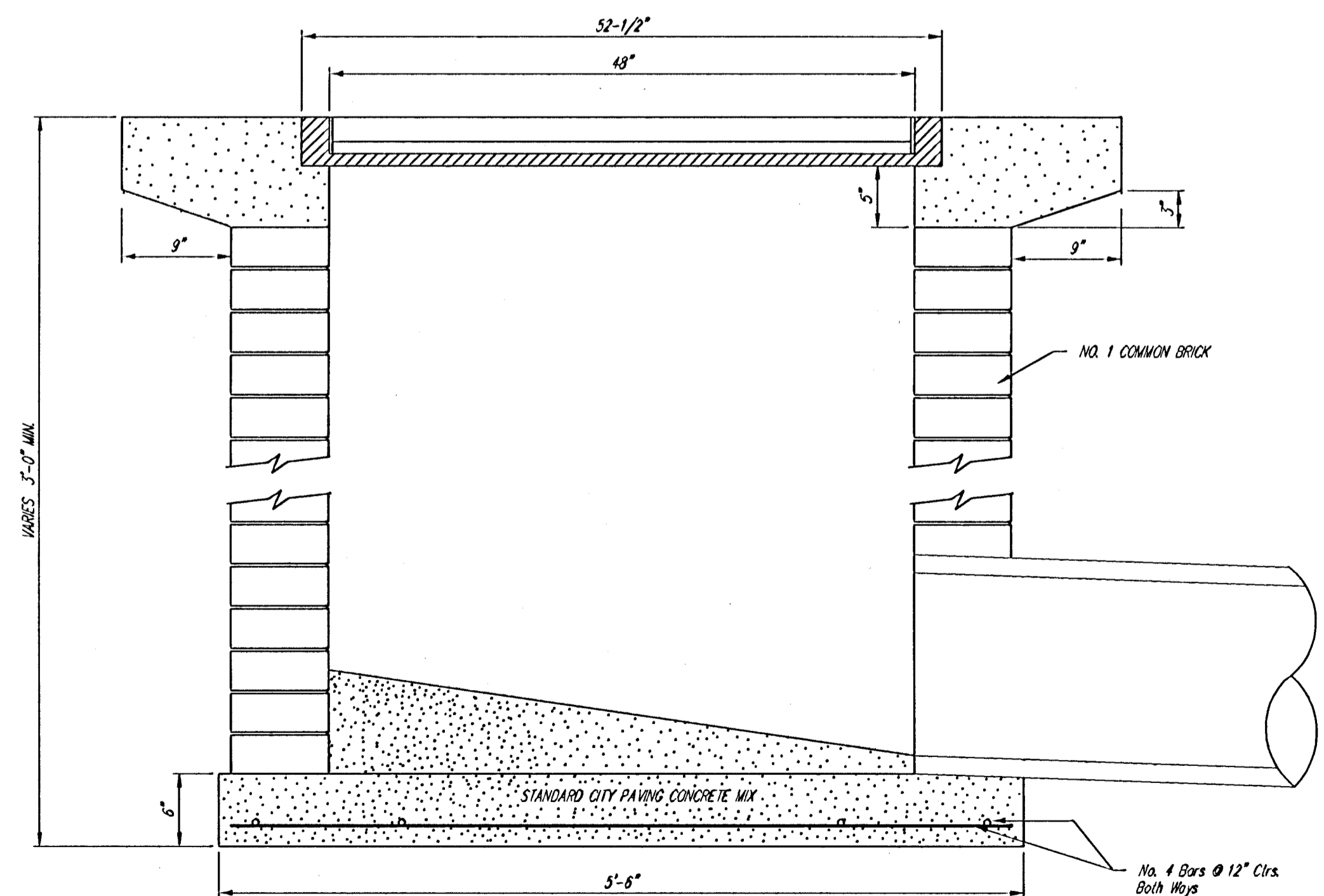
NOTE: Grates shall be imprinted on the top surface with "CITY OF WICHITA" using letters at least 1" in height. Other marking methods may be approved by the engineer.



Double 24" x 24" Frame Detail



Note: Concrete apron shall be constructed around the inlet when inlet is located in an unposed area. Where the inlet is adjacent to pavement, the pavement thickness shall be tapered to the inlet in 9 inches as indicated on the detail.



	City of Wichita Standard	
	<b>Drop Inlet Detail</b>	
Baughman Company, P.A. 315 Ellis St. Wichita, KS 67211 P 316-263-7271 F 316-263-0149		
ENGINEERING   SURVEYING   PLANNING   LANDSCAPE ARCHITECTURE		
PROJECT NUMBER 468-83968	DESIGN C.O.W.	DRAWN STAFF
REVISIONS	APPROVED	DATE 09/05
	SCALE NONE	SHEET
		<b>22 OF 34</b>