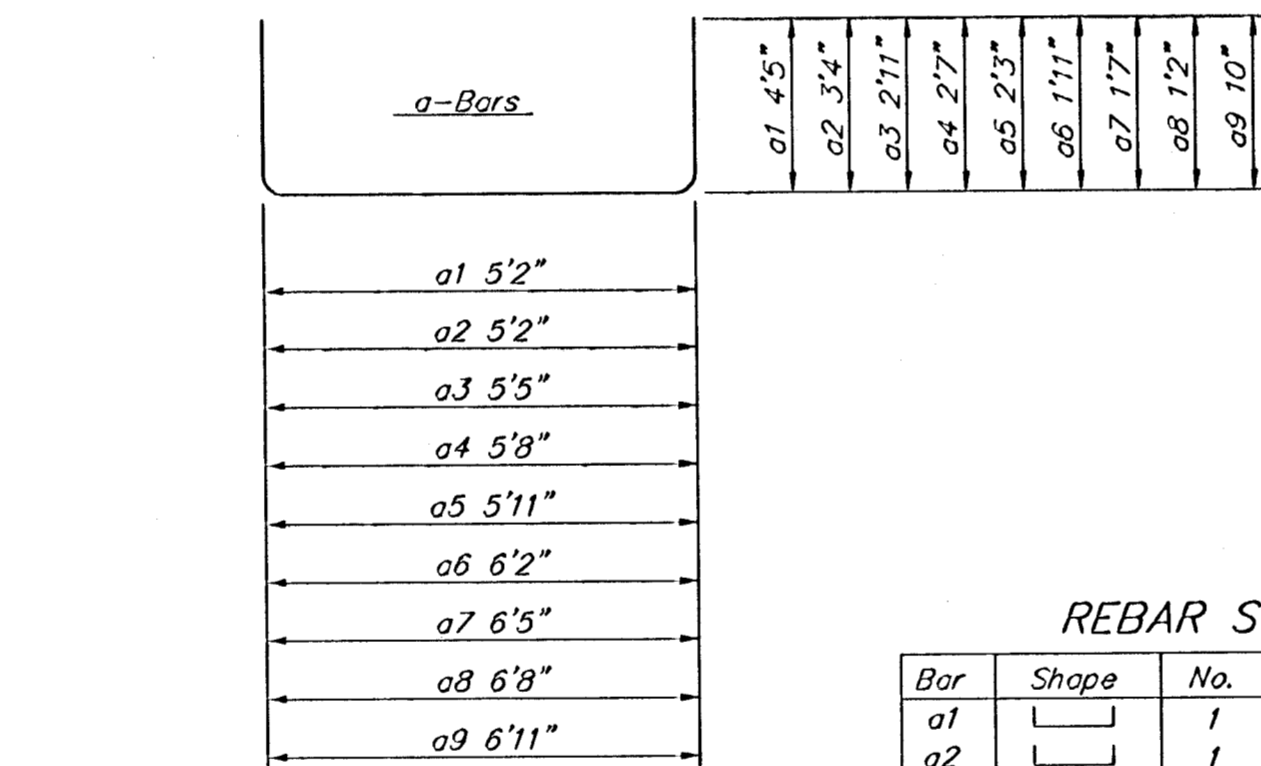
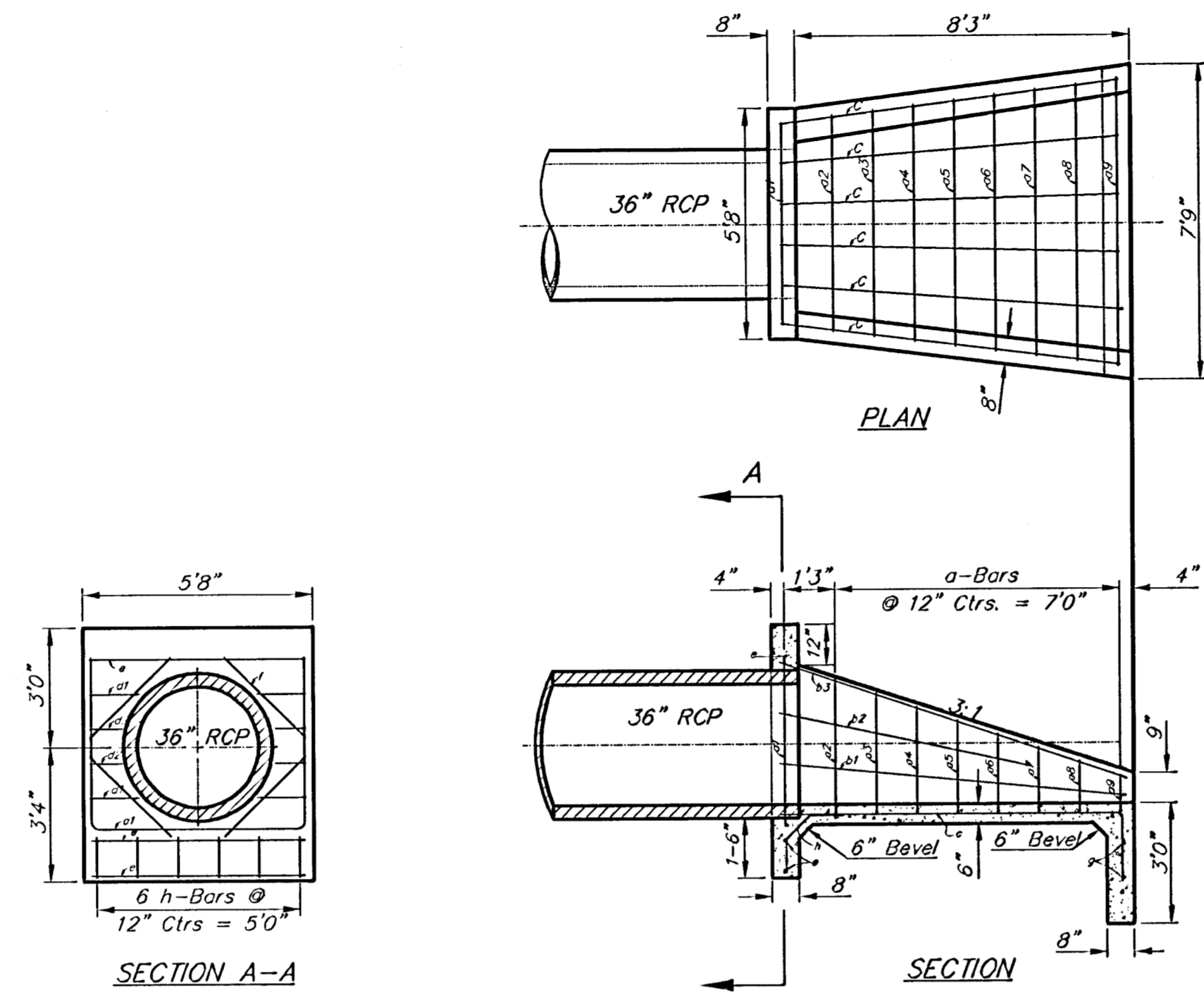


REBAR SCHEDULE

Bar	Shape	No.	Length	Weight
a1	[]	1	15'7"	10.41
a2	[]	1	13'10"	9.24
a3	[]	1	13'5"	8.96
a4	[]	1	13'0"	8.68
a5	[]	1	12'6"	8.35
a6	[]	1	12'1"	8.07
a7	[]	1	11'8"	7.79
a8	[]	1	11'3"	7.52
a9	[]	1	10'9"	7.18
a10	[]	1	10'5"	6.96
a11	[]	1	10'0"	6.68
a12	[]	1	9'7"	6.40
b1	[]	2	10'8"	14.24
b2	[]	2	7'9"	10.35
b3	[]	2	11'2"	14.91
c	[]	8	12'6"	66.80
d1	[]	4	1'3"	3.34
d2	[]	4	9"	2.00
e	[]	3	6'2"	12.36
f	[]	4	3'5"	9.14
g	[]	2	8'9"	11.69
h	[]	7	2'6"	11.69
Total Rebar			252.76 Lbs.	
Concrete			C.Y.	

A Deduction in Concrete Quantities Has Been Made for Pipe Openings Through the Headwall
 * Field Bend or Cut Reinforcing as Required for Clearance.
 All Concrete Reinforcement to be #4 Rebar
 All Rebar to Have Min. of 1 1/2" Conc. Cover

HEADWALL FOR 48" RCP

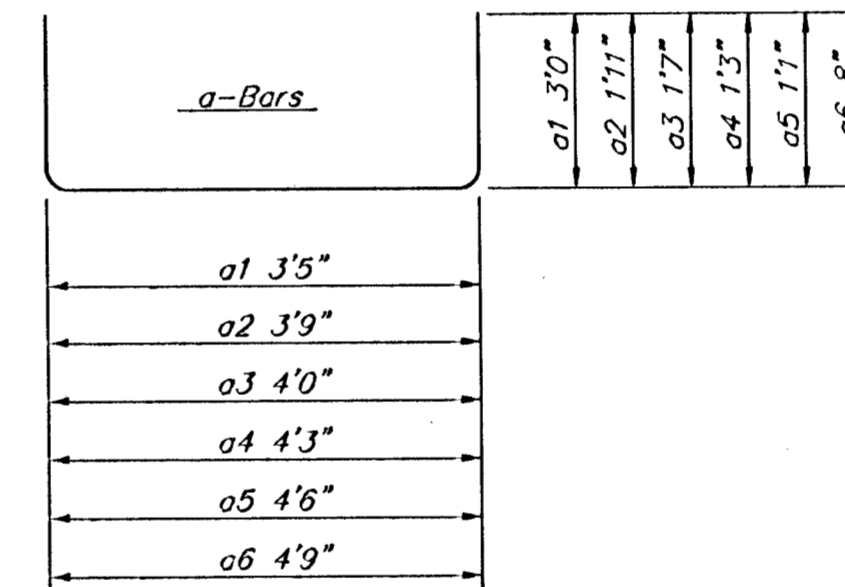
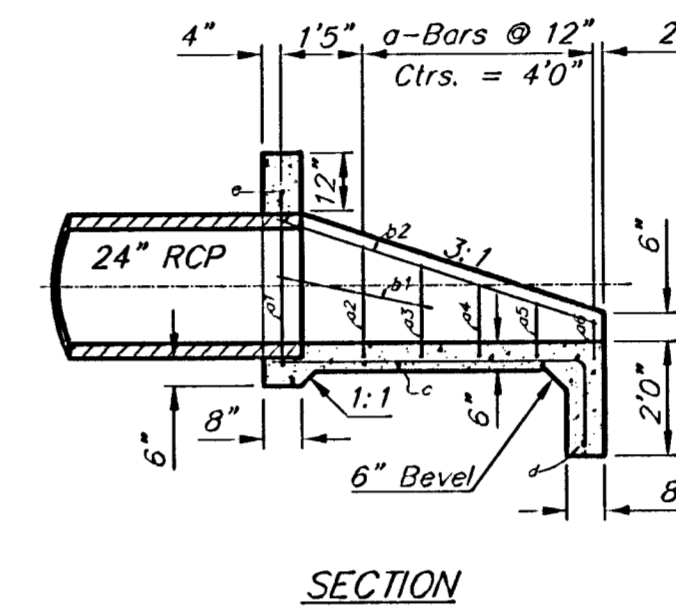
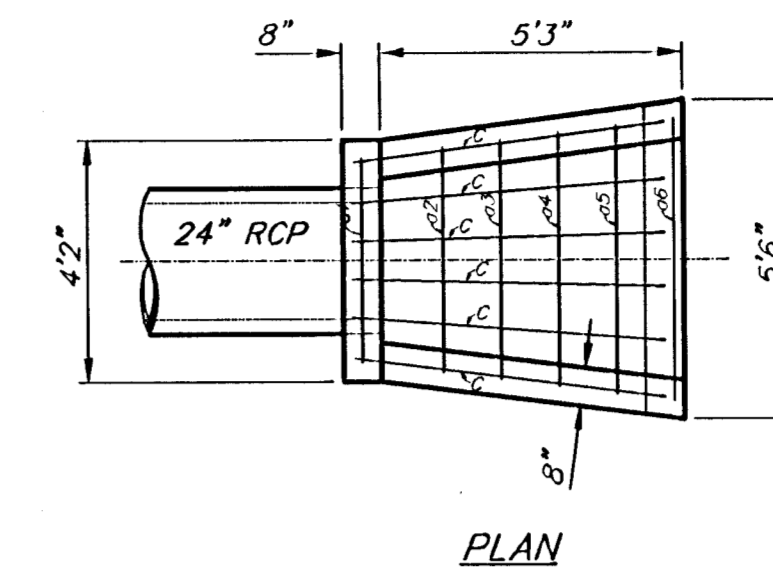


REBAR SCHEDULE

Bar	Shape	No.	Length	Weight
a1	[]	1	14'0"	9.35
a2	[]	1	11'10"	7.90
a3	[]	1	11'3"	7.52
a4	[]	1	10'10"	7.24
a5	[]	1	10'5"	6.96
a6	[]	1	10'0"	6.68
a7	[]	1	9'7"	6.40
a8	[]	1	9'0"	6.01
a9	[]	1	8'7"	5.73
b1	[]	2	8'5"	11.24
b2	[]	2	4'7"	6.12
b3	[]	2	9'0"	12.02
c	[]	6	10'4"	41.42
d1	[]	4	1'6"	4.01
d2	[]	4	1'0"	2.23
e	[]	3	5'4"	10.69
f	[]	4	3'0"	8.02
g	[]	2	7'0"	9.35
h	[]	6	2'6"	10.02
Total Rebar			178.91 Lbs.	
Concrete			3.20 C.Y.	

A Deduction in Concrete Quantities Has Been Made for Pipe Openings Through the Headwall
 * Field Bend or Cut Reinforcing as Required for Clearance.
 All Concrete Reinforcement to be #4 Rebar
 All Rebar to Have Min. of 1 1/2" Conc. Cover

HEADWALL FOR 36" RCP



REBAR SCHEDULE

Bar	Shape	No.	Length	Weight
a1	[]	1	9'5"	6.29
a2	[]	1	7'7"	5.07
a3	[]	1	7'2"	4.79
a4	[]	1	6'9"	4.51
a5	[]	1	6'4"	4.23
a6	[]	1	6'1"	4.06
b1	[]	2	2'9"	3.67
b2	[]	2	5'10"	7.79
c	[]	6	6'11"	27.72
d	[]	1	5'0"	3.37
e	[]	1	3'10"	2.56
Total Rebar			74.03 Lbs.	
Concrete			1.40 C.Y.	

A Deduction in Concrete Quantities Has Been Made for Pipe Openings Through the Headwall
 * Field Bend or Cut Reinforcing as Required for Clearance.
 All Concrete Reinforcement to be #4 Rebar
 All Rebar to Have Min. of 1 1/2" Conc. Cover

HEADWALL FOR 24" RCP

GENERAL NOTES

- ALL PIPES SHALL BE FLUSH CUT PRIOR TO BEING CAST INTO CONCRETE HEADWALL
- CONCRETE USED IN HEADWALL CONSTRUCTION SHALL BE SAME AS PER CITY STANDARD PAVING MIX EXCEPT THAT IT SHALL HAVE A MINIMUM 28 DAY COMPRESSIVE STRENGTH OF 4000 PSI.
- ALL EXPOSED EDGES SHALL BE BEVELED 1/2".
- REINFORCING STEEL SHALL COMPLY TO A.S.T.M. DESIGNATION A615 GRADE 60. ALL DIMENSIONS RELATIVE TO REINFORCING STEEL ARE TO CENTERLINE OF BAR UNLESS OTHERWISE NOTED.
- THE "REIN. CONC. HEADWALL" SHALL BE PAID FOR AT THE UNIT PRICE BID PER EACH IN PLACE WHICH SHALL INCLUDE ALL LABOR, MATERIALS, EXCAVATION, CONCRETE, REINFORCING STEEL AND ALL OTHER INCIDENTAL ITEMS NECESSARY TO COMPLETE THE WORK. MATERIAL QUANTITIES SHOWN ARE FOR INFORMATION ONLY.

Baughman		HEADWALL DETAIL	
Baughman Company, P.A. 315 Ellis St. Wilkes-Barre, PA 18701 F 316-262-7111 F 316-262-0149 ENGINEERING SURVEYING LANDSCAPE ARCHITECTURE			
PROJECT NUMBER 46843968	DESIGN BLP/DMV	DRAWN JAK	
REVISIONS	APPROVED	DATE 09-05	
	SCALE Noted		
	SHEET		23 OF 34