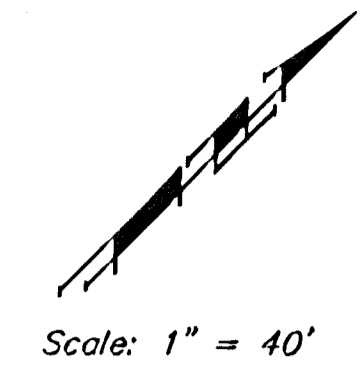
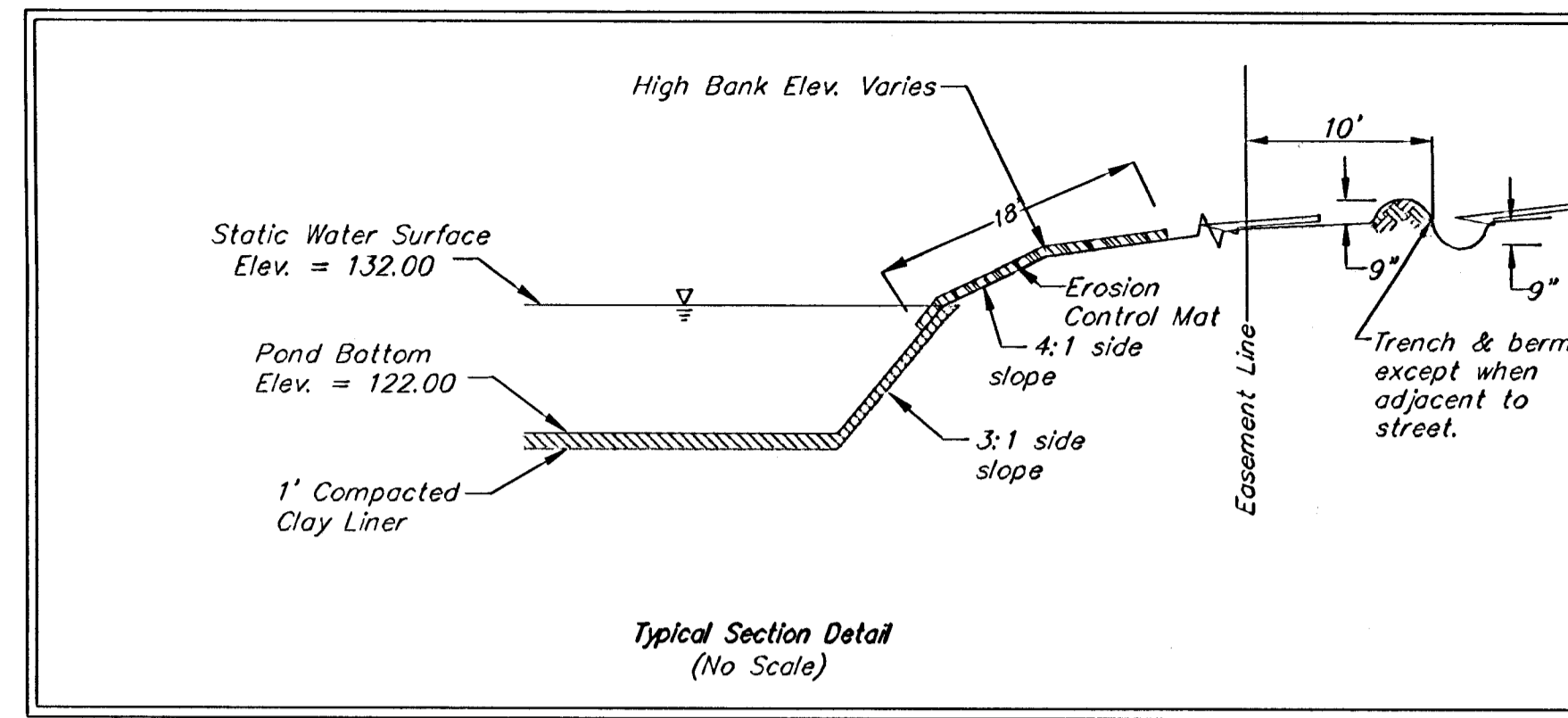


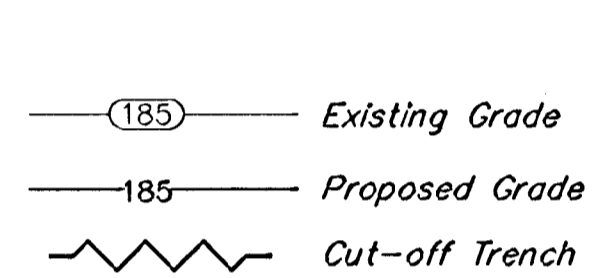
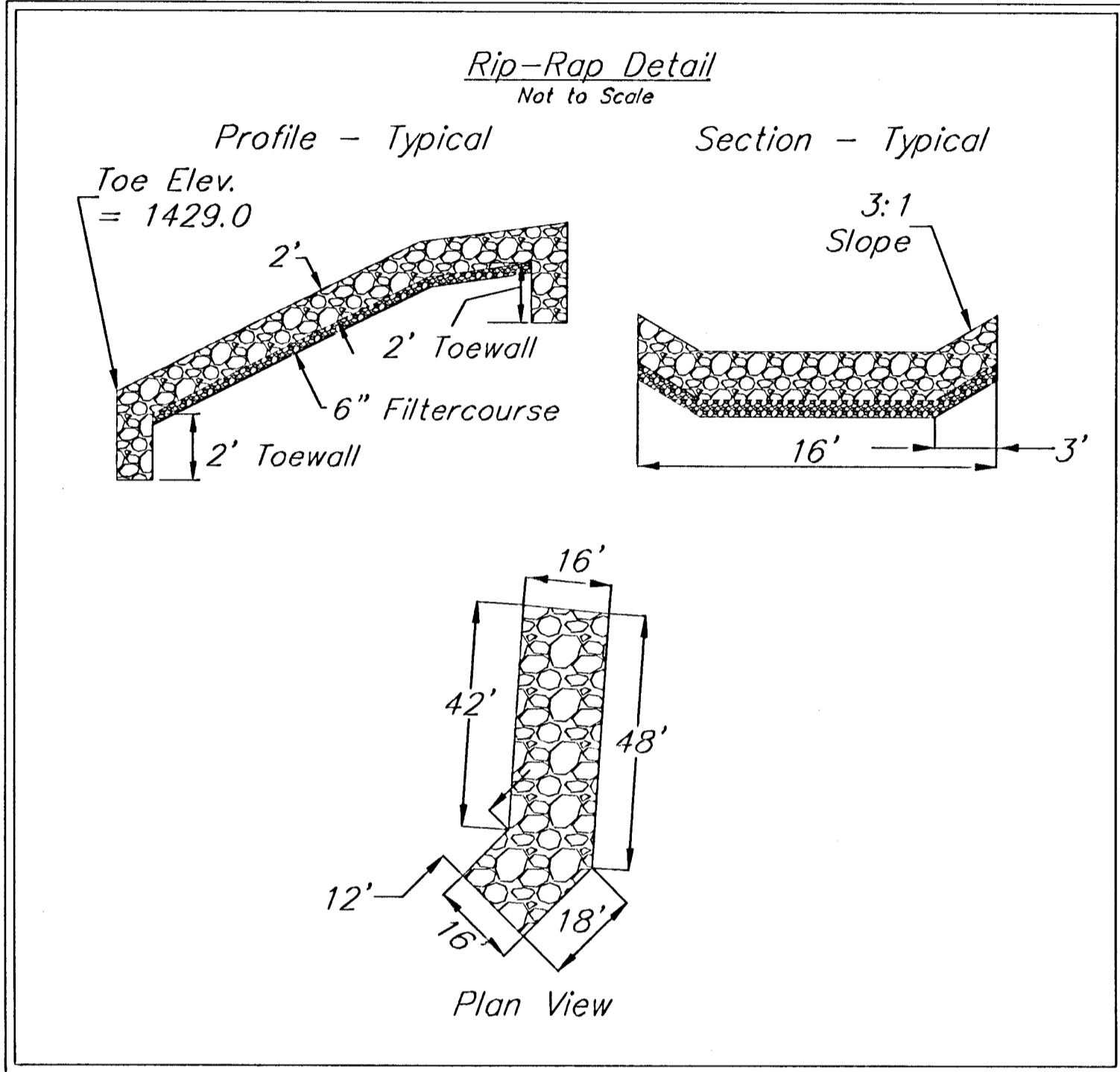
**NOTES:**

- Pond bottom and sideslopes below static pool elevation shall be over-excavated 1' and a 1" clay liner shall be compacted to 95% std. density. The plasticity index (P.I.) shall be at least 30. The compaction and P.I. shall be verified during construction. P.I. determination and compaction testing shall be arranged by the contractor at the request of the inspector. Cost shall be incidental to "Site Clearing & Restoration". Cost of over-excavation to install Clay Liner shall be incidental to bid item, "Excavation."
- All of Reserve "B" above the static water surface shall be seeded and mulched as follows: (Permanent Seeding)  
**SEED** -- Kansas Premium Fescue Blend; 8#/1000 Sq. Ft.  
**FERTILIZER** -- 12-24-12 Ratio at 350 Lbs./Ac.  
**MULCH** -- 2 Tons Prairie Hay / Acre  
 All other disturbed areas not in street R/W are to be seeded as follows: (Temporary seeding)  
**SEED** -- Rye grass (PLS)--5#/1000 Sq. Ft. and Kansas Premium Fescue Blend; 5#/1000 Sq. Ft.
- Install Erosion Control Mat from 1' below the water surface to top of 4:1 slope.
- Contractor to strip top 3" of soil within Res. "B" and street R/W before mass grading and stockpile. Top soil stockpile to be redistributed over Reserve "B" above water elevation prior to seeding.
- Compaction of 95% shall be obtained in all street R/W's, 90% in all other areas.
- Contractor shall shape pond around existing headwalls and end sections as necessary.



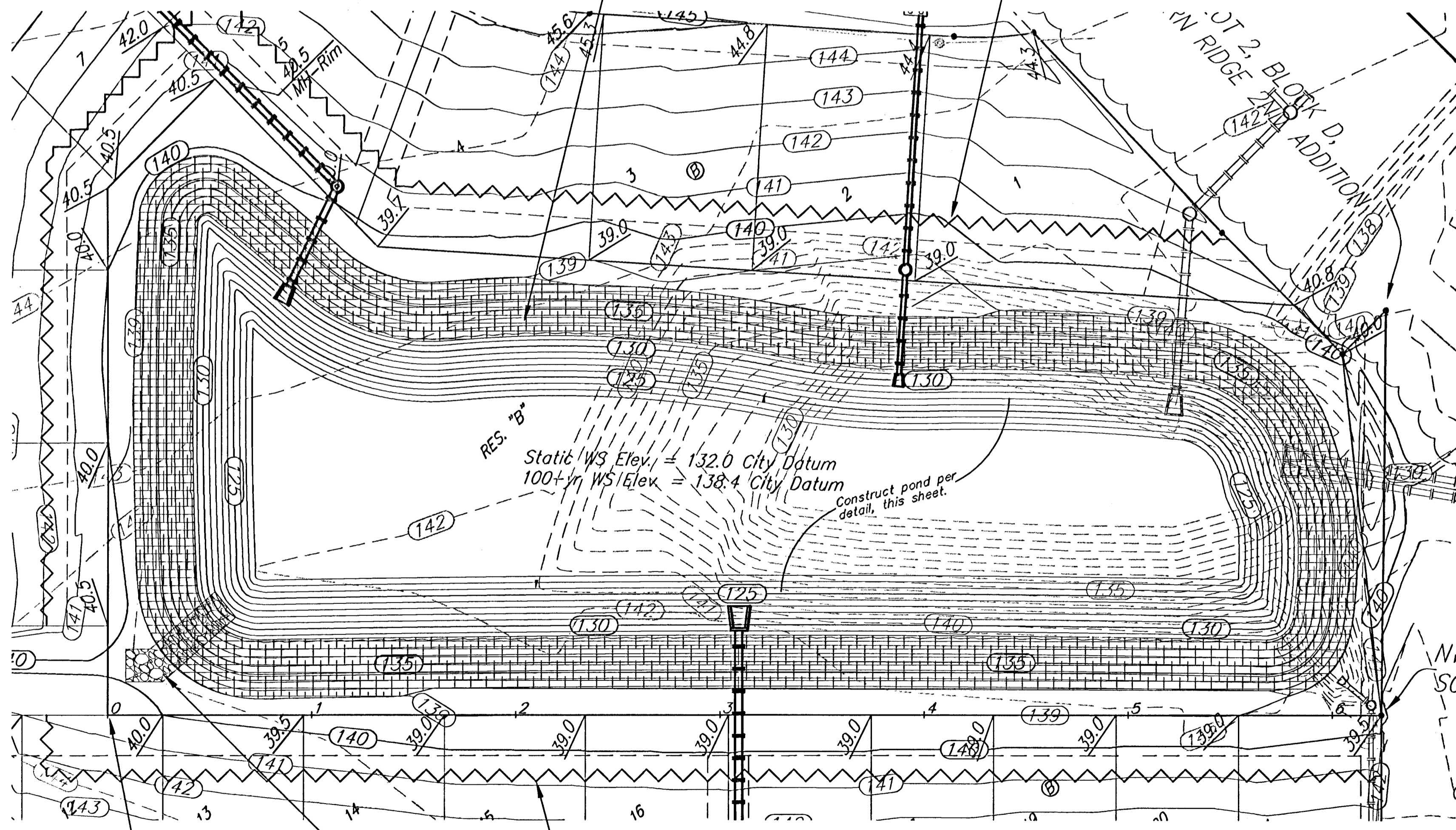
EARTH WORK TOTALS		
	C.Y. Cut	C.Y. Fill
Mass Grading	19,534	68,608
Pond Construction	43,888	890
<b>Total Earthwork</b>	<b>63,422</b>	<b>69,498</b>

Earthwork quantities do not include correction factors and are for reference only. All cost associated with mass grading shall be included in the bid item "Mass Grading".



Install 4,490 S.Y. Curlex II or approved equal. Erosion control mat shall be installed and anchored per details, this sheet. Note: This quantity does not include excess material necessary for overlap and anchoring.

Construct 879 L.F. cut-off trench per detail, this sheet.



Install 107 S.Y. Rip-Rap per Details, This Sheet.

Construct 684 L.F. cut-off trench per detail, this sheet. Cost to be included in "Soil Erosion BMPs".

	SOUTHERN RIDGE 3RD ADDITION	
	<b>POND PLAN</b> WICHITA, KANSAS	
<small>Baughman Company, P.A. 315 Ellis St. Wichita, KS 67211 P 316-263-7271 F 316-262-0149          ENGINEERING   SURVEYING   PLANNING   LANDSCAPE ARCHITECTURE</small>		
PROJECT NUMBER	DESIGN	DRAWN
REVISIONS	APPROVED	DATE
	SCALE	07-05
	Noted	
	SHEET	
	<b>27 OF 34</b>	
SouthernRidge3rdPond		05-01-E148