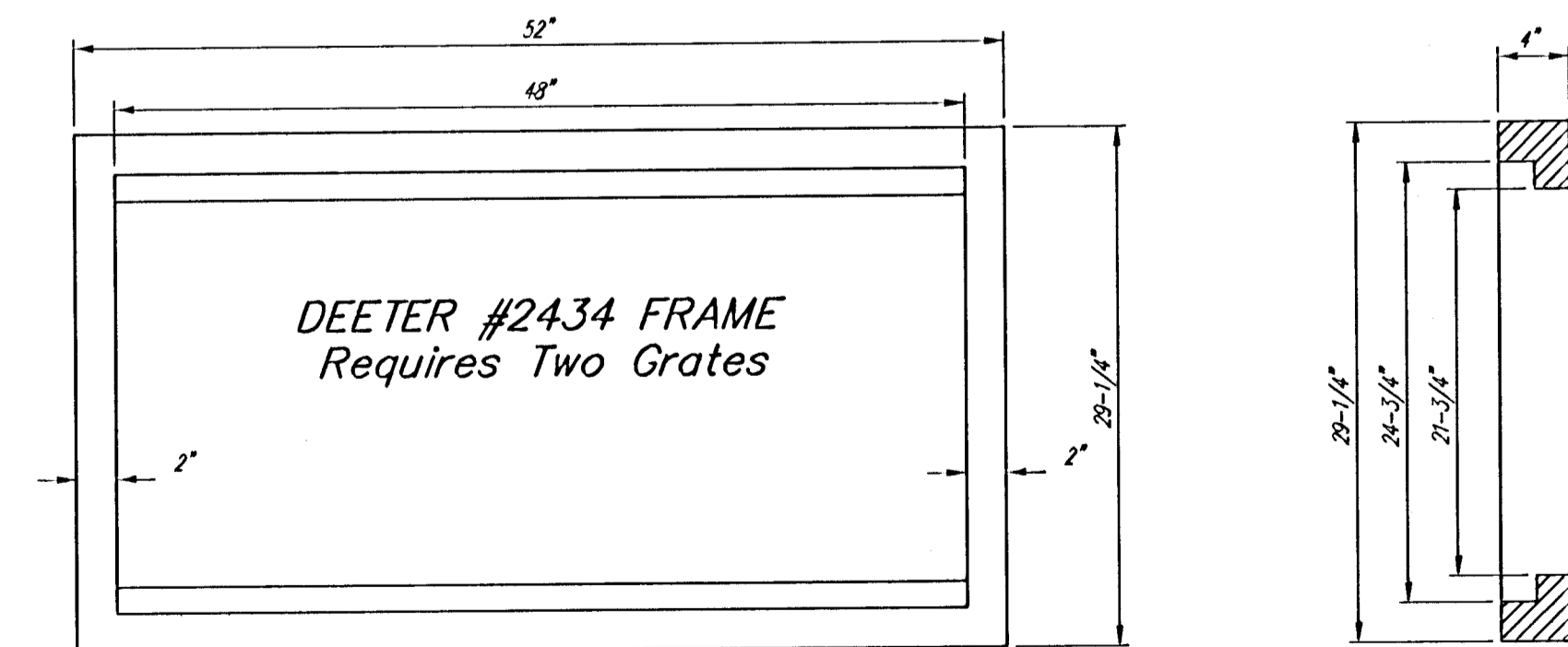


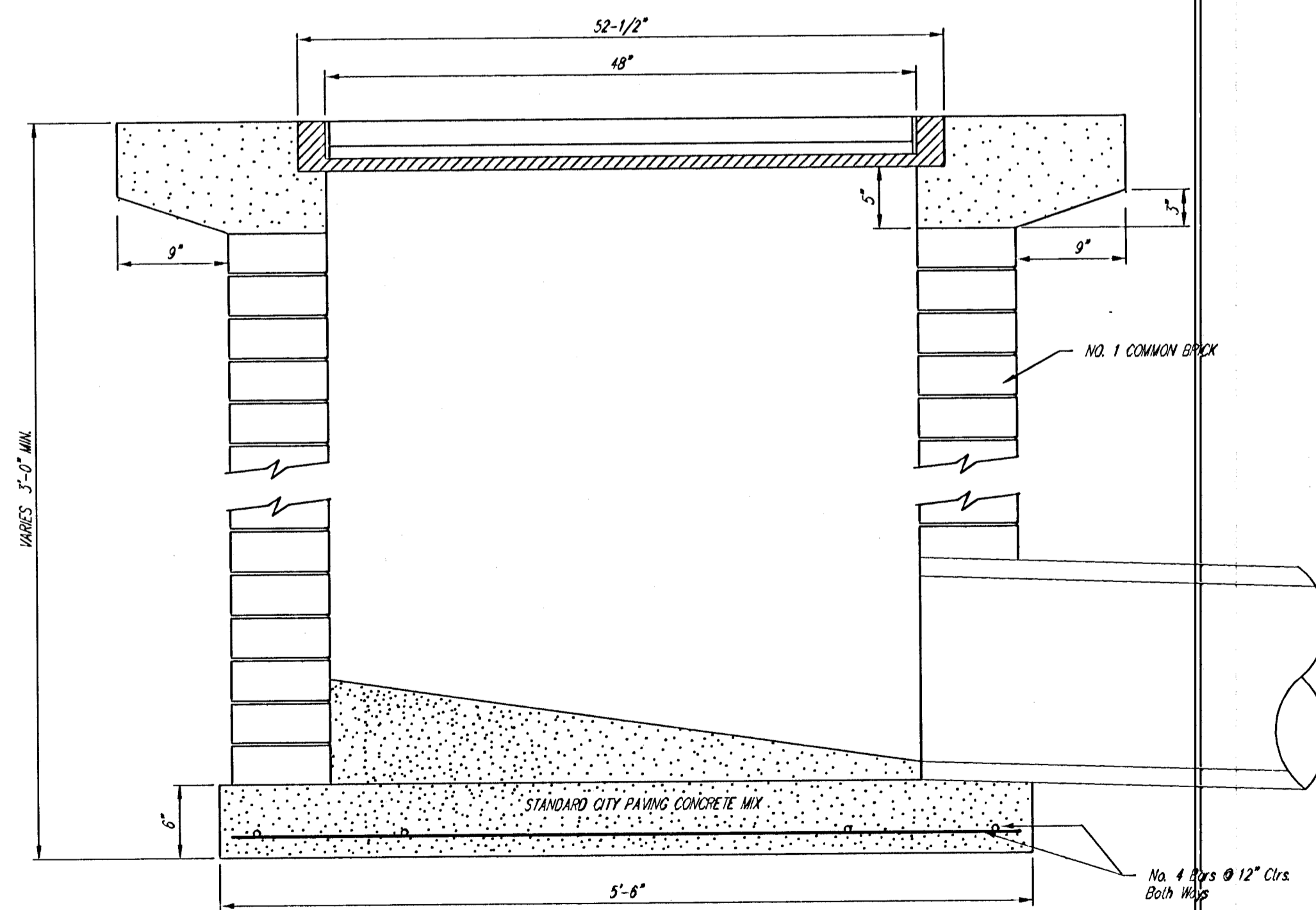
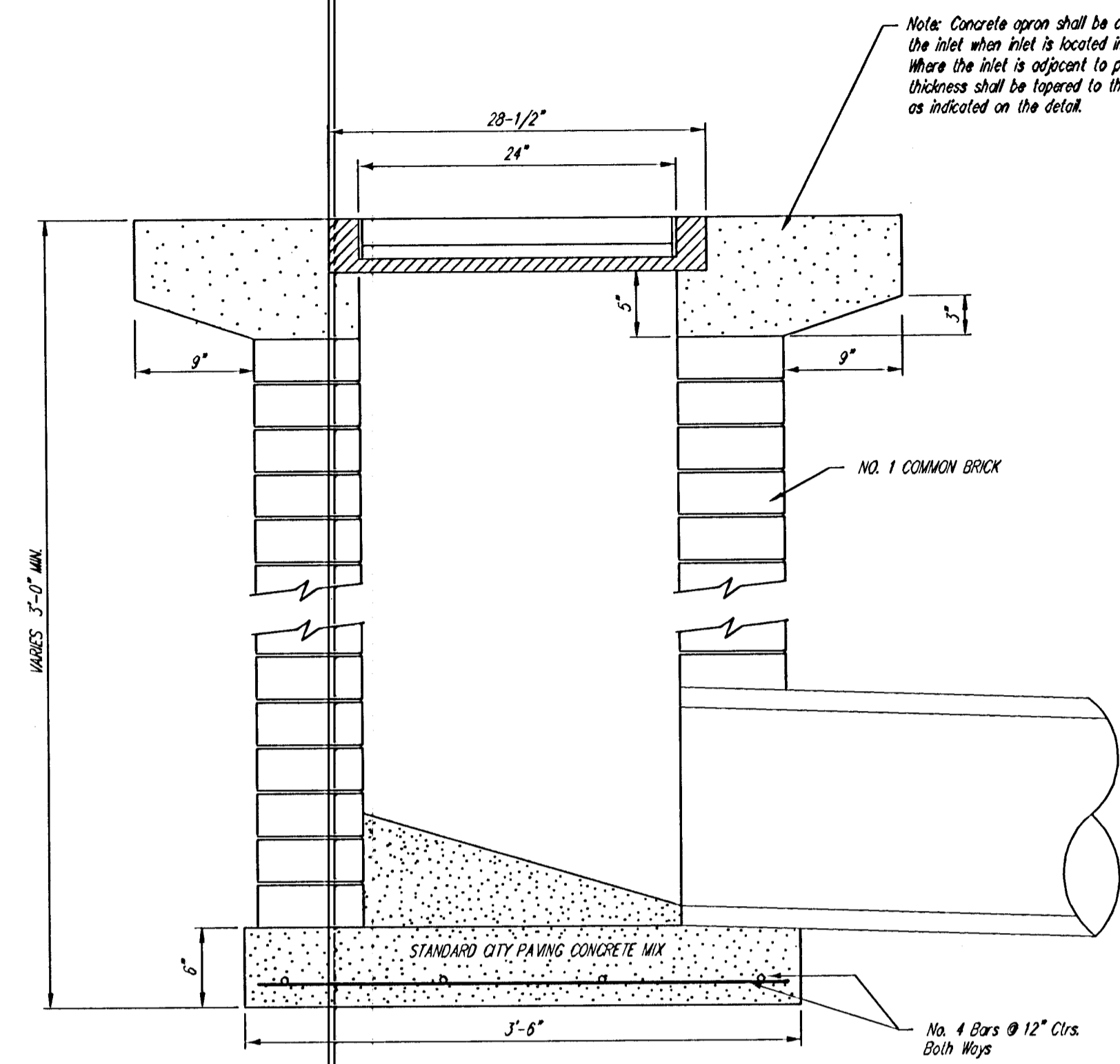
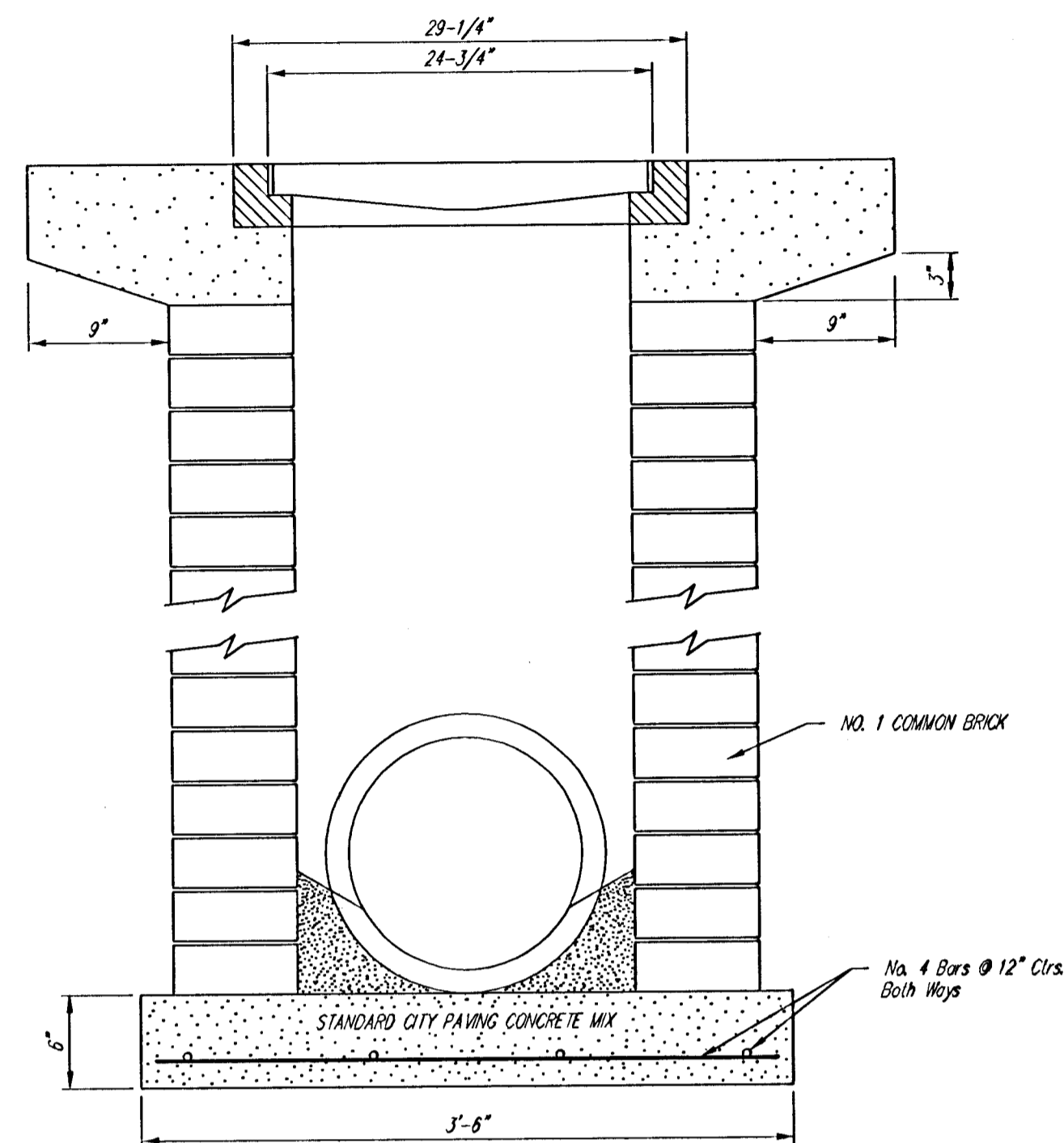
DEETER #2433 GRATE

24" x 24" Frame and Grate Detail

NOTE: Grates shall be imprinted on the top surface with "CITY OF WICHITA" using letters at least 1" in height. Other marking methods may be approved by the engineer.



Double 24" x 24" Frame Detail



	City of Wichita Standard	
	Drop Inlet Detail	
<small>Baughman Company, P.A. 315 Elm St. Wichita, KS 67211 P.3162637271 F.3162620149</small> <small>ENGINEERING SURVEYING PLANNING LANDSCAPE ARCHITECTURE</small>		
PROJECT NUMBER 46884092	DESIGN C.O.W.	DRAWN Staff
REVISIONS:	APPROVED	DATE 03/06/2006
	SCALE None	SHEET
		30 OF 47
<small>K42 Ind Park Bldg 300 Exp\DR0FINLT2</small>		