

PUMP STATION NOTES

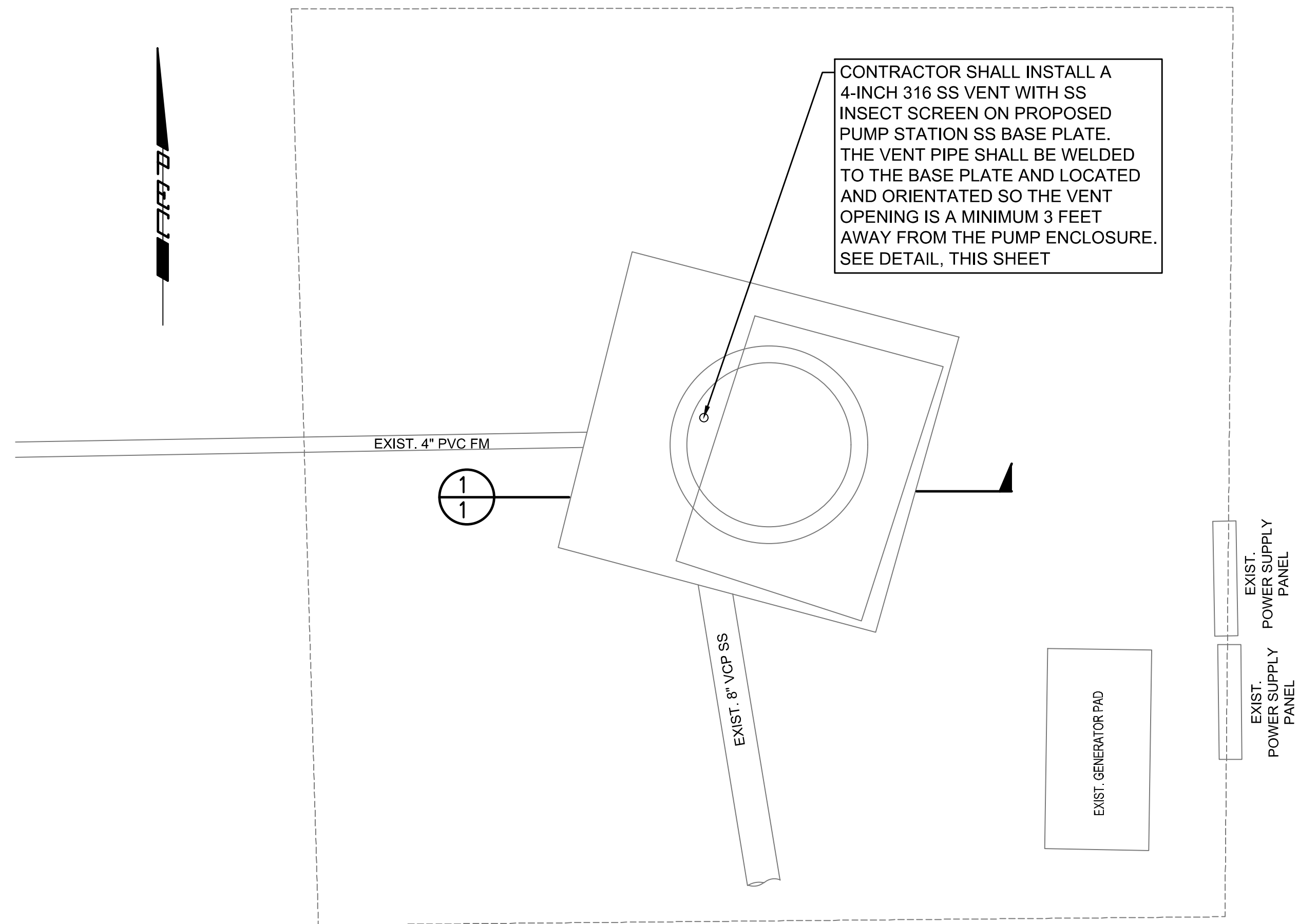
1. THE OWNER WILL PROVIDE THE PUMP STATION MODULE FOR INSTALLATION BY THE CONTRACTOR. THE CONTRACTOR SHALL NOT INCLUDE THE FURNISHING OF THIS EQUIPMENT IN THE PRICE BID.
2. THE PRICE BID FOR FURNISHING AND INSTALLING THE PUMP STATION INCLUDING THE WET WELL PUMP UNIT, AND MISCELLANEOUS APPURTENANCES SHALL INCLUDE ALL COSTS FOR INSTALLING THE PUMP STATION AS SHOWN IN THE PLANS COMPLETE, IN PLACE AND IN OPERATION. THIS PRICE SHALL INCLUDE THE COST OF CONSTRUCTING AND/OR INSTALLING COMPACTED SUBGRADE, CONCRETE PAVEMENT, ELECTRICAL COMPONENTS, CONDUIT AND WIRING, DISCONNECT SWITCH, PUMP UNIT, AUXILIARY POWER SUPPLY, PHONE SERVICE, ELECTRICAL POWER SUPPLY, NATURAL GAS SUPPLY, FINISHED GRADING, LANDSCAPING, FENCING, AND ANY OTHER INCIDENTALS NECESSARY TO COMPLETE THE WORK AND PLACE THE PUMP STATION INTO SATISFACTORY OPERATION. THE PRICE BID SHALL INCLUDE ALL SANITARY SEWER PIPE AND FORCE MAIN EXTENDED OUTSIDE THE SLAB AS SHOWN IN THE SITE PLAN AND DETAILS (THIS SHEET).
3. CONTRACTOR SHALL SUPPORT ALL PIPING INSIDE THE WET WELL AS REQUIRED.
4. ALL HARDWARE WITHIN THE WET WELL INCLUDING BRACKETS, BOLTS, NUTS, ETC. SHALL BE STAINLESS STEEL.
5. THE CONTRACTOR SHALL COORDINATE WITH EVERGY ENERGY, AT&T, AND KANSAS GAS SERVICE, AND EXTEND GAS SERVICE TO THE PUMP STATION SITE. THE CONTRACTOR SHALL VERIFY THE ELECTRICAL, TELEPHONE AND GAS SERVICE REQUIREMENTS THAT ARE TO BE PROVIDED BY EVERGY, AT&T, AND KGS.

NO SEPARATE PAYMENT WILL BE MADE TO THE CONTRACTOR FOR EXTENSION OF UTILITY SERVICE LINES, AND ALL REQUIRED COSTS FOR EXTENSION OF UTILITY SERVICE LINES SHALL BE INCLUDED IN THE LUMP SUM PRICE BID FOR THE PUMP STATION

THE CONTACT PEOPLE ARE LISTED BELOW

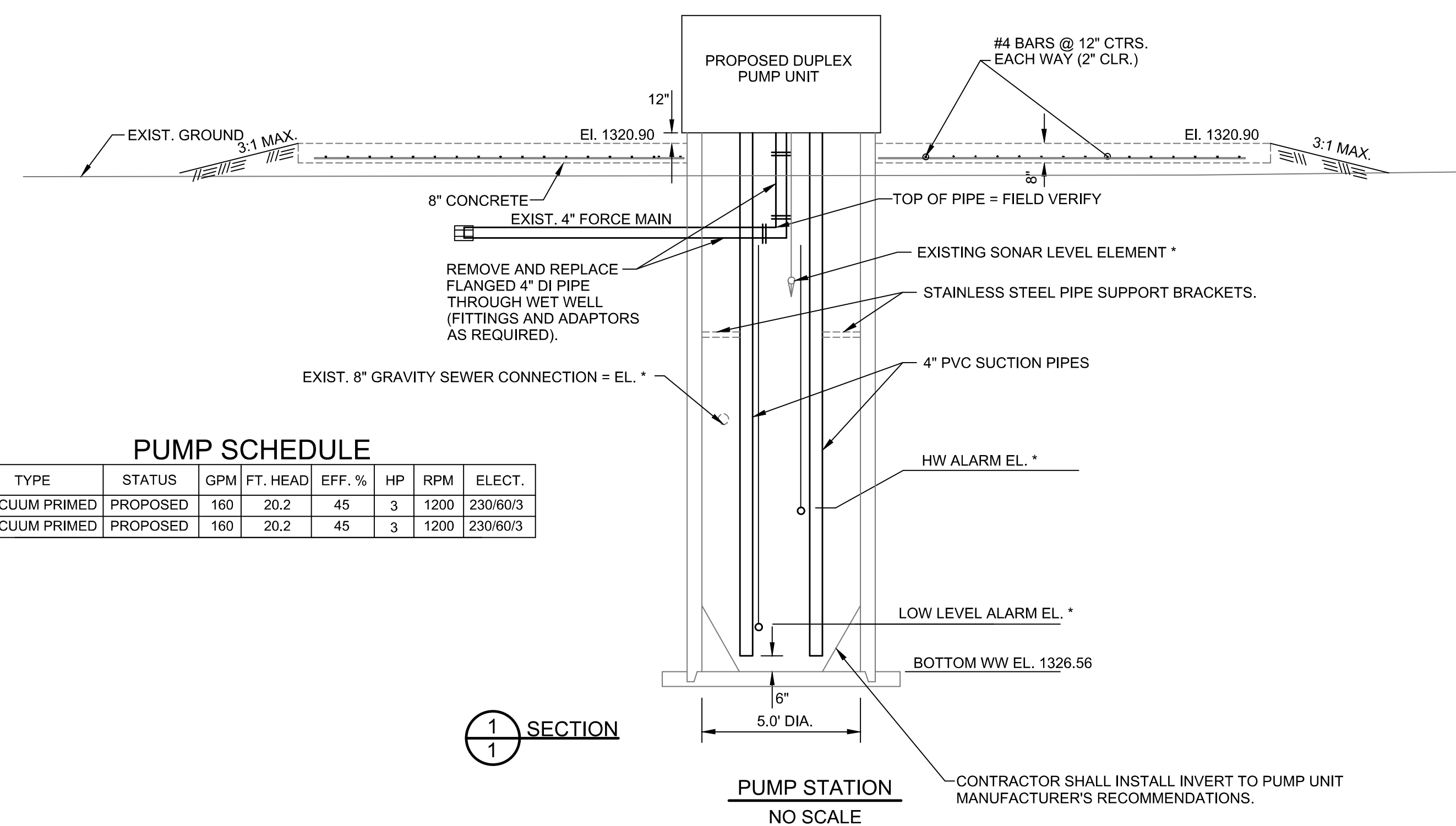
AT&T ATTN: SHANNON BRINKMEYER 154 N. BROADWAY, ROOM 210 WICHITA, KS 67202 PH (316) 268-2931	EVERGY ATTN: PEDRO MALDONADO 1900 E. CENTRAL (3RD FLOOR) WICHITA, KS 67201 PH (316) 261-6245	KANSAS GAS SERVICE ATTN: ADAM KNOLLA 1021 E. 26TH ST. NORTH WICHITA, KS 67219 PH (316) 832-3123
---	--	---

6. CONTRACTOR SHALL LOCATE FLOATS SO FUTURE FLOW INTO THE WET WELL WILL NOT INTERFERE WITH FLOAT OPERATION
7. THE INTERIOR SURFACE OF THE WET WELL BE COATED PER THE CITY OF WICHITA STANDARD SPECIFICATIONS FOR SPECIALIZED COATINGS.
8. THE CONTRACTOR SHALL VERIFY THE ACTUAL DIMENSIONS WITH THE SMITH AND LOVELESS PUMP STATION MODULE FURNISHED BY THE OWNER FOR THE PROJECT. NO ADDITIONAL COMPENSATION WILL BE MADE TO THE CONTRACTOR FOR ITEMS NECESSARY TO SATISFACTORILY INSTALL THE PUMP STATION AS PROVIDED BY THE OWNER.
9. THE CONTRACTOR SHALL INSTALL AND OPERATE THE PUMP STATION MODULE AND RELATED COMPONENTS IN ACCORDANCE WITH THE MANUFACTURE'S REQUIREMENTS AND RECOMMENDATIONS. THE OWNER AND ENGINEER WILL NOT BE RESPONSIBLE FOR ANY FAILURE OR DEFECTS EITHER DIRECTLY OR INDIRECTLY CAUSED BY IMPROPER INSTALLATION, OPERATION, OR LACK OF COORDINATION BY THE CONTRACTOR, IN THE COMPLETED PUMP STATION.



CONTRACTOR SHALL INSTALL A 4-INCH 316 SS VENT WITH SS INSECT SCREEN ON PROPOSED PUMP STATION SS BASE PLATE. THE VENT PIPE SHALL BE WELDED TO THE BASE PLATE AND LOCATED AND ORIENTATED SO THE VENT OPENING IS A MINIMUM 3 FEET AWAY FROM THE PUMP ENCLOSURE. SEE DETAIL, THIS SHEET

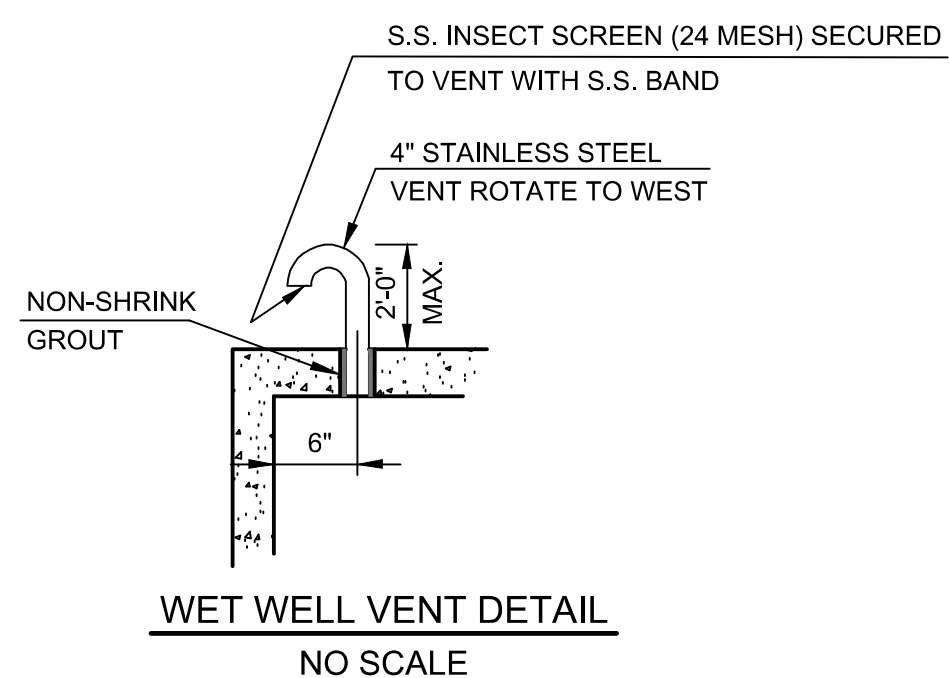
PLAN
NO SCALE



PUMP STATION
NO SCALE

PUMP SCHEDULE

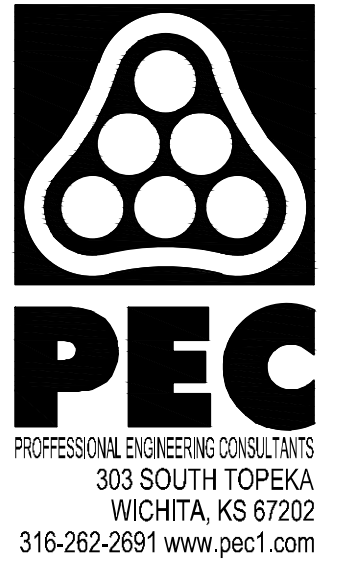
MARK	TYPE	STATUS	GPM	FT. HEAD	EFF. %	HP	RPM	ELECT.
P-1	VACUUM PRIMED	PROPOSED	160	20.2	45	3	1200	230/60/3
P-2	VACUUM PRIMED	PROPOSED	160	20.2	45	3	1200	230/60/3



WET WELL VENT DETAIL
NO SCALE

* CONTRACTOR SHALL FIELD VERIFY ELEVATIONS OF EXISTING FLOATS AND LEVEL ELEMENTS AND REINSTALL AT SAME ELEVATIONS.

SAVED 2/25/2022 9:13:12 AM BY KURTIS DEKAT
 PLOTTED 2/25/2022 1:38:41 PM BY KURTIS DEKAT
 U:\WICHITA-CIVIL\2021\1217043\08\MUNIDRAWINGS\217043-008-CU501-LIFT STATION DETAILS.DWG



SANITARY SEWER IMPROVEMENTS
LIFT STATION NO. 23
AT
W. 37TH STREET N AND PORTER AVE.
 GARY JANZEN, P.E. - CITY ENGINEER
 CITY OF WICHITA PROJECT NO. 468-2020-019218 S0015

Issue:		

JOB NO.	35-217043-008-0042
DATE	NOVEMBER 2021
PM	RWG
DESIGNED BY	RWG
DRAWN BY	KTD
CHECKED BY	TBK

LIFT STATION DETAILS

CU501