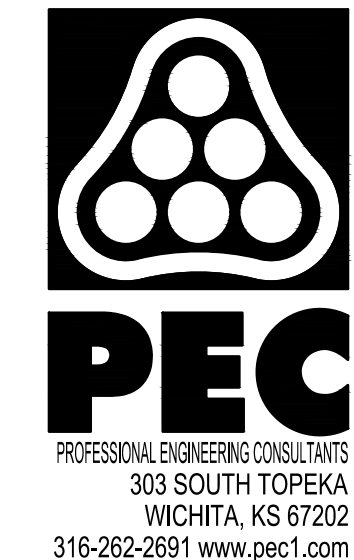
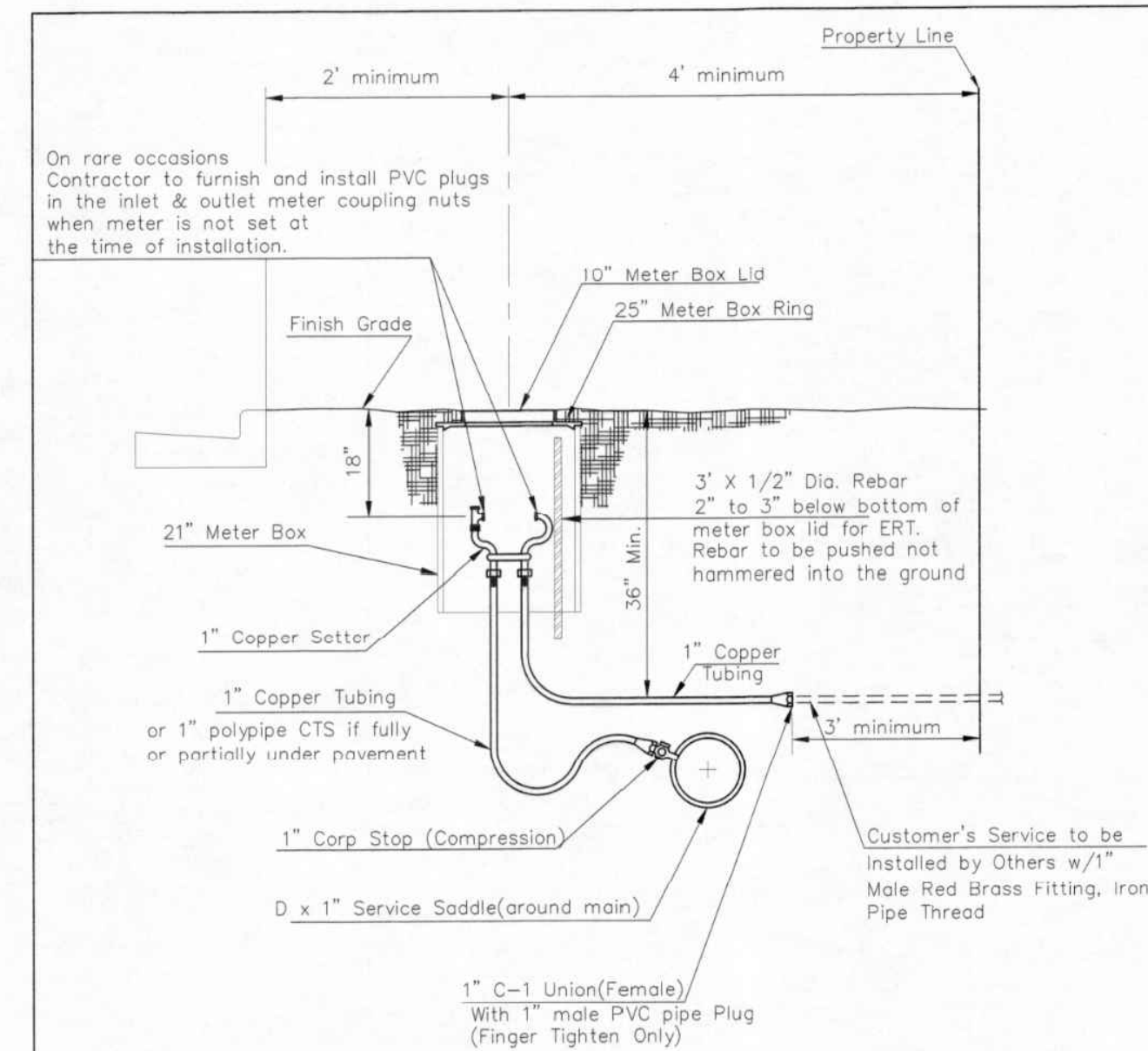


SAVED 9/27/2023 11:58:30 AM BY KURTIS.DEKAT  
 PLOTTED 5/31/2024 11:20:46 AM BY CATHY LINK  
 U:\WICHITA-CIVIL\2022\20496\000\PECDRAWINGS\31ST AND OLIVER\220496-000-CU502-STANDARD WATER SERVICE  
 DETAIL.DWG

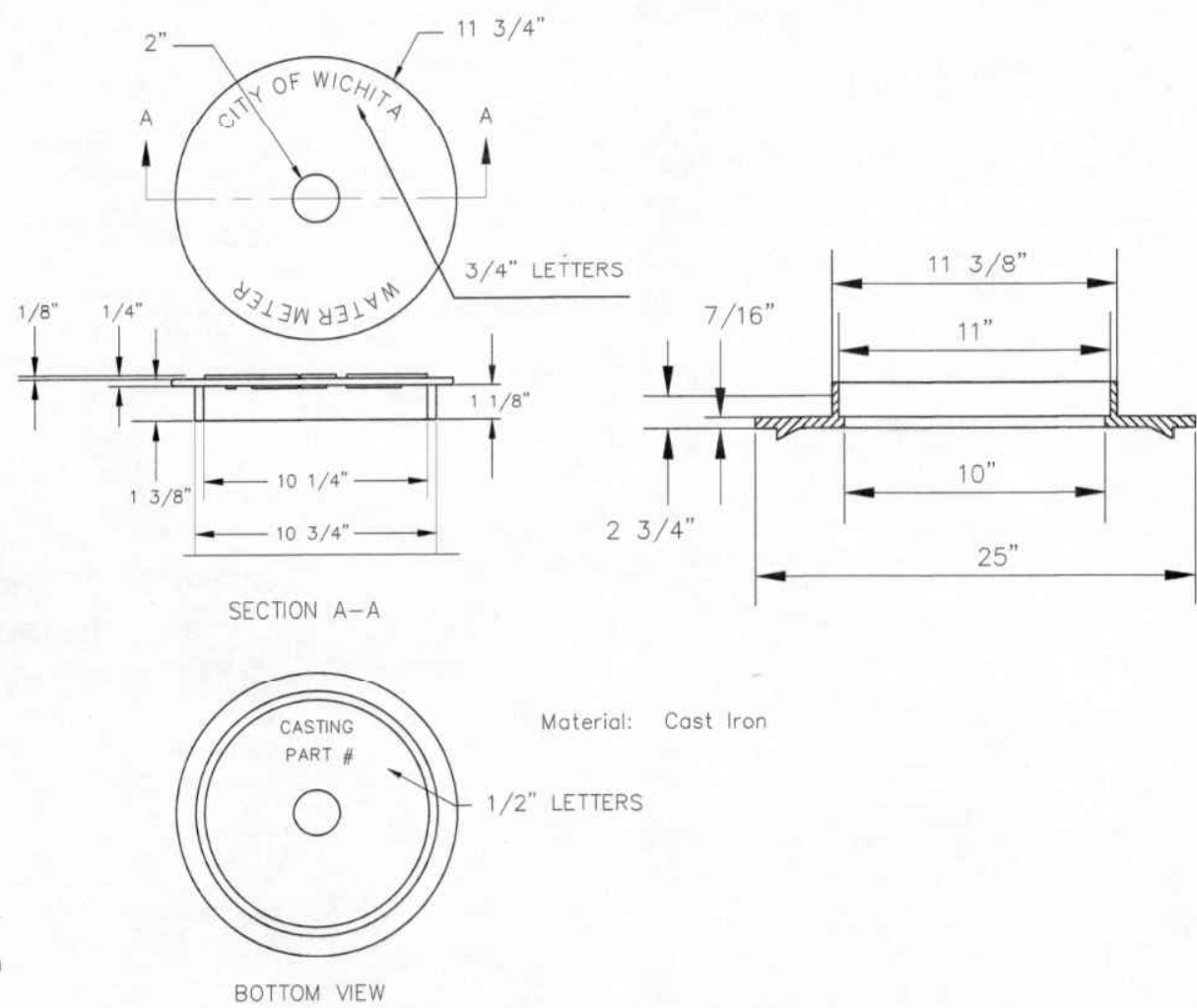


**WATERLINE IMPROVEMENTS**  
**CROSS CONNECTION AT**  
**31ST STREET S AND OLIVER STREET**  
 PAUL GUNZELMAN, P.E. - CITY ENGINEER  
 CITY OF WICHITA ENGINEERING PROJECT NO. 448-2023-038022



Minimum length of pigtail on consumer side is 36" of copper tubing from meter set.  
 Bore hole under paving shall be a maximum of 2" in diameter and a minimum of 3/8" below top of pavement.  
 Service Saddles are required on all mains.  
 Meter boxes will be located on each lot to be served, as indicated in the SPECIAL PROVISIONS

TYPICAL 1" METER SETTING

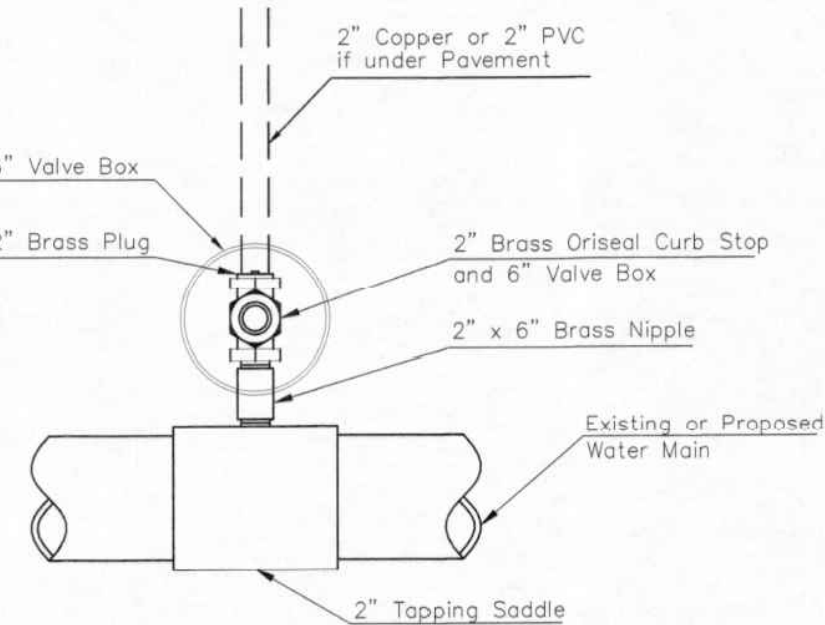


NOT TRAFFIC RATED RING & LID FOR 1" METER BOX

- 1 -  $\emptyset$  Mueller Thread Corporation Stop
- 1 -  $\emptyset$  Type "K" Copper Tubing
- 1 -  $\emptyset$  Copper to Iron Union (Male)
- 1 -  $\emptyset$  Brass Curb Stop (Iron to Iron)
- 2 -  $\emptyset$  x 4" Brass Nipple
- Air Release
- 2 -  $\emptyset$  Brass Elbows (90°)
- 1 - 1" x 6" Brass Nipple
- 1 - 30" Monitor Cover
- 1 - 20" Meter Lid

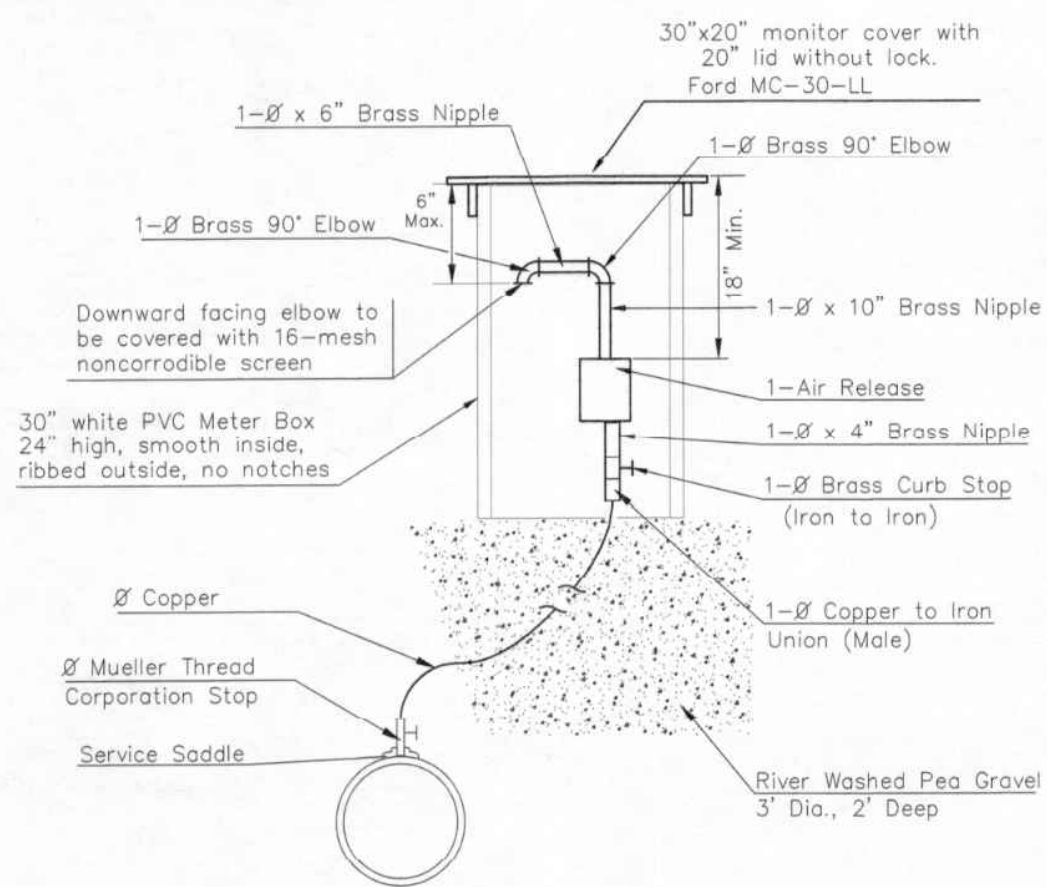
NOTE:

THE 1" x 2" AIR RELEASE ASSEMBLY WILL TYPICALLY BE USED ON WATER MAINS 24" AND SMALLER, AS SPECIFICALLY DESIGNATED IN THE PLANS. COMBINATION AIR RELEASE ASSEMBLIES WILL BE SPECIFICALLY DESIGNED FOR PROJECTS WITH LARGER MAINS, AND WILL BE INCLUDED IN THE PLANS.

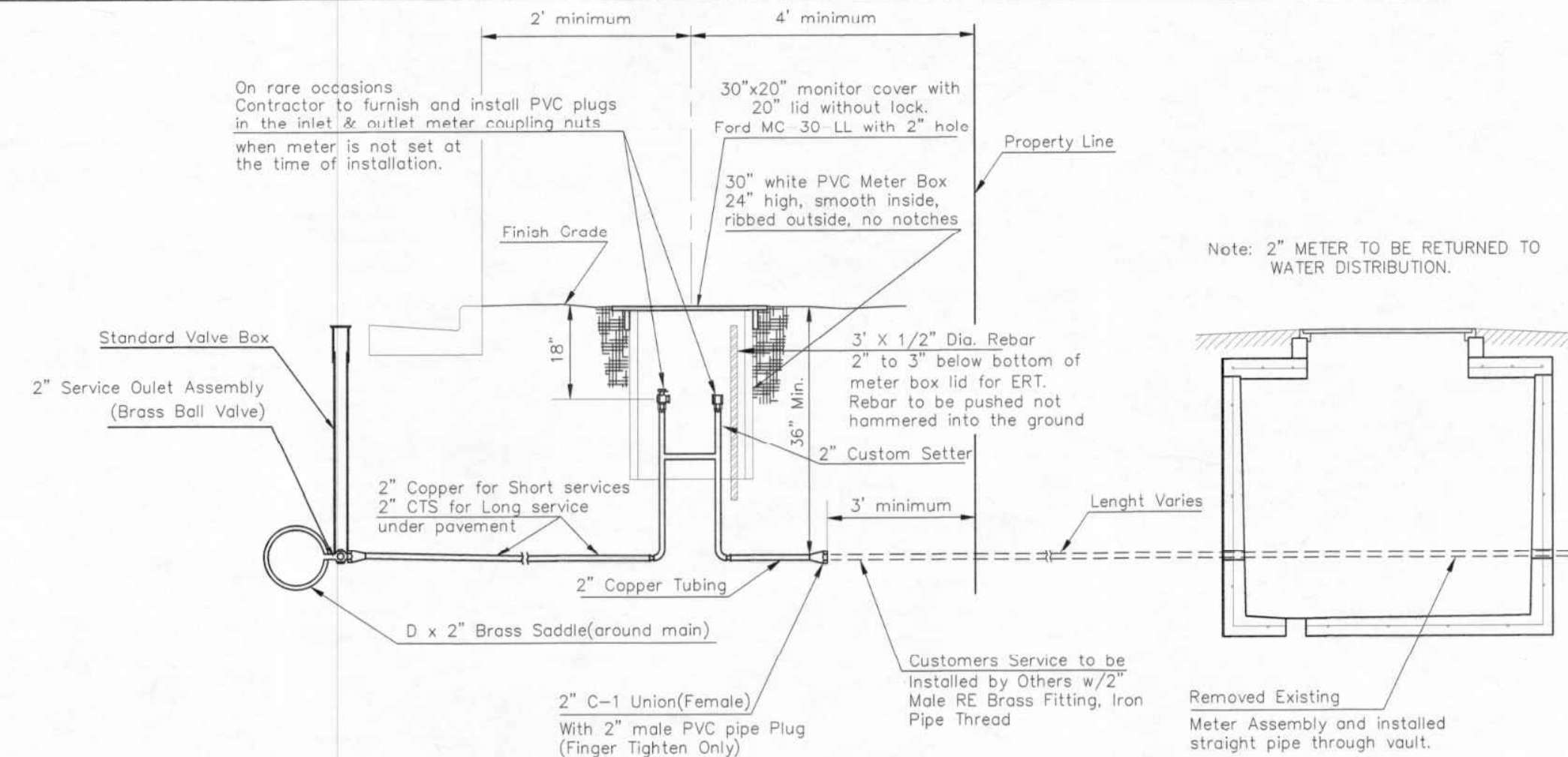


Note: Where the 2" Service Outlet Assembly is to be used to connect a 2" main to another main, the 2" valve shall be a 2" IPT Gate Valve. 2" ball or globe valves shall not be approved for this use.

2" SERVICE OUTLET ASSEMBLY TOP VIEW



MATERIALS FOR 1" or 2" AIR RELEASE ASSEMBLY  $\emptyset = 1" \text{ or } 2"$

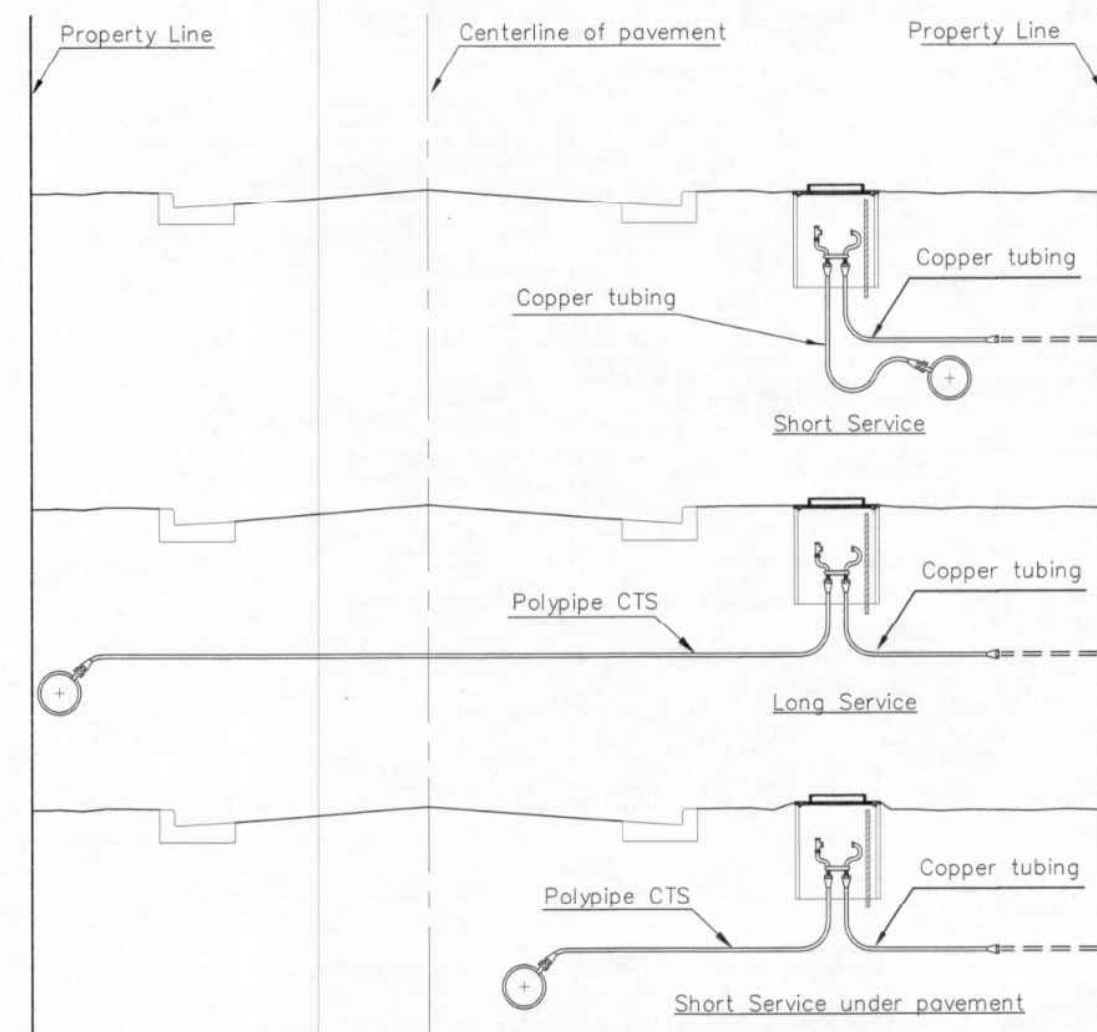


TYPICAL 2" METER SETTING

Note: ONE VALVE STEM EXTENSION FOR EACH VALVE BURIED GREATER THAN 5'.

TYPICAL 2" METER SETTING INVOLVING EXISTING 2" METER VAULT

Note: ONE VALVE STEM EXTENSION FOR EACH VALVE BURIED GREATER THAN 5'.



SERVICE TYPES



REVISED: NOVEMBER 2019 TM 3"x1/2" REBAR IN 1" & 2" METER SETTINGS FOR ERT.

**STANDARD WATER SERVICE DETAIL**  
 CITY ENGINEER  
**GARY JANZEN, P.E.**

|  |            |      |
|--|------------|------|
| PROJECT NUMBER   | OCA NUMBER | DATE |
| CITY ENGINEER'S OFFICE   | SHEET      |      |
| CITY HALL - SEVENTH FLOOR<br>455 NORTH MAIN STREET<br>WICHITA, KANSAS 67202-1620<br>(316) 268-4501 | - of -     |      |

WL-102

|             |               |
|-------------|---------------|
| Issue:      |               |
| JOB NO.     | 35-220496-000 |
| DATE        | MAY 2024      |
| PM          | TBK           |
| DESIGNED BY | GAS           |
| DRAWN BY    | TBK           |
| CHECKED BY  | TBK           |

STANDARD WATER ASSEMBLY DETAIL

CU502