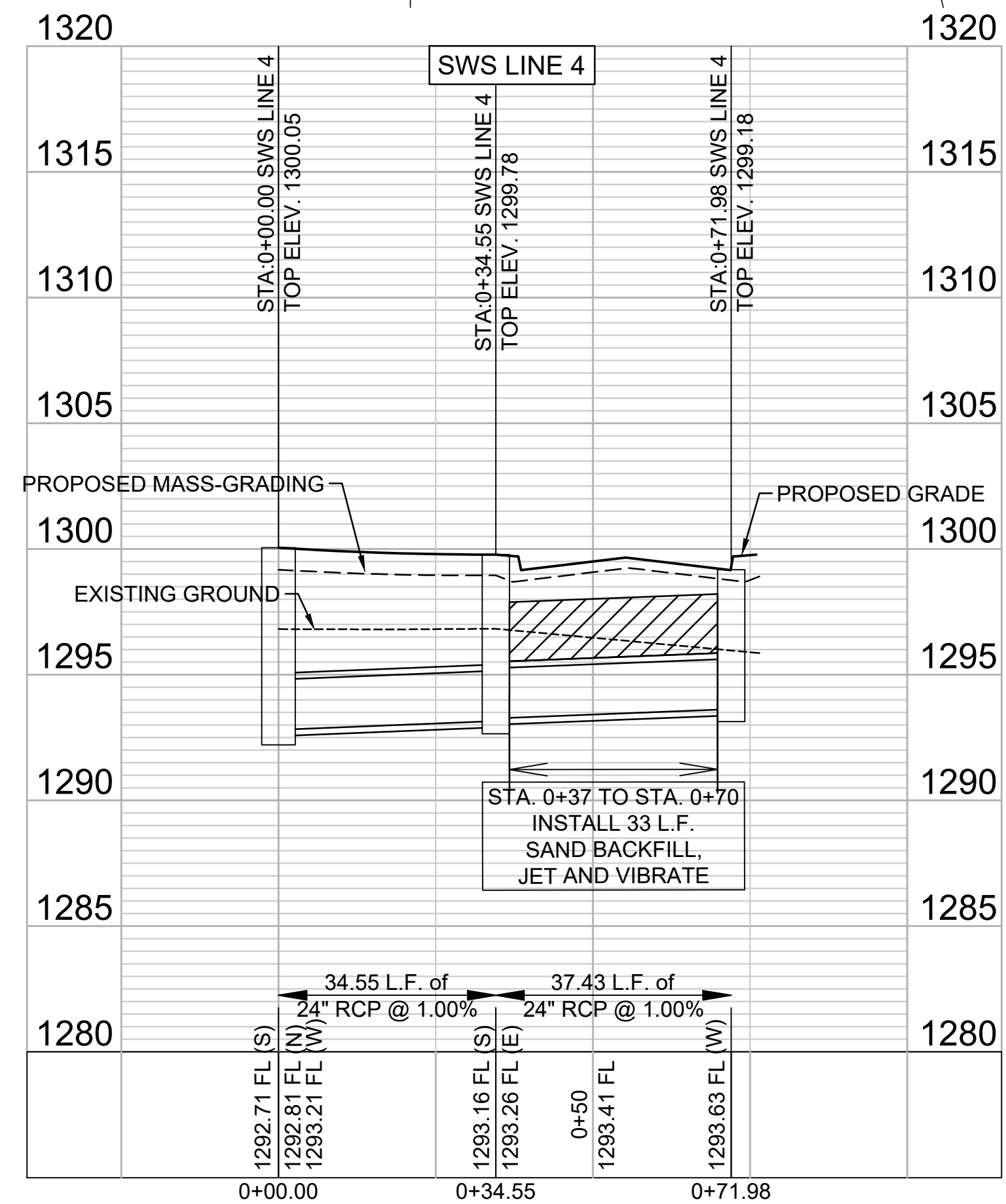
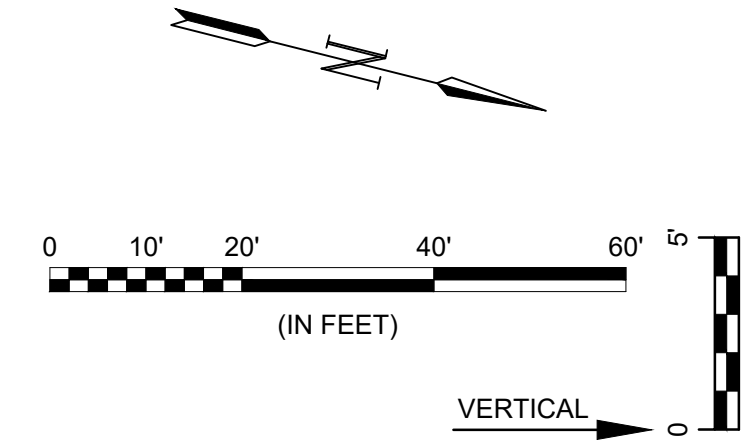
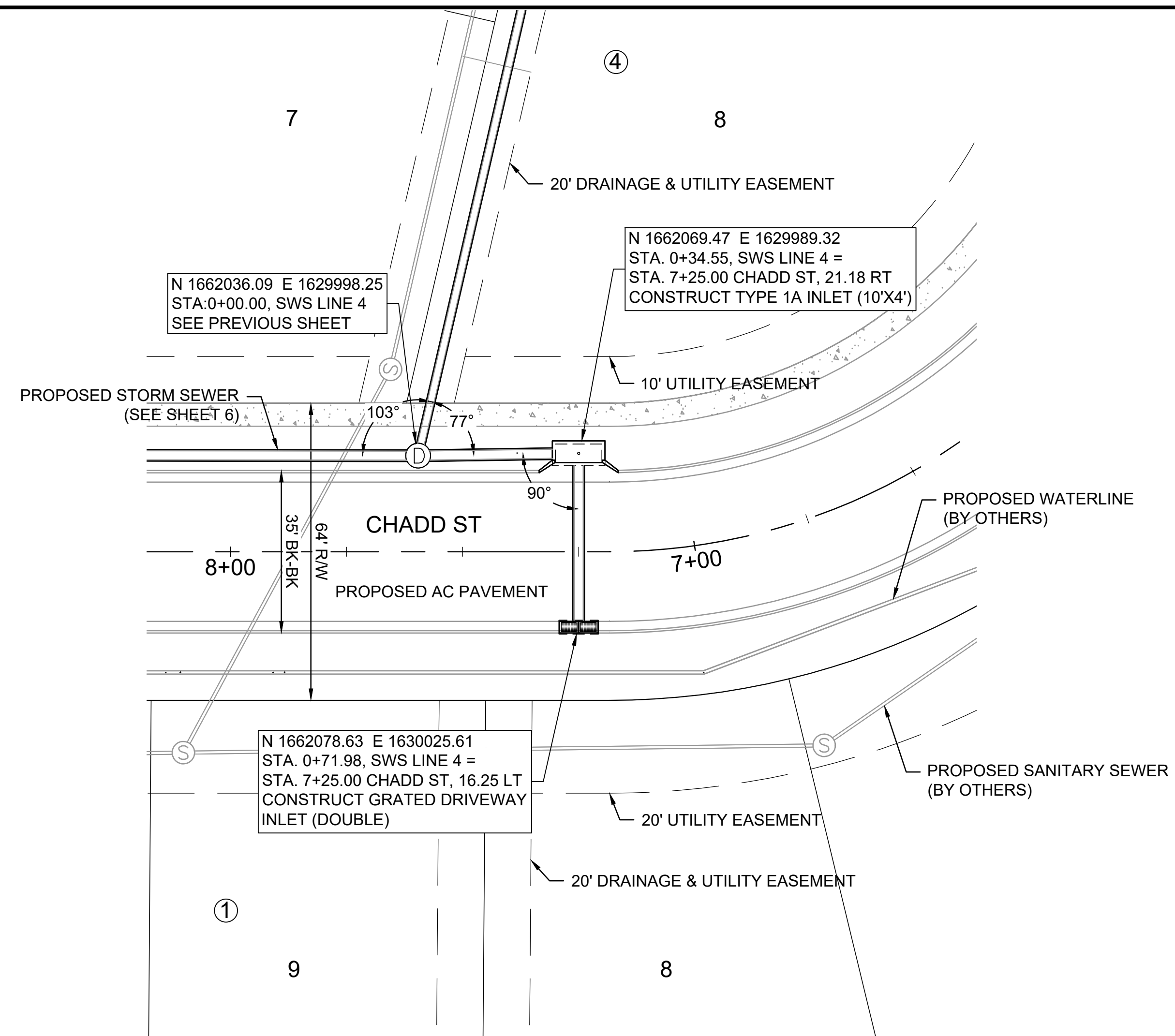


File: L:\2023\141-2300792_1 - Cottonwood Creek Phase 1\Drawings\SWD SHEETS\WEST CULVERT PIPE & SWS LINE 4.dwg Last Save: 8/7/2024 10:28 AM Last saved by: MCARRERAPIEDRA
 Last plotted by: Carrera-Piedra, Maritela Plot Date: 8/7/2024 12:10 PM Plotter used: None



GARVER
 © 2024 GARVER, LLC
 THIS DOCUMENT, ALONG WITH THE IDEAS AND DESIGNS CONVEYED HEREIN, SHALL BE CONSIDERED INSTRUMENTS OF PROFESSIONAL SERVICE AND ARE PROPERTY OF GARVER, LLC. ANY USE, REPRODUCTION, OR DISTRIBUTION OF THIS DOCUMENT, ALONG WITH THE IDEAS AND DESIGN CONTAINED HEREIN, IS PROHIBITED UNLESS AUTHORIZED IN WRITING BY GARVER, LLC OR EXPLICITLY ALLOWED IN THE GOVERNING PROFESSIONAL SERVICES AGREEMENT FOR THIS WORK.

1995 Midfield Road
 Wichita, KS 67209
 (316) 264-8008



REV.	DATE	DESCRIPTION	BY

CITY OF WICHITA
 WICHITA, KANSAS
COTTONWOOD CREEK ESTATES
 STORM WATER DRAIN

SWS LINE 4

JOB NO.: 2300792
 DATE: AUG 2024
 DESIGNED BY: .
 DRAWN BY: .

BAR IS ONE INCH ON ORIGINAL DRAWING
 IF NOT ONE INCH ON THIS SHEET, ADJUST SCALES ACCORDINGLY.

DRAWING NUMBER

SHEET NUMBER **8** OF **33**