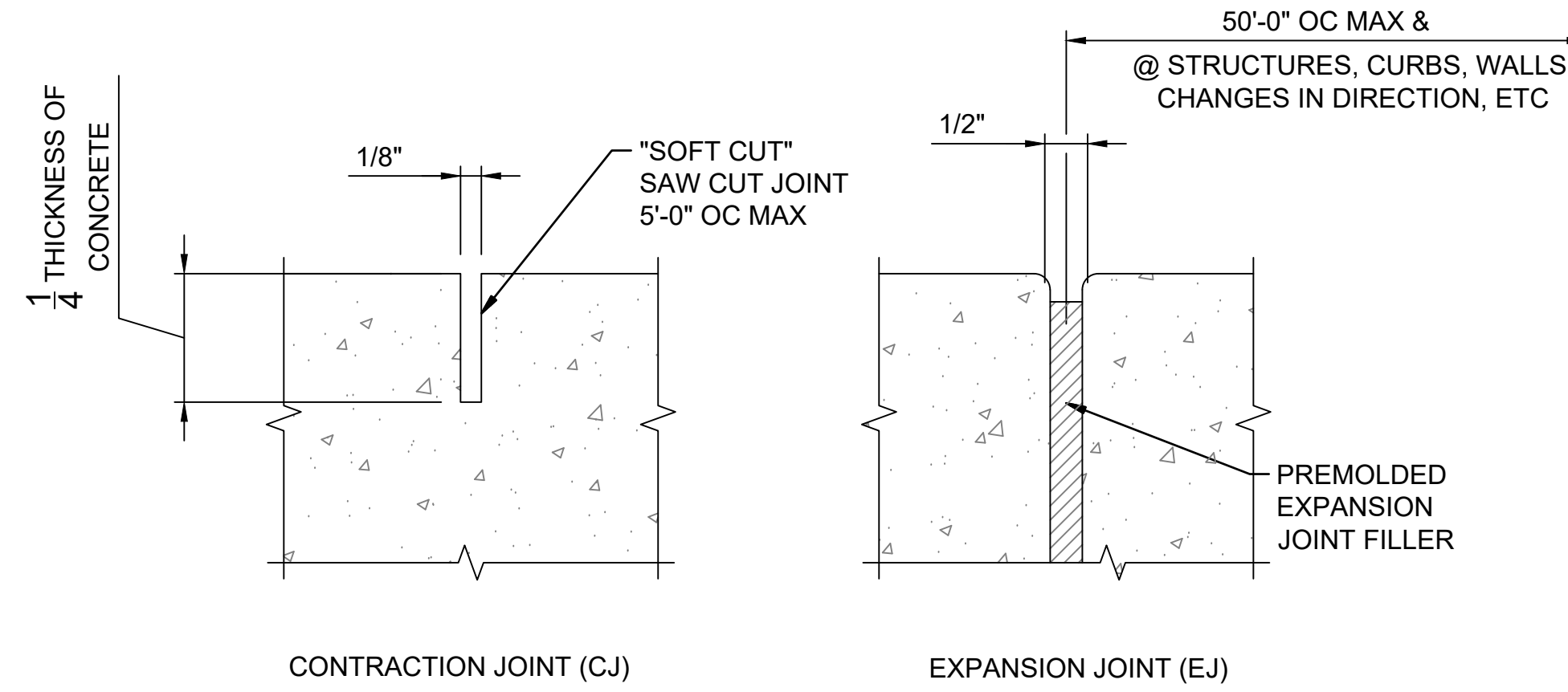
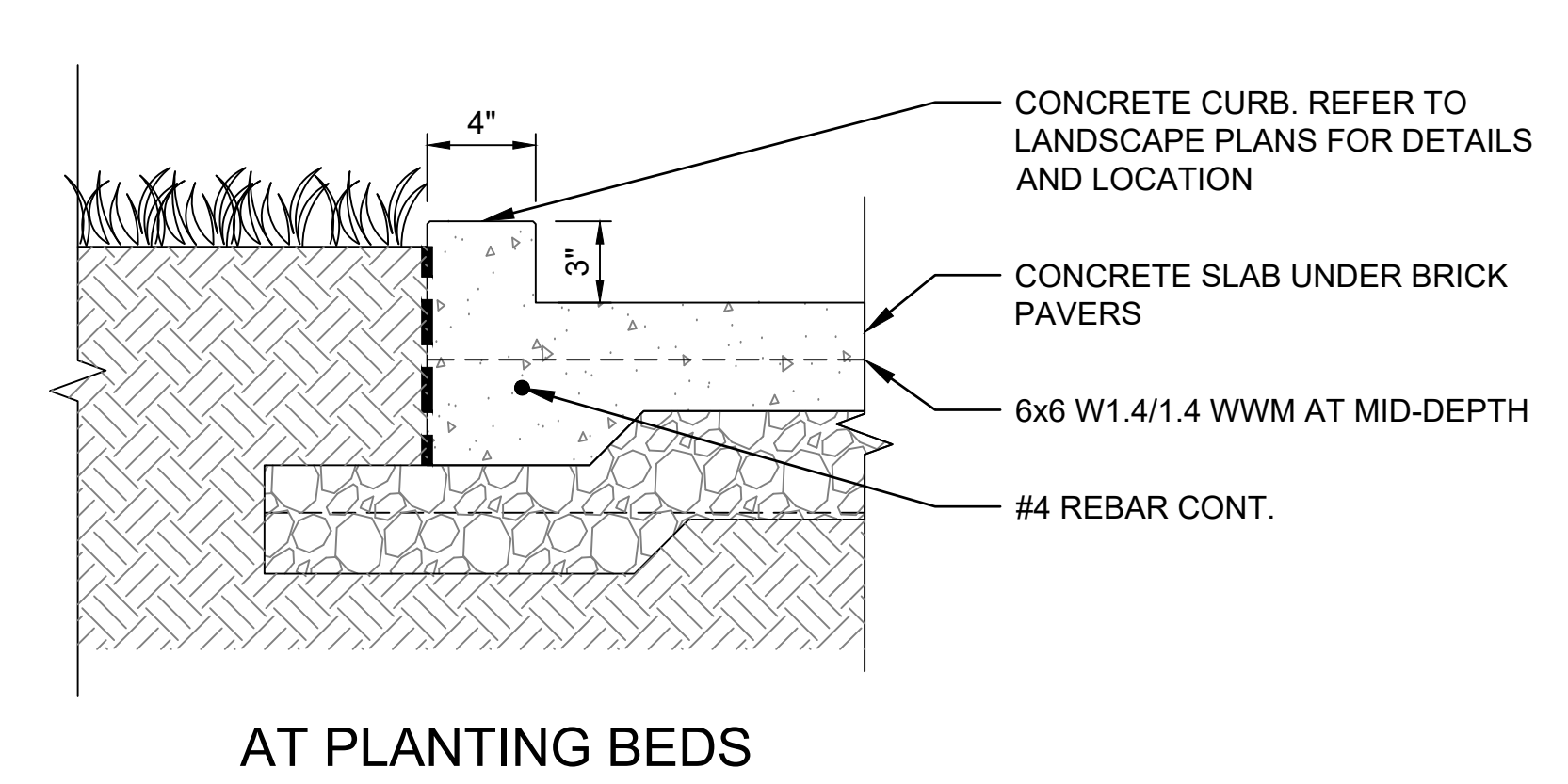


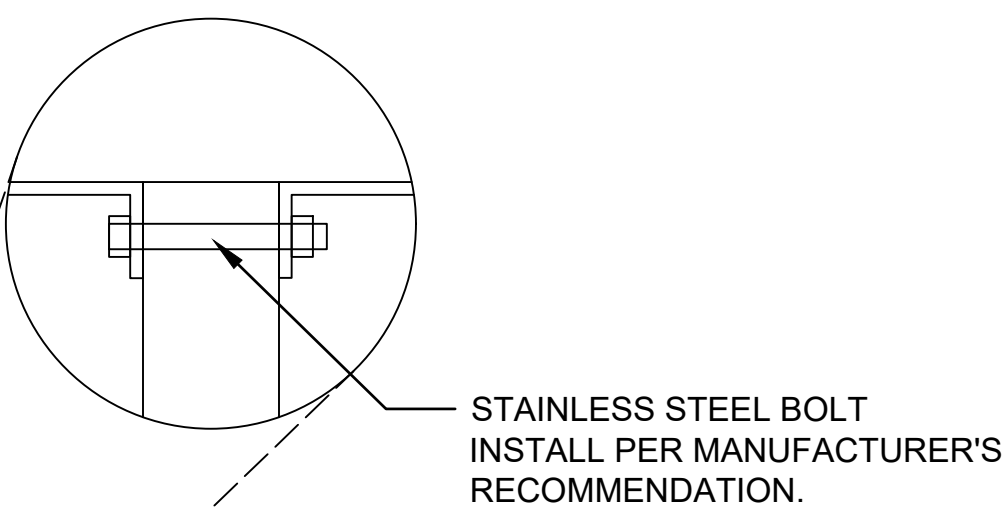
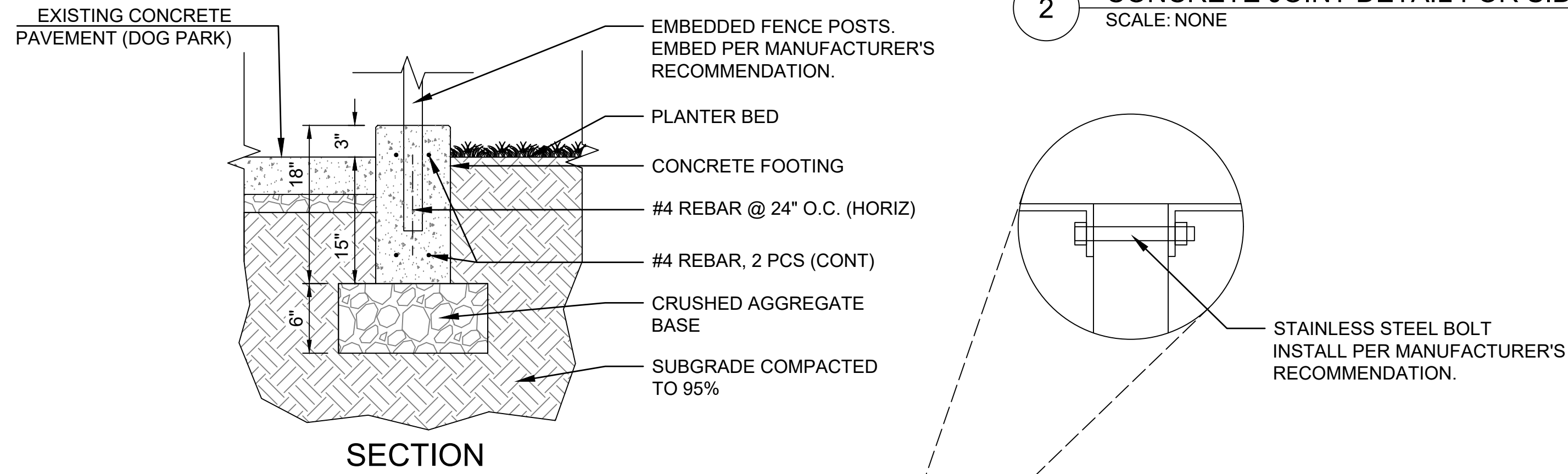
1 4" CONCRETE PAVING FOR PEDESTRIAN USE
SCALE: NONE



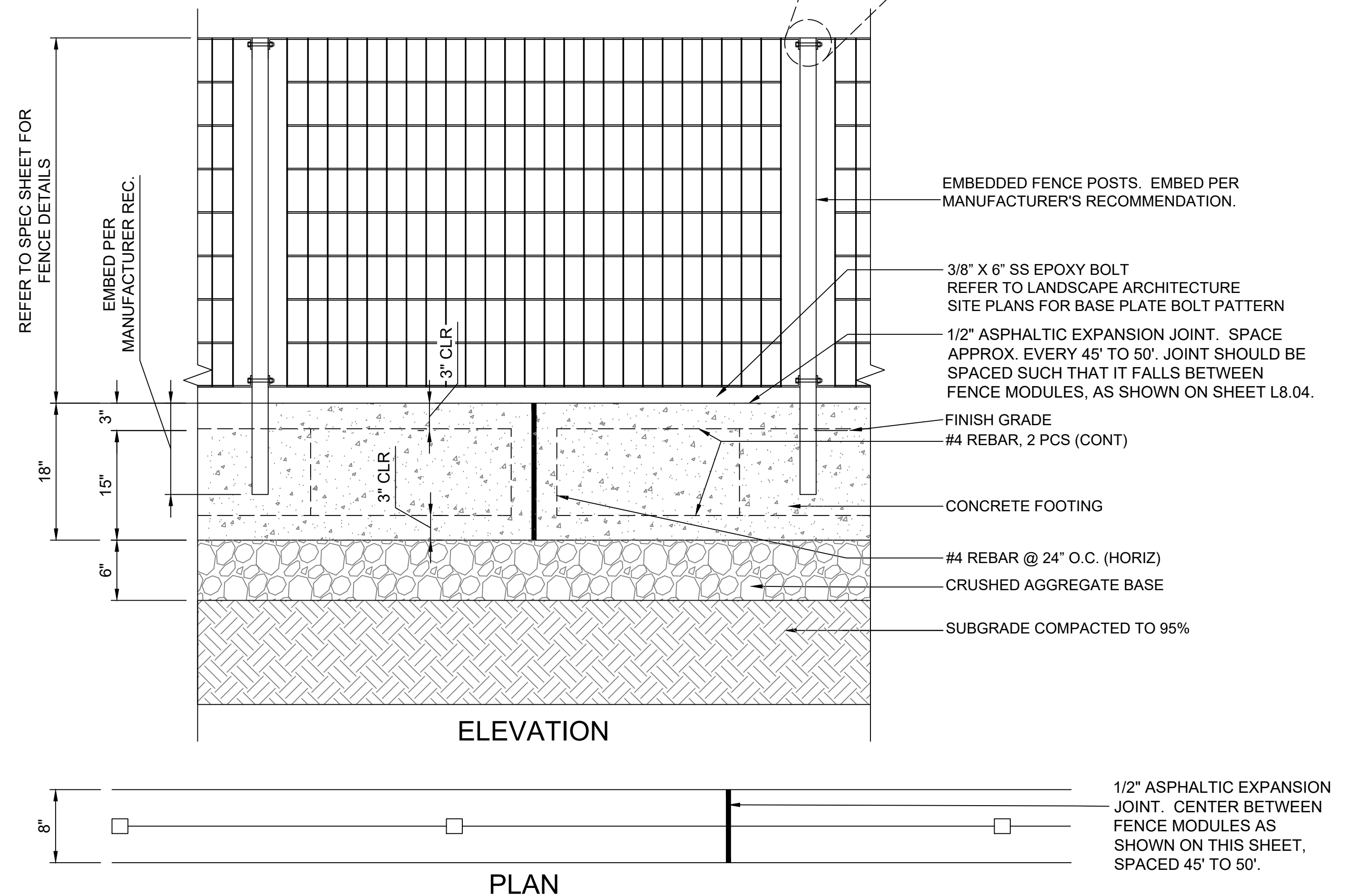
2 CONCRETE JOINT DETAIL FOR SIDEWALKS
SCALE: NONE



3 CAST-IN-PLACE CONCRETE CURB REINFORCEMENT
SCALE: NONE



2 CONCRETE JOINT DETAIL FOR SIDEWALKS
SCALE: NONE



4 ORSOGRILL STEROPE FENCE FOOTING
SCALE: NONE

ORSOGRILL Fencing:
Sterope® Grating Panels

Sterope® is the flagship among the Nuova Defini Orsogrill branded fencing products, matching elegance and aesthetics with strength and transparency. These characteristics are ensured by the rectangular mesh that makes it a versatile product. Sterope® fencing panels can be combined with two different types of posts, a classic flat bar, or a squeezed round tube post exclusive to the Orsogrill brand.

TECHNICAL DETAILS

Dimensions

- Mesh 2 7/16" x 5 13/64"
- Vertical flat bars 5 3/64" x 5/64"
- Horizontal rounded bars 1 1/64"

Material

- S235JR UNI EN 10025 Steel

Fixing System

- TDE M25/64" x 3/16" stainless steel bolt
- TTQST M25/64" x 3/16" stainless steel security bolt

Coating

- Hot-dip galvanizing according to UNI EN ISO 1461
- Painting with polyester resins

Colors

- RAL 6005 green, other RAL
- Colors available on demand

PRODUCT SPECIFICATIONS

Sterope® electro-welded mesh fencing consists of modular monolithic panels, not joined nor welded side by side, with a height of ... inch, width 6'-0" 27/64", mesh size 2 7/16" x 5 13/64" with 63/64" x 5/64" vertical flat bars (centers distance 2 7/16") and 1 1/64" diameter horizontal round bars (centers distance 5 13/64"). The 63/64" x 5/32" flat bar horizontal frame elements are bent at the ends for a length of 1 37/64" and are slot drilled 15/32" x 5/8". The horizontal frame elements are electro-welded to the vertical flat bars by fusion without additional material. Post centers distance: 6'-0" 47/64".

PANEL			POST		Post to be set in concrete		Post with base plate	
H	L	Weight	Section	Rising points	L	Weight	L	Weight
inch	inch	kg/m	inch	mm	inch	kg/m	inch	kg/m
3'-0" 39/64"	6'-0" 229/64"	16.27	2 23/64" x 5/32"	2	3'-11"	4.4	3'-3" 51/64"	4.2
			Ø 1 31/32"	2	41/64"	3.1	3'-6" 41/64"	3.3
3'-11"	6'-0" 229/64"	19.96	2 23/64" x 5/32"	2	4'-10"	5.4	4'-2" 13/64"	5.2
			Ø 1 31/32"	2	13/16"	3.9	4'-3" 1/32"	4.0
4'-4" 13/64"	6'-0" 229/64"	21.82	2 23/64" x 5/32"	2	5'-3" 31/32"	4.2	4'-10" 15/64"	5.7
			Ø 1 31/32"	2				4.4
4'-9" 13/32"	6'-0" 229/64"	23.64	2 23/64" x 5/32"	2	5'-9" 7/32"	5.4	5'-19" 3/32"	6.1
			Ø 1 31/32"	2		4.8	5'-3" 27/64"	4.7
5'-7" 51/64"	6'-0" 229/64"	27.34	2 23/64" x 5/32"	2	6'-7" 21/64"	7.3	5'-10" 63/64"	7.1
			Ø 1 31/32"	2		5.2	6'-1" 13/16"	5.4
6'-0" 3/16"	6'-0" 229/64"	31.02	2 23/64" x 5/32"	3	7'-7" 31/32"	8.5	6'-9" 9/8"	8.0
6'-11" 25/64"	6'-0" 229/64"	32.87	3 5/32" x 5/16"	3	8'-1" 1/4"	13.7	7'-2" 37/64"	12.9
8'-2" 31/32"	6'-0" 229/64"	38.41	3 5/32" x 5/16"	3	9'-6" 49/64"	16.1	8'-6" 11/64"	15.1

Posts

- 2 23/64" x 5/32" - 3 5/32" x 5/16" flat bar posts with base plate or without for concrete anchoring
- Ø 1 31/32" round tube post with base plate or for concrete anchoring

Gates

- Single, double or sliding leaf gates

APPLICATIONS

- Industrial areas
- Residential areas
- Commercial areas
- Parking garages
- School buildings

ACCESSORIES

- Stapled round post Ø 1 31/32"
- Flat bar post 2 23/64" x 5/32"
- Water resistance fitting (backless only for heights 6'-0" 31/32", 6'-11" 25/64" and 8'-2" 31/32")
- Adjusting bracket (padding)

Baseplate size 5 1/8" x 2 23/64" x 5/32" with two Ø 15/32" holes for heights up to 4'-6" 3/16" and 4 holes for heights 5'-11" 25/64" and 8'-2" 31/32"

Marco Specialty Steel, Inc.
9140 Tavenor Lane
Houston, Texas 77075

Phone: 713-649-5310
800-200-3047
Fax: 713-649-5305
www.marcospecialtysteel.com

5 ORSOGRILL STEROPE SPEC SHEET
SCALE: NONE

File: L:\2023\F02-2301675 - Wichita Downtown Park Restrooms\Drawings\CAD_BIM_Sheets\Nattzger Park Restrooms\DETAILS.dwg Last Save: 4/10/2024 4:25 PM Last saved by: BDTThomas
 Last plotted by: Wyant, Charles J. (CJ) Plot Date: 5/20/2024 2:42 PM Plotter used: AutoCAD PDF (General Documentation) pcc3

© 2023 GARVER, LLC
THIS DOCUMENT, ALONG WITH THE IDEAS AND DESIGNS CONVEYED HEREIN, SHALL BE CONSIDERED INSTRUMENTS OF PROFESSIONAL SERVICE AND ARE PROPERTY OF GARVER, LLC. ANY USE, REPRODUCTION, OR DISTRIBUTION OF THIS DOCUMENT, ALONG WITH THE IDEAS AND DESIGN CONTAINED HEREIN, IS PROHIBITED UNLESS AUTHORIZED IN WRITING BY GARVER, LLC OR EXPLICITLY ALLOWED IN THE GOVERNING PROFESSIONAL SERVICES AGREEMENT FOR THIS WORK.

1995 Midfield Road
Wichita, KS 67209
(316) 264-8008

Brent D. Thomas
LICENSED
669
KANSAS
LANDSCAPE ARCHITECT
Digitally Signed 05/20/2024

REV.	DATE	DESCRIPTION

CITY OF WICHITA
WICHITA, KS 67202

2024 PARK FACILITY
ENHANCEMENTS-
NATTZGER PARK
RESTROOMS PROJECT

LANDSCAPE
DETAILS 02

JOB NO.: F02-2301675
DATE: MAR. 2024
DESIGNED BY: BDT
DRAWN BY: BIG

BAR IS ONE INCH ON ORIGINAL DRAWING
IF NOT ONE INCH ON THIS SHEET, ADJUST SCALES ACCORDINGLY.

DRAWING NUMBER
L502

SHEET NUMBER
16