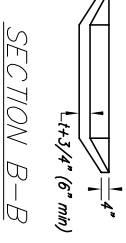
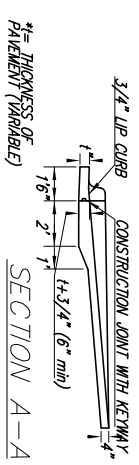
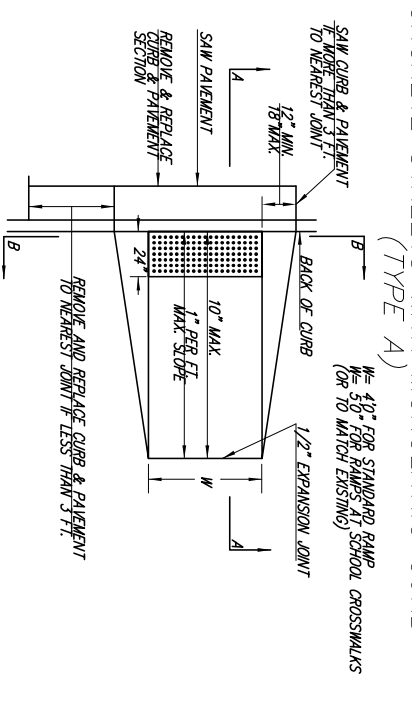
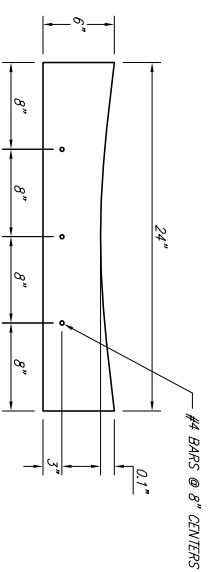
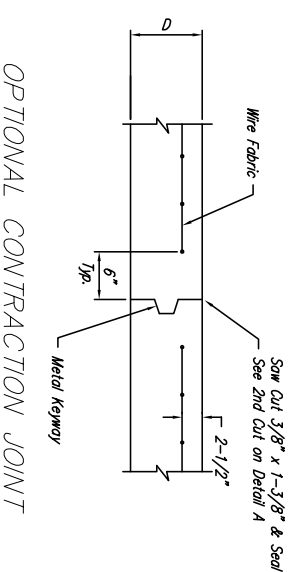
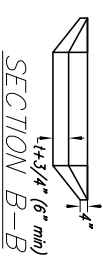
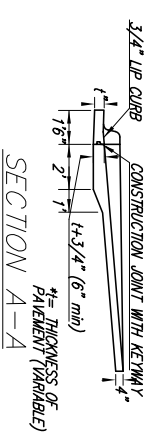
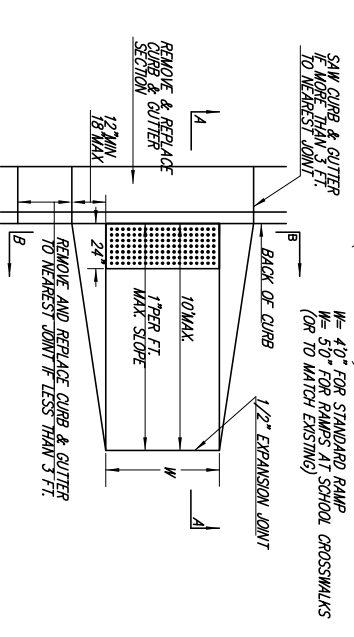


STANDARD WHEELCHAIR RAMP CONSTRUCTION DETAIL FOR CONCRETE STREETS WITH MONOLITHIC CURB (TYPE A)



STANDARD WHEELCHAIR RAMP CONSTRUCTION DETAIL FOR STREETS WITH COMBINED CURB & GUTTER (TYPE A)

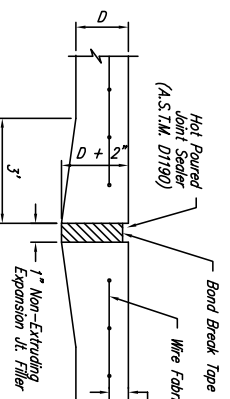


OPTIONAL CONTRACTION JOINT

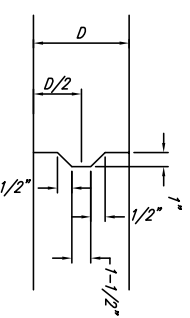
CONCRETE FLUME DETAIL

EXPANSION JOINT

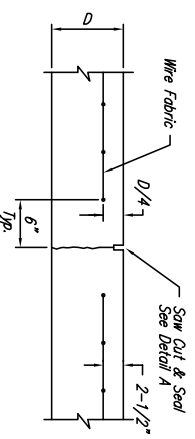
NOTE: Extra Thickness to be Subsidiary to Price of Square Yards Pavement



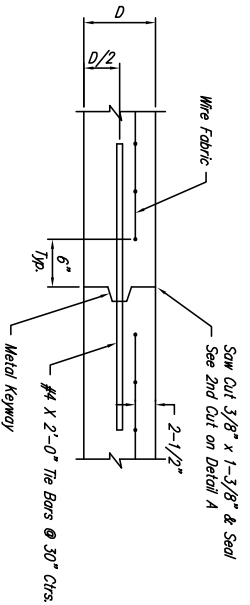
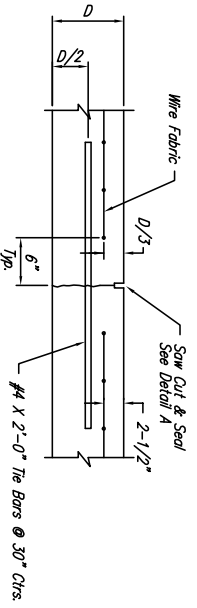
KEYWAY DETAIL



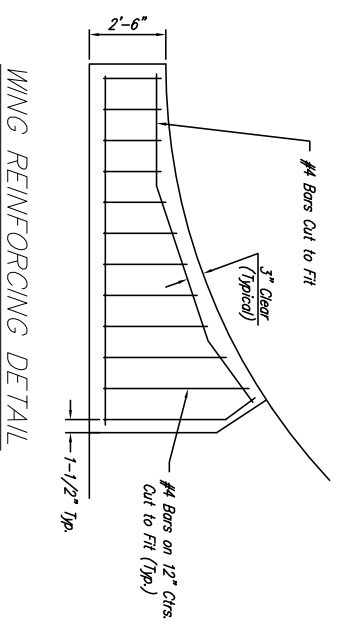
CONTRACTION JOINT DETAIL (C.J.)



LONGITUDINAL JOINT DETAIL (L.J.)

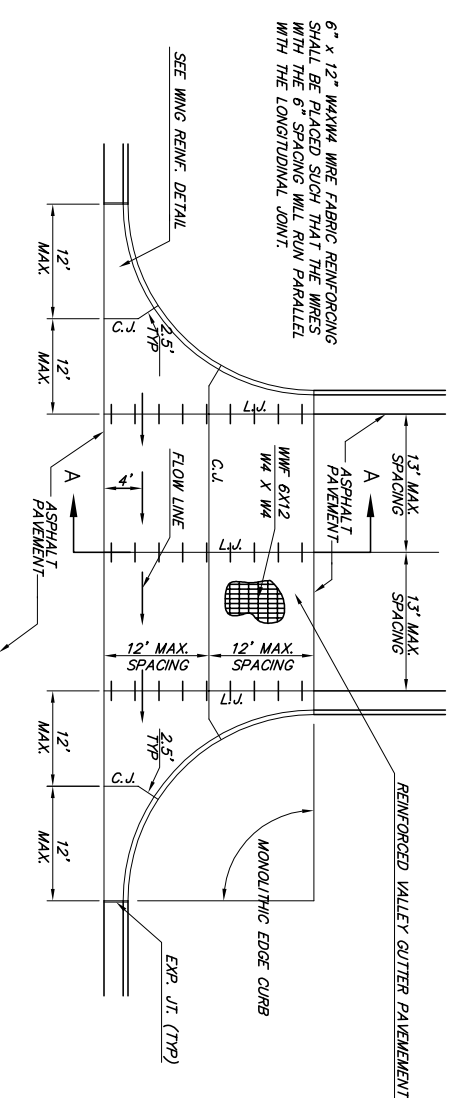
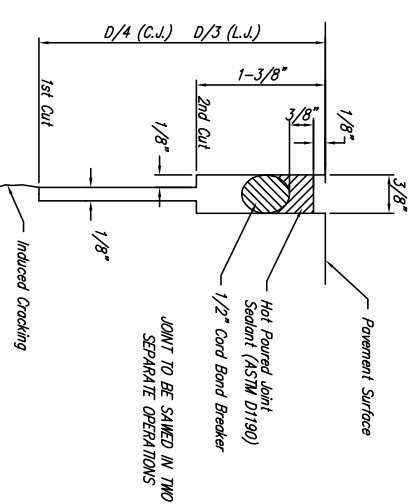


OPTIONAL LONGITUDINAL JOINT DETAIL (L.J.)

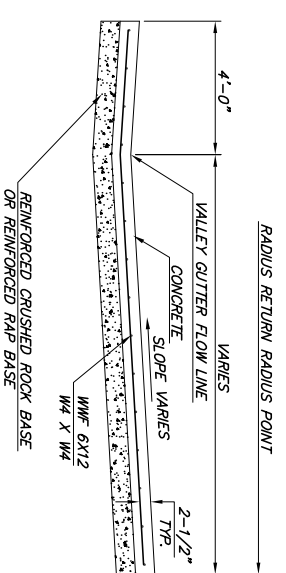


WING REINFORCING DETAIL

SAW JOINT DETAIL



PLAN



SECTION A-A

REINFORCED VALLEY GUTTER DETAIL

THE CITY OF WICHITA

VALLEY GUTTER DETAILS

WHEELCHAIR RAMP DETAILS

PROJECT NUMBER: 4.7.2-84.535
 DATE: MAR 96
 SHEET: 4 OF 19

CITY ENGINEER'S OFFICE
 CITY HALL - SEVENTH FLOOR
 WICHITA, KANSAS 67202
 (316) 946-1140
 (316) 946-1141 FAX

CCA # 766138