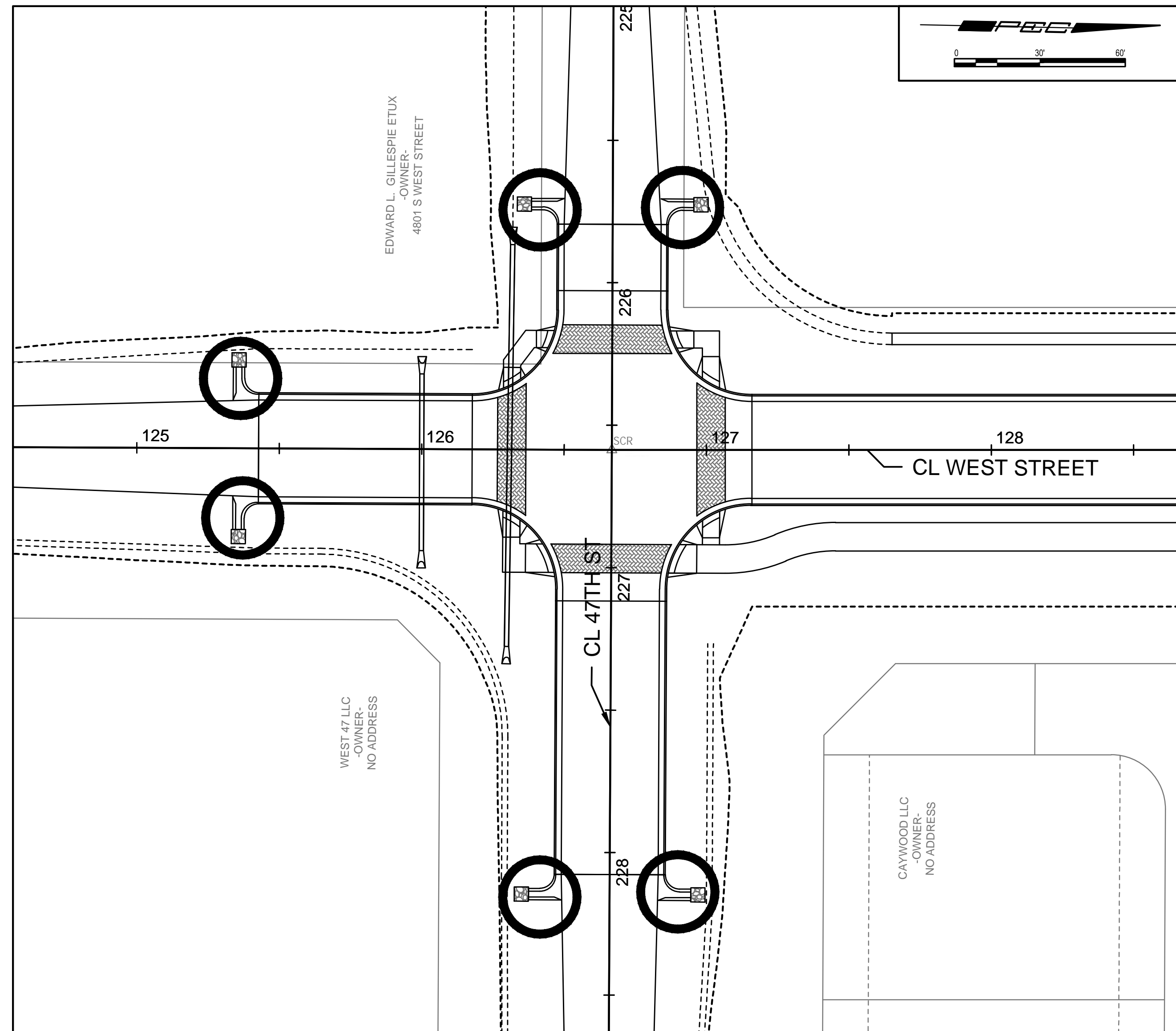
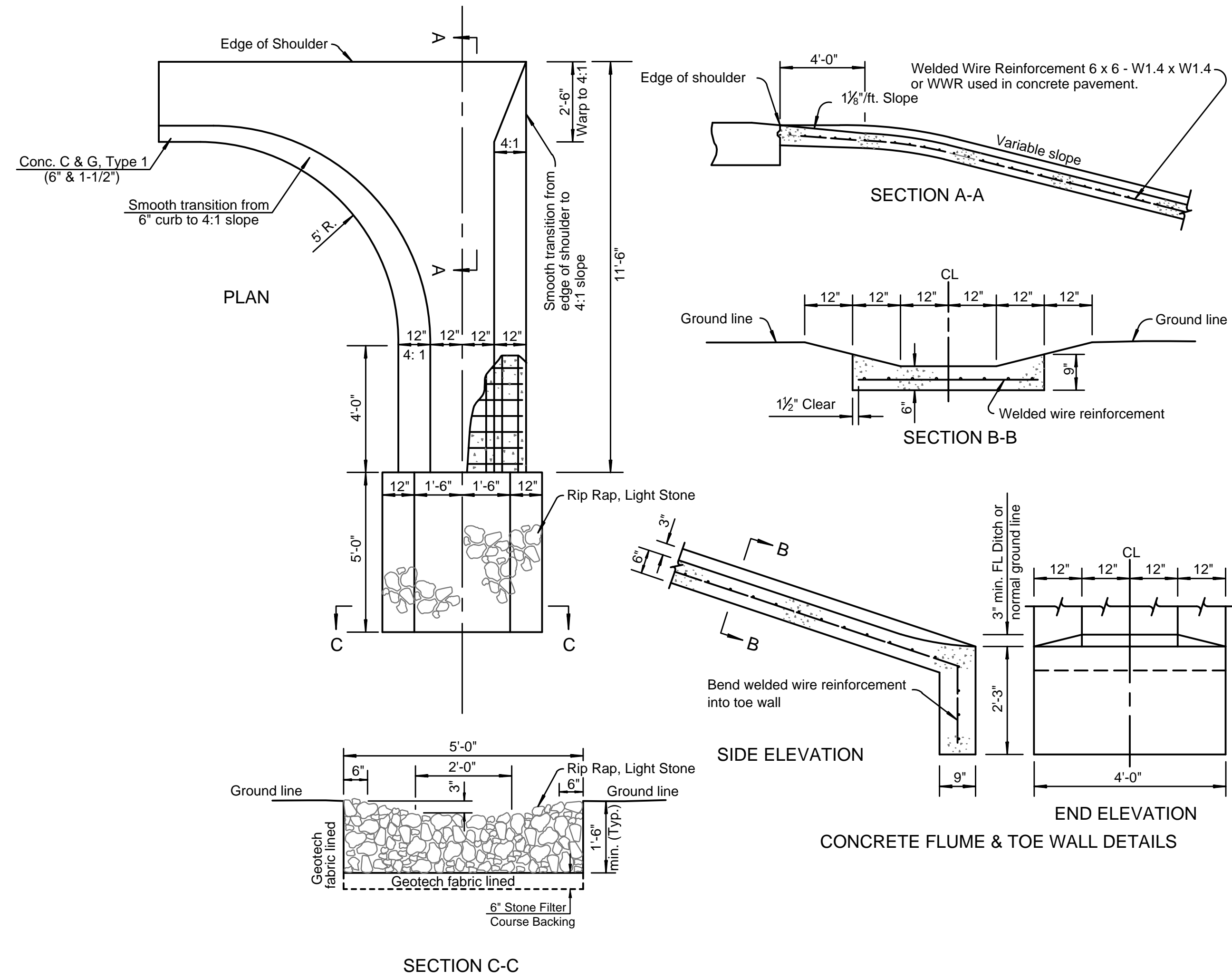


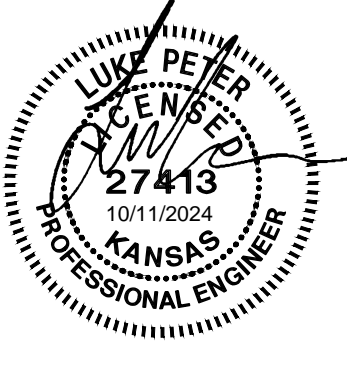
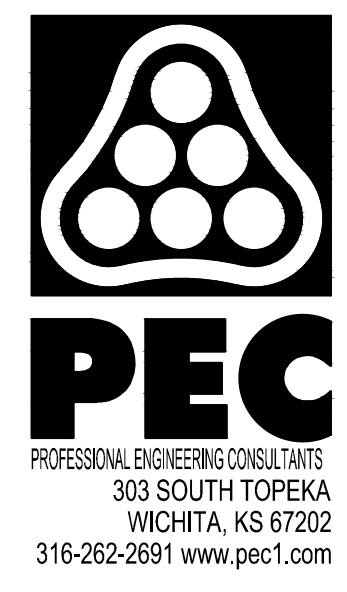
SAVED 9/30/2024 11:06:17 AM BY LUKE.PETER  
 PLOTTED 10/10/2024 1:38:00 PM BY LUKE.PETER  
 U:\WICHITA-CIVIL\2024\1210254\001\PEC\DRAWINGS\210254-001\_FLUMES.DWG



LOCATION MAP



CONCRETE FLUME DETAIL



WEST STREET IMPROVEMENTS  
 FROM MACARTHUR ROAD TO  
 47TH ST. SOUTH  
 CITY OF WICHITA

Issue:	

JOB NO.	210254-001
DATE	OCTOBER 2024
PM	TPA
DESIGNED BY	LGP
DRAWN BY	CP
CHECKED BY	KMS

CONCRETE FLUME DETAILS