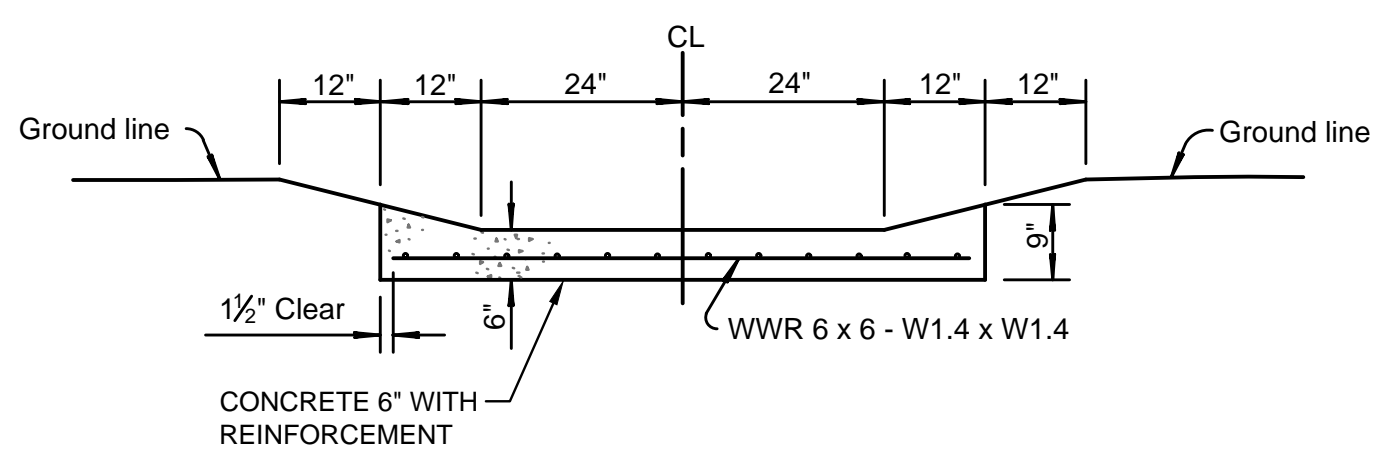


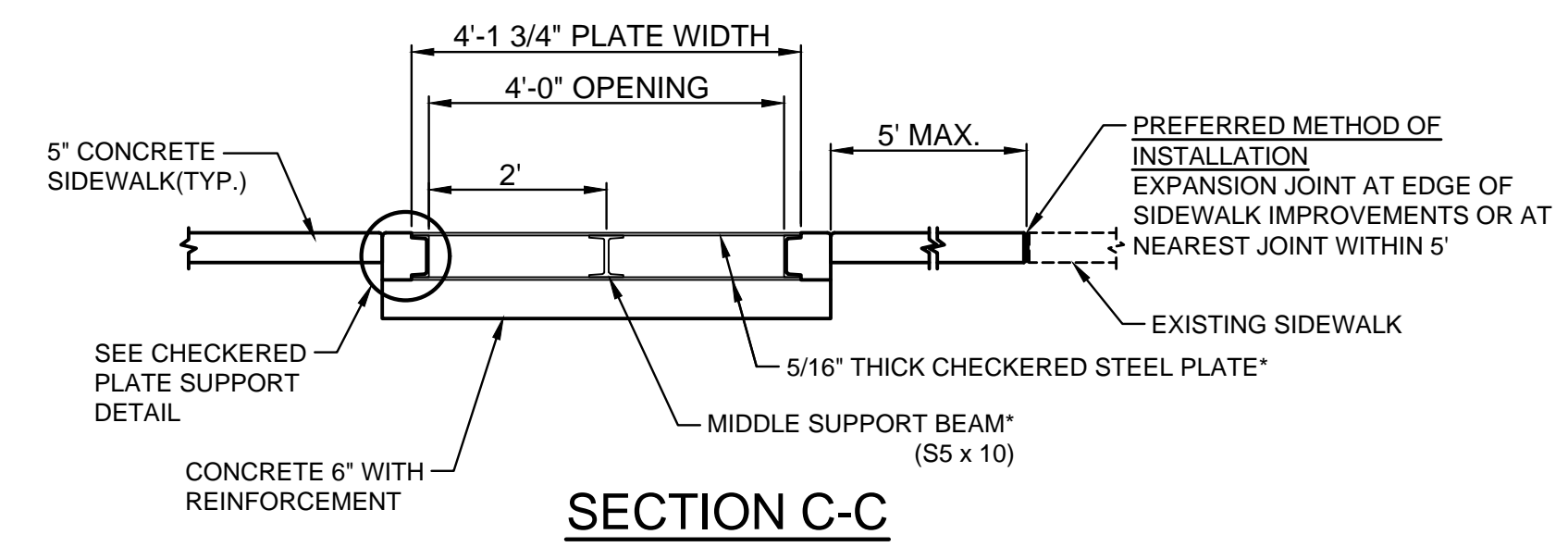
SECTION A-A

TOEWALL DETAIL

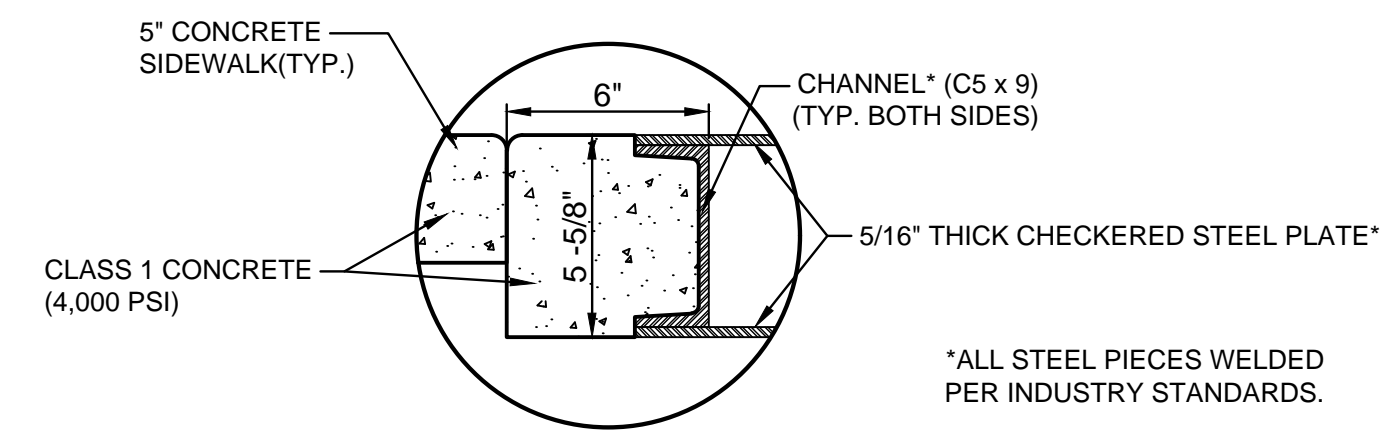
PLAN VIEW



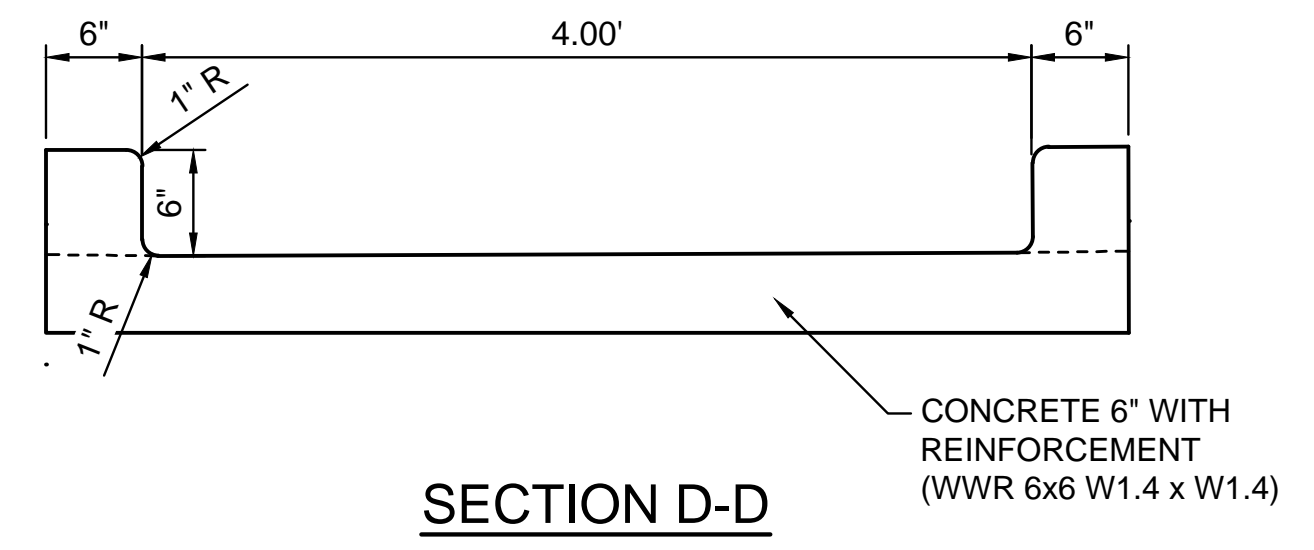
SECTION B-B



SECTION C-C



CHECKERED PLATE SUPPORT DETAIL



SECTION D-D



WEST STREET IMPROVEMENTS
FROM MACARTHUR ROAD TO
47TH ST. SOUTH
CITY OF WICHITA

Issue:	
JOB NO.	210254-001
DATE	OCTOBER 2024
PM	TPA
DESIGNED BY	LGP
DRAWN BY	CP
CHECKED BY	KMS
CONCRETE & SIDEWALK FLUME DETAILS	

SAVED 9/30/2024 11:06:17 AM BY LUKE.PETER
 PLOTTED 10/10/2024 1:38:01 PM BY LUKE.PETER
 U:\WICHITA-CIVIL\2024\210254\001\PEC\DRAWINGS\210254-001 FLUMES.DWG