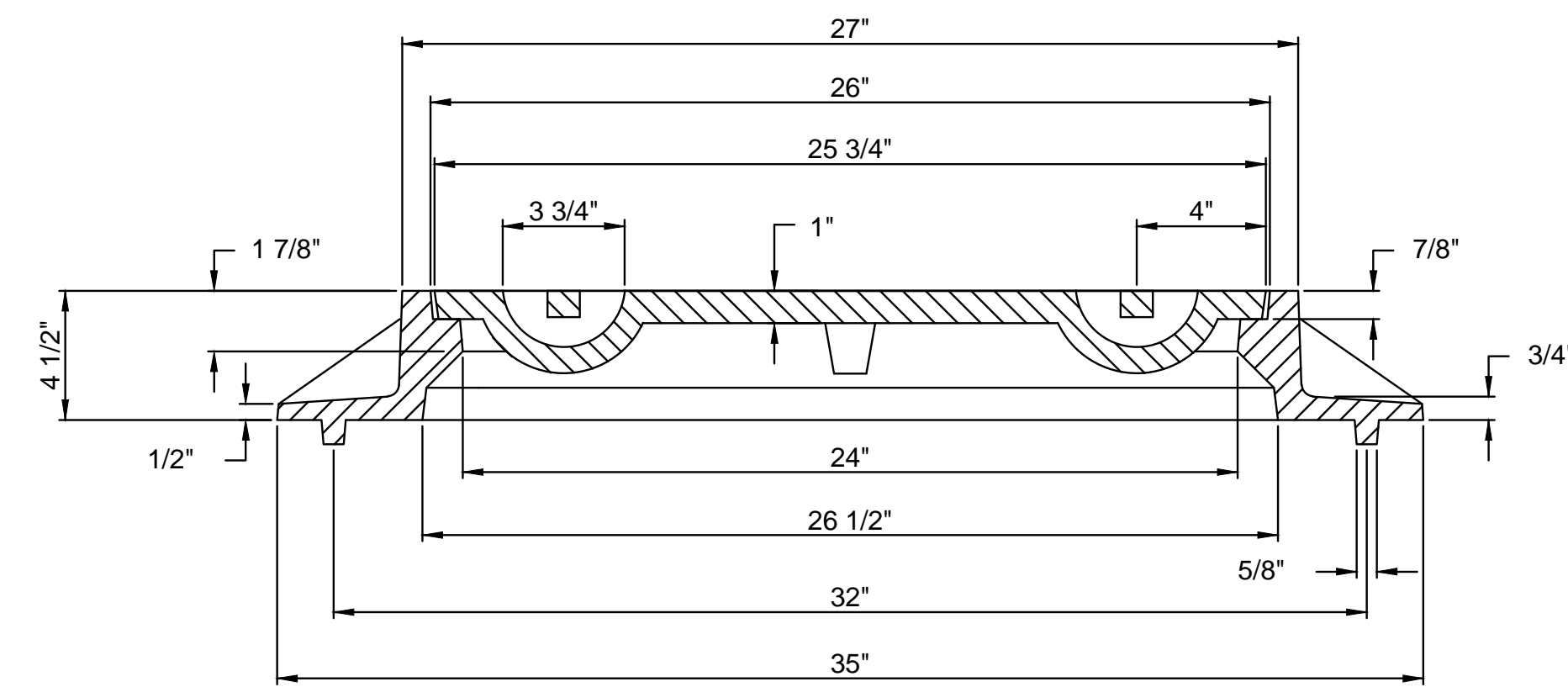
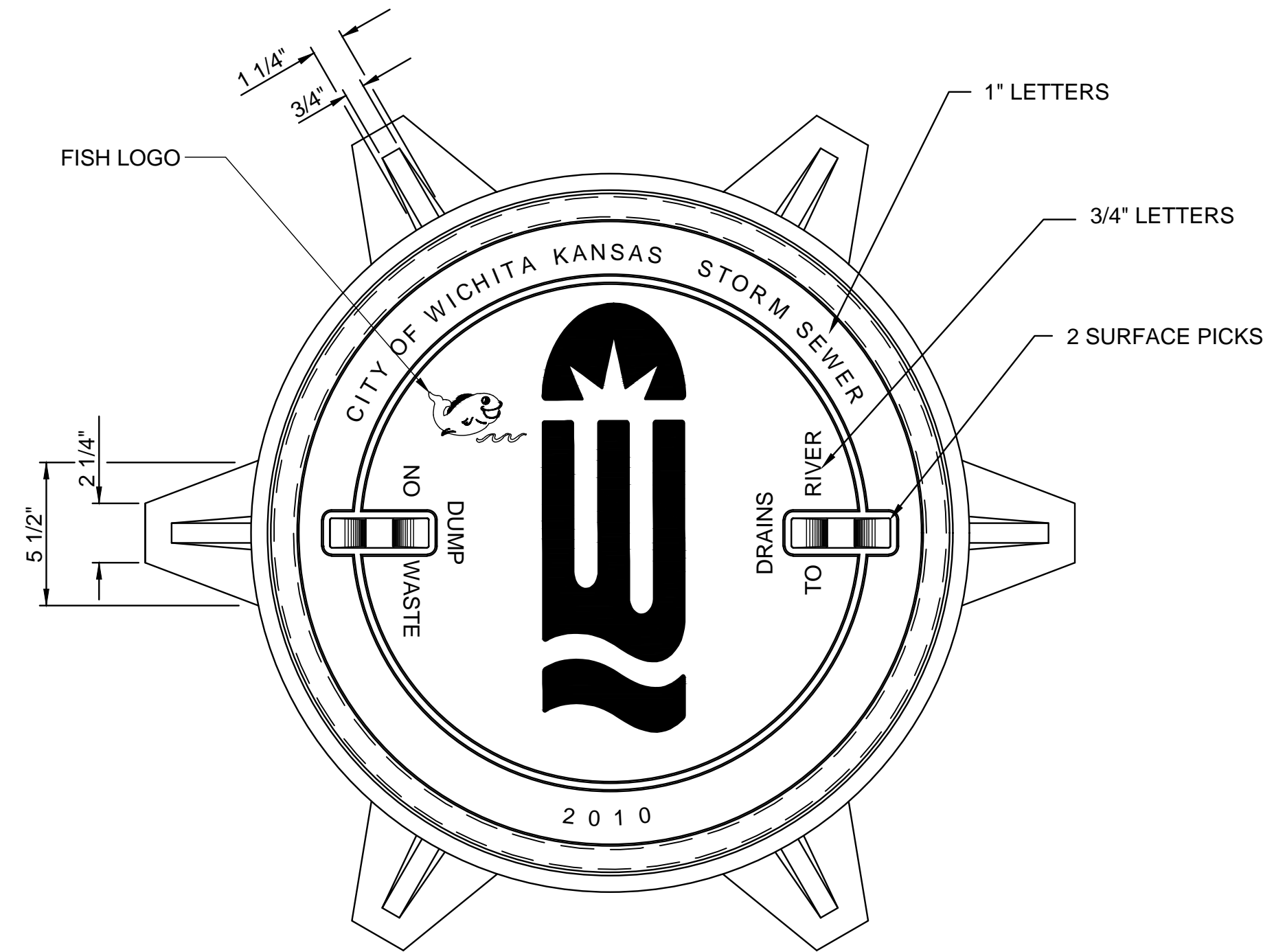


MANHOLE FRAME
DEETER #1261 OR EJIW #1936-Z1

- NOTE:
 1. FURNISHED WITH MACHINED HORIZONTAL BEARING SURFACE.
 2. COVER TO BE DEETER #1261 OR EJIW #1936A.



INLET FRAME
DEETER #2014 OR EJIW #1936-Z4

- NOTE:
 1. FURNISHED WITH MACHINED HORIZONTAL BEARING SURFACES.
 2. NOT TO BE USED UNDER PAVEMENT.
 3. COVER TO BE DEETER #1261 OR EJIW #1936A.

Sheet: 08-28-2024, 8:26:17 AM, by: LUKE PETER, Proj: Sewer, 11_10_2024, 4:48:35 PM, by: LUKE PETER, U:\Wichita-Civil\2024\210254\001\FEC\Drawings\09-210254-001-CU503 MH-INLET FRAME AND COVER DETAILS



| | | |
|--|------------|------------------------------------|
| MANHOLE/INLET FRAME AND COVER (STORM SEWER) | | |
| CITY ENGINEER PAUL GUNZELMAN, P.E. | | |
| PROJECT NUMBER | OCA NUMBER | DATE |
| CITY ENGINEER'S OFFICE CITY HALL - SEVENTH FLOOR 455 NORTH MAIN STREET WICHITA, KANSAS 67202-1620 (316) 268-4501 | | SHEET CU505 81 OF 206 |