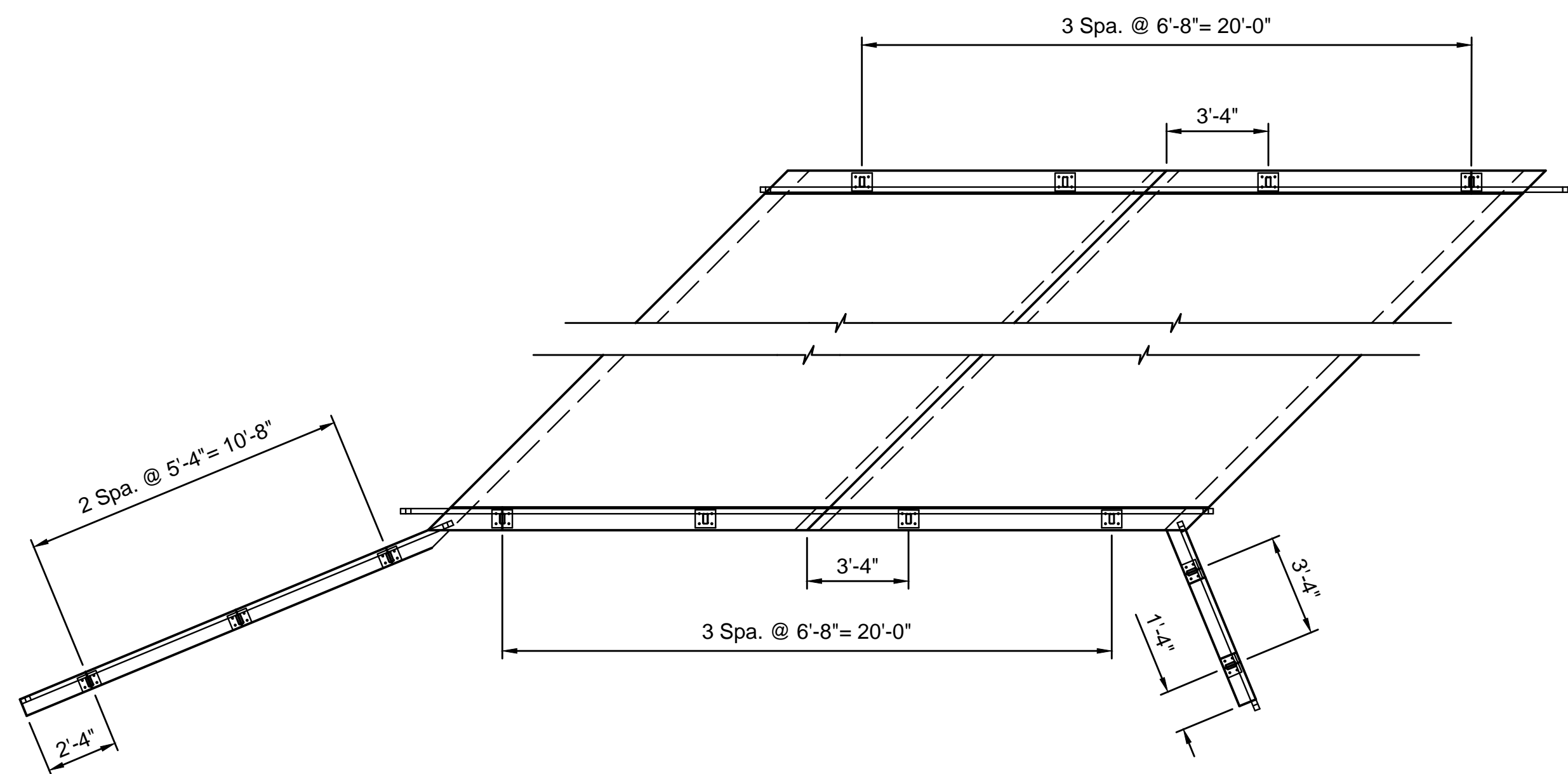


SAVED 10/8/2024 7:49:14 AM BY LUKE.PETER
 PLOTTED 10/10/2024 1:49:26 PM BY LUKE.PETER
 U:\WICHITA-CIVIL\2024\210254\001\PEC\DRAWINGS\210254-001-CB101.DWG



PEDESTRIAN RAIL LAYOUT



WEST STREET IMPROVEMENTS
 FROM MACARTHUR ROAD TO
 47TH ST. SOUTH
 CITY OF WICHITA

| | | |
|--------|--|--|
| Issue: | | |
| | | |
| | | |
| | | |
| | | |
| | | |
| | | |
| | | |
| | | |
| | | |

| | |
|-------------|--------------|
| JOB NO. | 210254-001 |
| DATE | OCTOBER 2024 |
| PM | TPA |
| DESIGNED BY | LGP |
| DRAWN BY | CP |
| CHECKED BY | KMS |

BRIDGE HANDRAIL LAYOUT