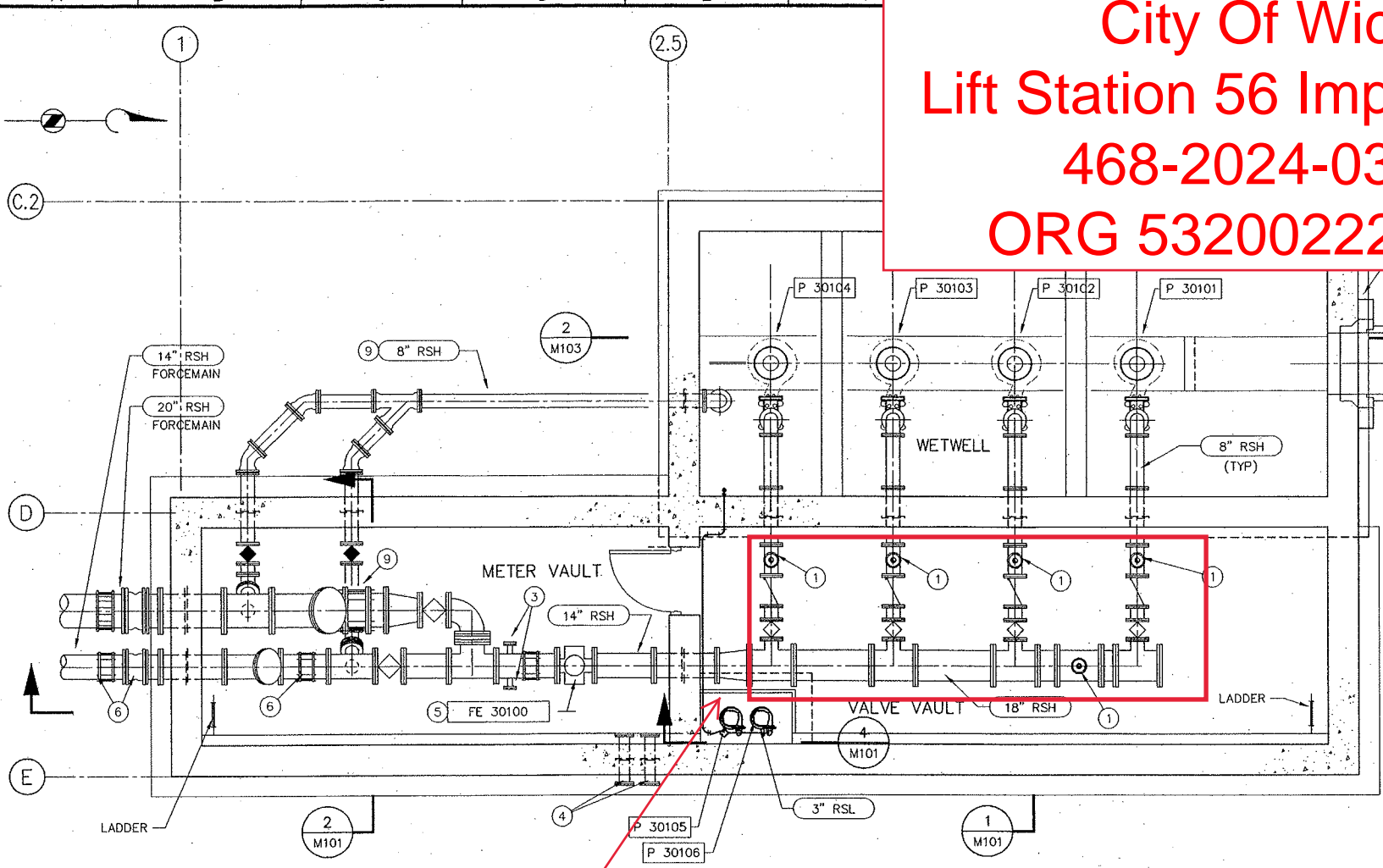
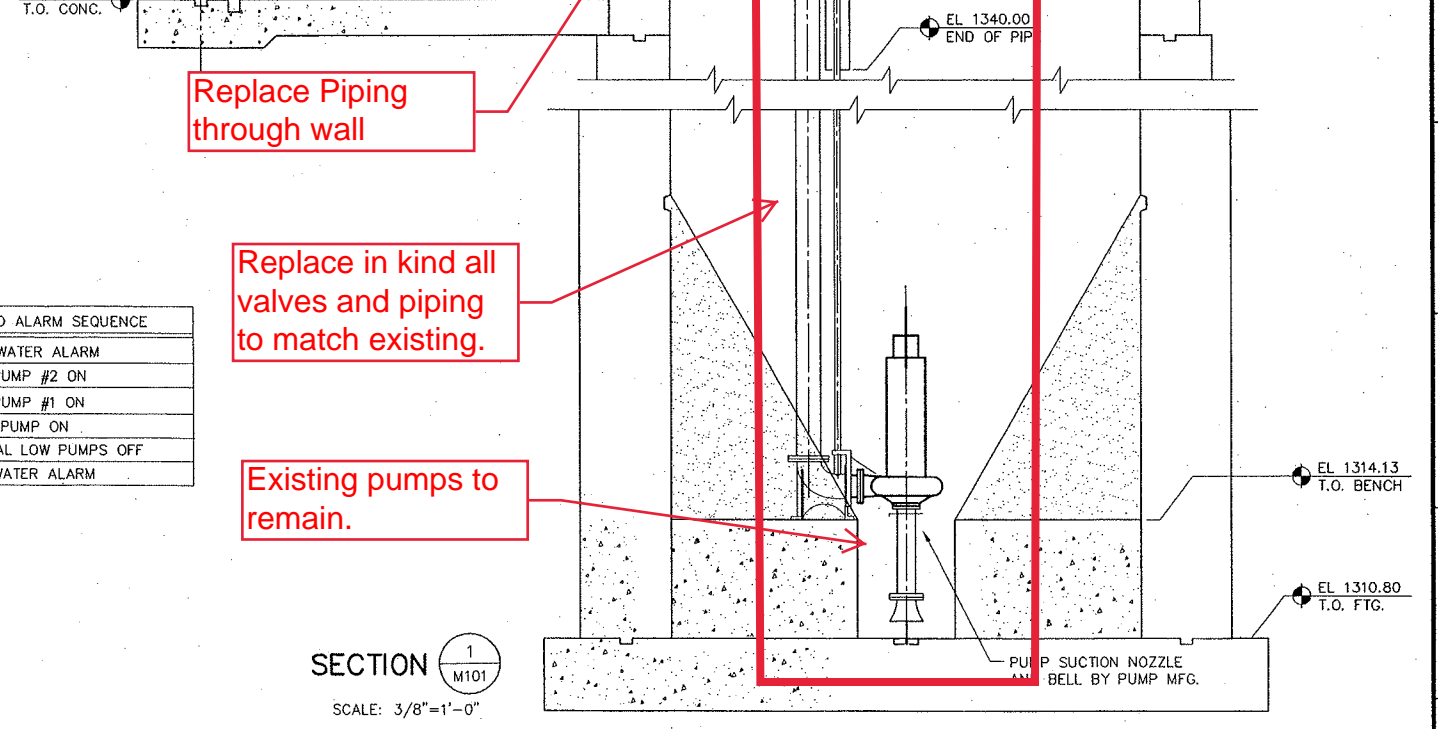
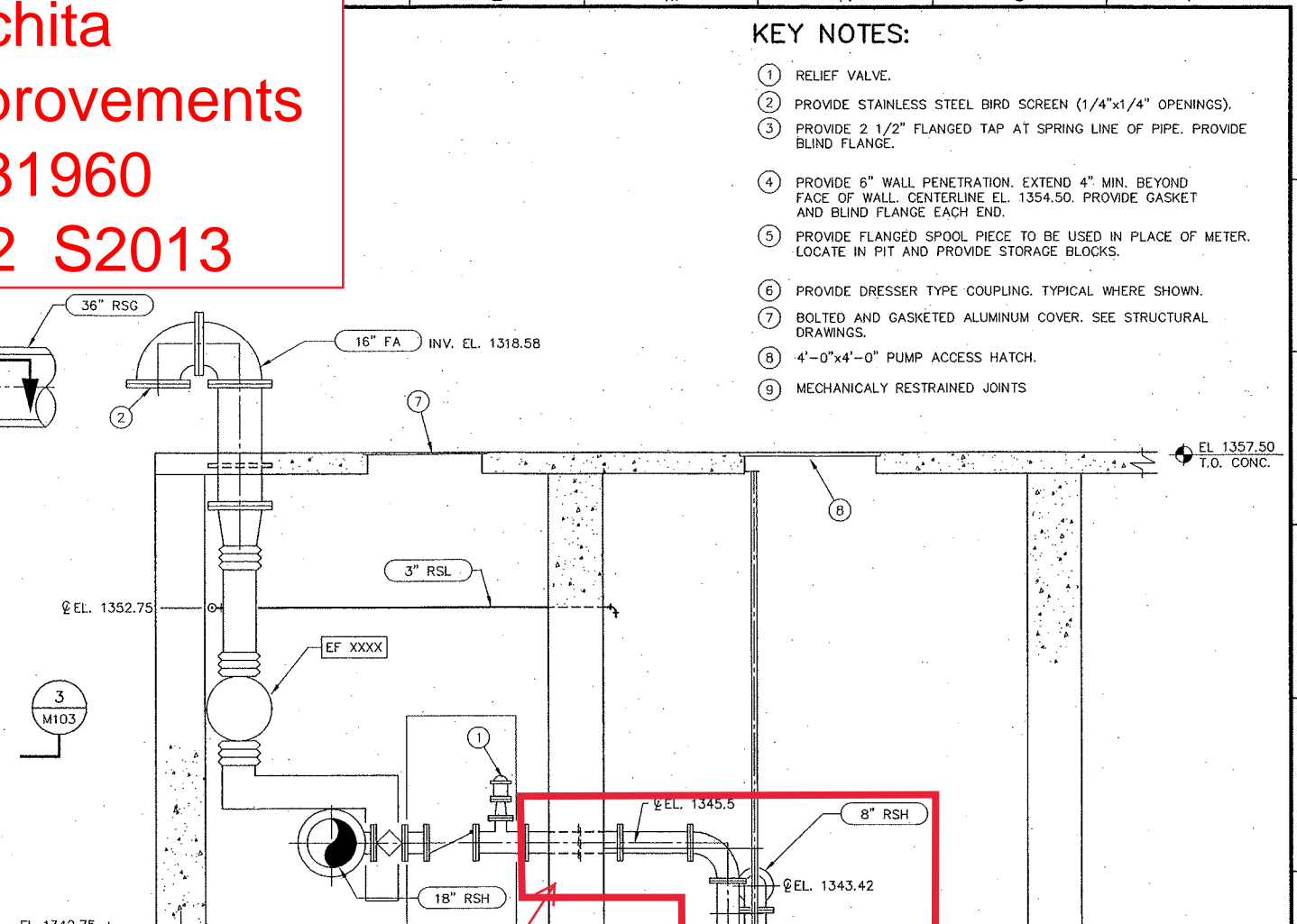


City Of Wichita Lift Station 56 Improvements 468-2024-031960 ORG 53200222 S2013

- KEY NOTES:**
- ① RELIEF VALVE.
 - ② PROVIDE STAINLESS STEEL BIRD SCREEN (1/4"x1/4" OPENINGS).
 - ③ PROVIDE 2 1/2" FLANGED TAP AT SPRING LINE OF PIPE. PROVIDE BLIND FLANGE.
 - ④ PROVIDE 6" WALL PENETRATION. EXTEND 4" MIN. BEYOND FACE OF WALL. CENTERLINE EL. 1354.50. PROVIDE GASKET AND BLIND FLANGE EACH END.
 - ⑤ PROVIDE FLANGED SPOOL PIECE TO BE USED IN PLACE OF METER. LOCATE IN PIT AND PROVIDE STORAGE BLOCKS.
 - ⑥ PROVIDE DRESSER TYPE COUPLING. TYPICAL WHERE SHOWN.
 - ⑦ BOLTED AND GASKETED ALUMINUM COVER. SEE STRUCTURAL DRAWINGS.
 - ⑧ 4'-0"x4'-0" PUMP ACCESS HATCH.
 - ⑨ MECHANICALLY RESTRAINED JOINTS



PLAN AT WETWELL, VALVE VAULT AND METER VAULT
SCALE: 1/4"=1'-0"



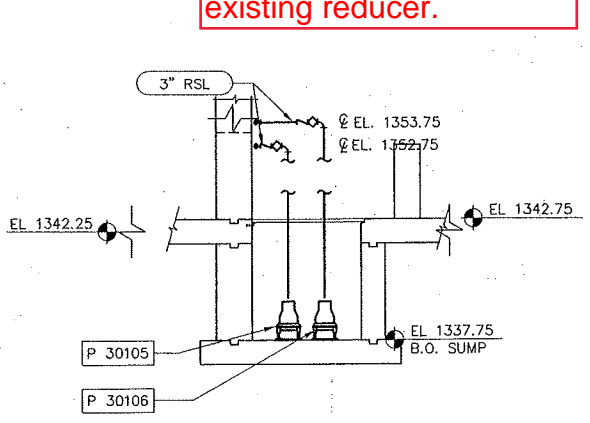
SECTION 1
SCALE: 3/8"=1'-0"

Replace in kind all valves and piping up to the existing reducer.

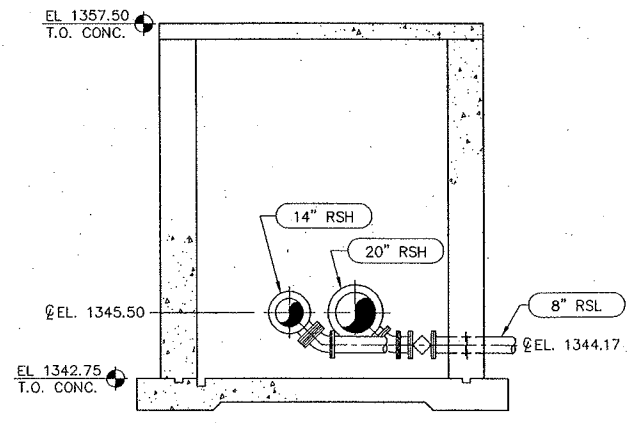
Replace Piping through wall

Replace in kind all valves and piping to match existing.

Existing pumps to remain.



SECTION 4
SCALE: 1/4"=1'-0"



SECTION 2
SCALE: 1/4"=1'-0"

PUMP OPERATION AND ALARM SEQUENCE	
EL. 1321.08	- HIGH WATER ALARM
EL. 1320.48	- LAG PUMP #2 ON
EL. 1320.28	- LAG PUMP #1 ON
EL. 1320.08	- LEAD PUMP ON
EL. 1319.48	- NORMAL LOW PUMPS OFF
EL. 1318.50	- LOW WATER ALARM

BROWN AND CALDWELL
Professional Engineering Consultants
18253
FILE: 18253
DRAWN BY: TDB
DESIGNED BY: DCS
CHECKED BY: DAM
SUBMITTED: DATE: 11/01
APPROVED: DATE: 11/01
APPROVED: DATE:



REVISIONS				
ZONE	REV.	DESCRIPTION	BY	DATE

ISSUED FOR BID

NORTHWEST SEWER
IMPROVEMENTS
MAIN PUMPING STATION
CITY OF WICHITA

MECHANICAL
WETWELL, VALVE VAULT AND METER
VAULT - PLAN AND SECTION

CADFILE: m18253m51
DATE: 11-13-01
OPERATOR: TBreder
DRAWING NO.
M101
SHEET NUMBER
52 OF 79