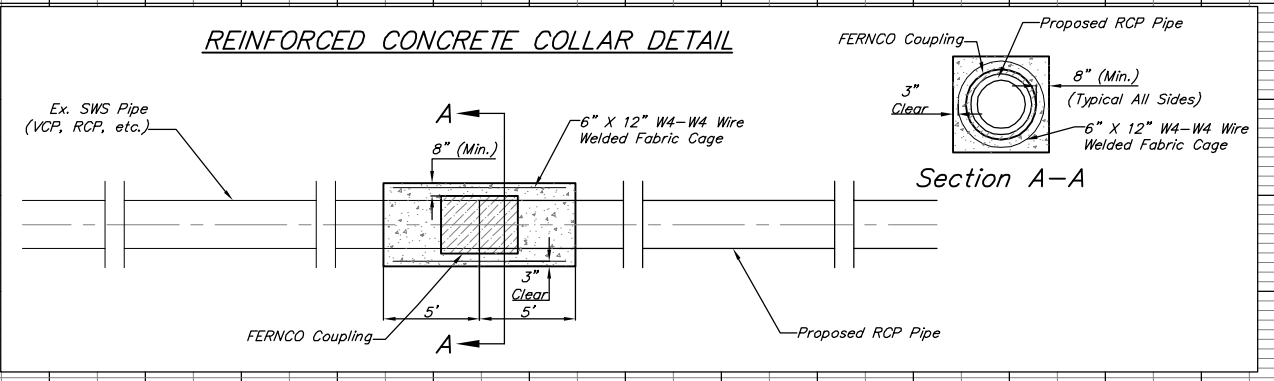
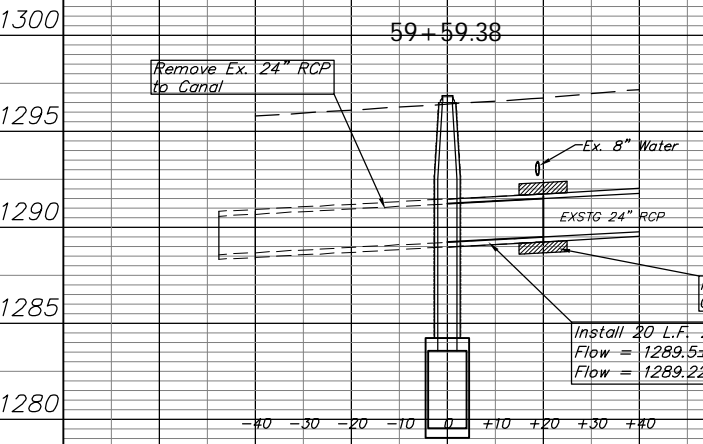
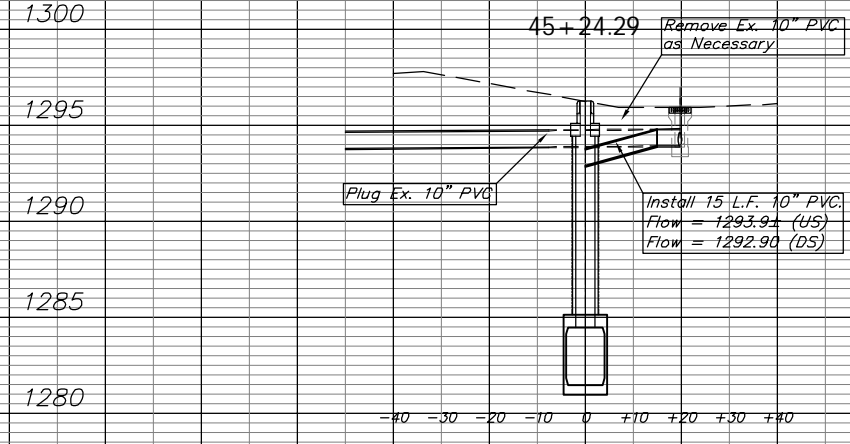
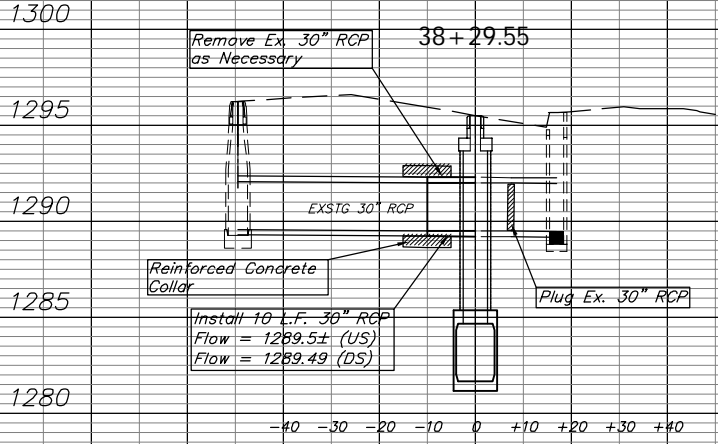
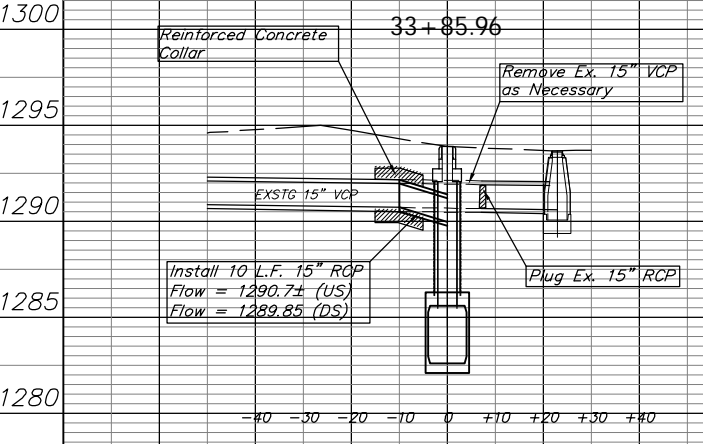
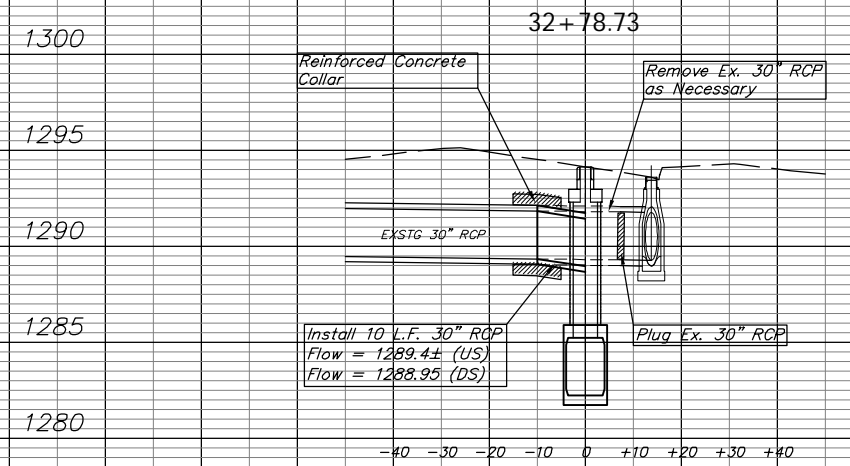
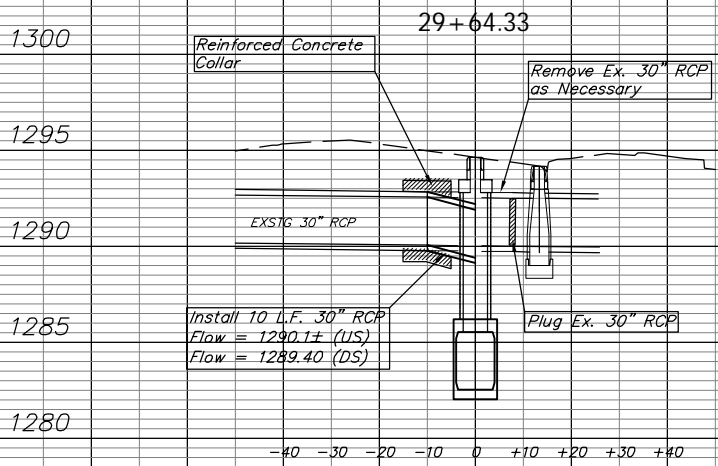
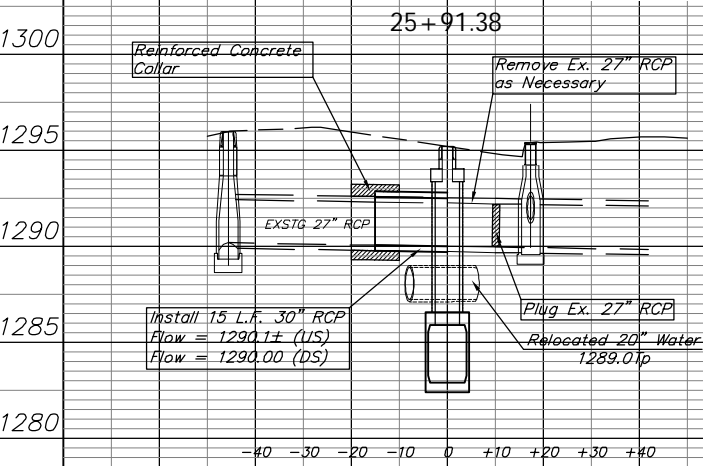


The Connection from the Existing SWS Pipes to the Proposed RCP Pipes shall Require an Appropriately Sized FERNCO Coupling encased with a Minimum of 8" Thick Reinforced Concrete for 5' Either Side of the Proposed Connection. Cost to be INCIDENTAL to the Project. See Detail Below.



Drawing File: E:\eng\Old Town Drainage\Land\dwg\OTD Base.dwg (SWS20)  
 Design: TPV/KK  
 Date: 05/05/2018  
 Project No. 05-05-E258  
 CITY OF WICHITA, KANSAS  
 Approved: TPV  
 Scale: 1:20 H/1:5 V

EX. PIPE CONNECTION DETAILS

**Baughman Company, P.A.**  
 315 Ellis St. Wichita, KS 67211 P 316-262-7271 F 316-262-0149  
 ENGINEERING | SURVEYING | PLANNING | LANDSCAPE ARCHITECTURE